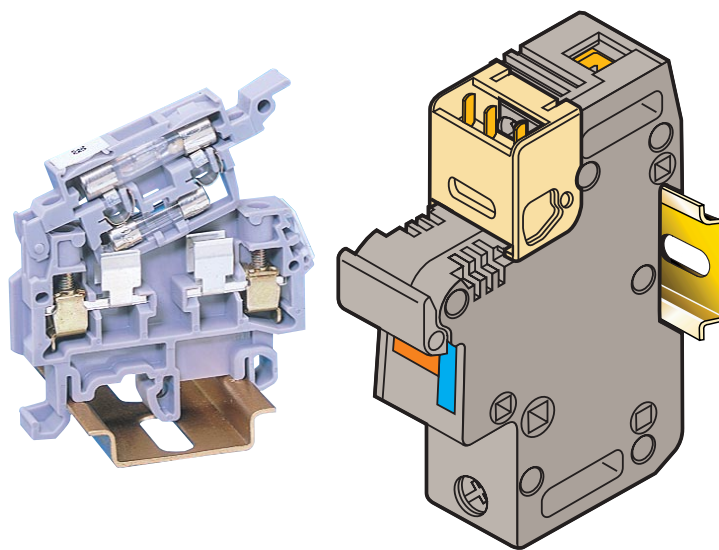


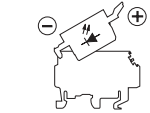
# Fuse holder terminal blocks



# Fuse holder terminal blocks for 5 x 20 mm and 5 x 25 mm fuses

## Compression clamp

DIN 1 - DIN 3



\*Blocks with LED indicator are labeled "+" on the outside of the lever. The indicator can be reversed in the field if required.

\*\* Terminal block with low temperature surfacing :

Storage -60°C  
Use -20°C

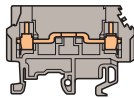
End stop	th. 9,1 mm	<b>BADL</b>	V0	<b>0199 408.02</b>
End stop	th. 9,1 mm	<b>BAM</b>		<b>0103 002.26</b>
Other end stops : See Accessories section				
Rail	35 x 7,5 x 1	<b>PR30</b>	prepunched	<b>0173 220.05</b>
Rail	35 x 15 x 2,3	<b>PR4</b>		<b>0168 500.12</b>
Rail	35 x 15 x 1,5	<b>PR5</b>	prepunched	<b>0101 598.26</b>
Rail	32 x 15	<b>PR122</b>		<b>0163 050.04</b>
Other rails : See Accessories section				

## Notes

The use of some accessories may decrease the block's voltage rating. For more information, consult us.

Block matching fuse terminal block M 4/8.SF for line, fuse applications, see page 137.

Type	Part number
<b>M 4/8</b>	<b>0115 523.07</b>

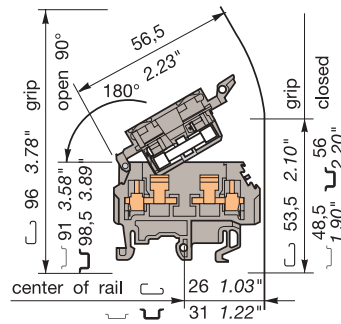


## Accessories

	<b>1</b> End section	grey orange beige	<b>FEM8S</b>	V2	th. 1,5 mm	<b>0116 951.15</b>
	<b>2</b> Test plug		<b>FEM8S</b>	V2	th. 1,5 mm	<b>0103 923.15</b>
	<b>3</b> Comb type jumper bar	35 A	<b>FEM8S</b>	V0	th. 1,5 mm	<b>0196 951.16</b>
	<b>4</b> IDC jumper		<b>PC81</b>		10 poles	<b>0173 523.11</b>
	<b>5</b> Assembly rod		<b>AD2,5</b>		DIA. 2 mm	<b>0114 205.20</b>
	<b>6</b> Assembly ring		<b>TGA8</b>		2 poles 3 poles 4 poles	<b>0168 672.11</b> <b>0168 773.12</b> <b>0168 674.13</b>
	<b>7</b> Fuses 5 x 20 mm	250 V	<b>ANT</b>			<b>0168 675.14</b>
	Fuses 5 x 25 mm	250 V	<b>FU520</b>		5 x 20 0,5 A 1 A 2 A 3,15 A 4 A 5 A	<b>0008 288.15</b> <b>0008 290.13</b> <b>0008 291.00</b> <b>0008 289.16</b> <b>0168 834.24</b> <b>0008 292.01</b>
	Fast fusion HPC 1500 A		<b>FU525</b>		5 x 25 1,6 A 2 A 2,5 A 4 A 6,3 A	<b>0167 546.22</b> <b>0167 547.23</b> <b>0167 548.04</b> <b>0167 549.05</b> <b>0167 550.02</b>
	<b>8</b> Disconnect link bar		<b>CN5</b>			<b>0179 371.16</b>
	<b>R</b> See section on markers marking method					

## M 4/8.SF...

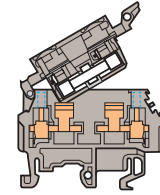
Spacing 8 mm (.315")



Standard 8 mm block.

## M 4/8.SFT

Spacing 8 mm (.315")



M 4/8.SF equipped with two test sockets DIA. 2 mm/.079".

Color	Type	Part numbers
Grey	<b>M 4/8.SF</b>	<b>0115 657.25</b>
Grey **	<b>M 4/8.SF1.TS</b>	<b>0115 658.06</b>
Orange	<b>M 4/8.SF2</b>	<b>0105 135.11</b>
Beige V0	<b>M 4/8.SF.V0</b>	<b>0195 657.26</b>

## Characteristics

Wire size	IEC		UL	CSA
	NFC	DIN		
Compression Solid wire	0,5-4 mm <sup>2</sup>		22-12 AWG	24-12 AWG
clamp Stranded wire	0,5-4 mm <sup>2</sup>		22-12 AWG	24-12 AWG

Voltage			
Rated	630 V (1)	600 V (1)	250 V
Pulse	8 kV		
Pollution degree	3		

Current			
Rated	6,3 A	10 A	10 A

Wire size			
Rated / Gauge	4 mm <sup>2</sup> / A4	12 AWG	12 AWG
Wire stripping length	Recomm. screwdriver	Recomm. torque	Protection
9,5 mm .37"	4 mm .157"	0,5-0,8 Nm 4.4-7 lb.in	IP 20 (2) NEMA 1

## Characteristics

Wire size	IEC		UL	CSA
	NFC	DIN		
Compression Solid wire	0,5-4 mm <sup>2</sup>		22-12 AWG	24-12 AWG
clamp Stranded wire	0,5-4 mm <sup>2</sup>		22-12 AWG	24-12 AWG

Voltage			
Rated	400 V (1)	600 V (1)	250 V
Pulse	4 kV		
Pollution degree	3		

Current			
Rated	6,3 A	6,3 A	10 A

Wire size			
Rated / Gauge	4 mm <sup>2</sup> / A4	12 AWG	12 AWG
Wire stripping length	Recomm. screwdriver	Recomm. torque	Protection
9,5 mm .37"	4 mm .157"	0,5-0,8 Nm 4.4-7 lb.in	IP 20 (2) NEMA 1

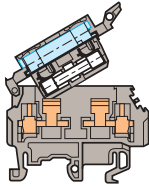
Type	Part numbers	Type	Part numbers
<b>FEM8S</b>	V2 th. 1,5 mm <b>0116 951.15</b>	<b>FEM8S</b>	V2 th. 1,5 mm <b>0116 951.15</b>
<b>FEM8S</b>	V2 th. 1,5 mm <b>0103 923.15</b>	<b>FEM8S</b>	V2 th. 1,5 mm <b>0103 923.15</b>
<b>FEM8S</b>	V0 th. 1,5 mm <b>0196 951.16</b>	<b>FEM8S</b>	V0 th. 1,5 mm <b>0196 951.16</b>
<b>PC81</b>	10 poles <b>0173 523.11</b>	<b>PC81</b>	10 poles <b>0173 523.11</b>
<b>AD2,5</b>	DIA. 2 mm <b>0114 205.20</b>	<b>AD2,5</b>	DIA. 2 mm <b>0114 205.20</b>
<b>TGA8</b>	2 poles <b>0168 672.11</b>	<b>TGA8</b>	2 poles <b>0168 672.11</b>
	3 poles <b>0168 773.12</b>		3 poles <b>0168 773.12</b>
	4 poles <b>0168 674.13</b>		4 poles <b>0168 674.13</b>
<b>ANT</b>		<b>ANT</b>	
<b>FU520</b>	5 x 20 <b>0168 675.14</b>	<b>FU520</b>	5 x 20 <b>0168 675.14</b>
	0,5 A <b>0008 288.15</b>		0,5 A <b>0008 288.15</b>
	1 A <b>0008 290.13</b>		1 A <b>0008 290.13</b>
	2 A <b>0008 291.00</b>		2 A <b>0008 291.00</b>
	3,15 A <b>0008 289.16</b>		3,15 A <b>0008 289.16</b>
	4 A <b>0168 834.24</b>		4 A <b>0168 834.24</b>
	5 A <b>0008 292.01</b>		5 A <b>0008 292.01</b>
<b>FU525</b>	5 x 25 <b>0167 546.22</b>	<b>FU525</b>	5 x 25 <b>0167 546.22</b>
	1,6 A <b>0167 547.23</b>		1,6 A <b>0167 547.23</b>
	2 A <b>0167 548.04</b>		2 A <b>0167 548.04</b>
	2,5 A <b>0167 549.05</b>		2,5 A <b>0167 549.05</b>
	4 A <b>0167 550.02</b>		4 A <b>0167 550.02</b>
	6,3 A <b>0179 371.16</b>		6,3 A <b>0179 371.16</b>
<b>CN5</b>		<b>CN5</b>	

(6) RC610 on grip (17) RC810 on side (6) RC610 on grip (17) RC810 on side

Note : (1) Insulation voltage of terminal block - operating voltage : in accordance with fuse rating.  
(2) Protection index for closed block.

**M 4/8.SF...**

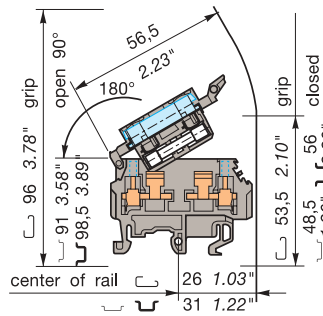
Spacing 8 mm (.315")



M 4/8.SF with blown fuse indicator. Grey body.

**M 4/8.SF...T...**

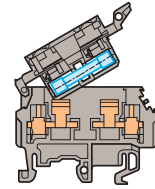
Spacing 8 mm (.315")



M 4/8.SF with blown fuse indicator equipped with 2 test sockets DIA. 2 mm/.079". Grey body.

**M 4/8.SN...**

Spacing 8 mm (.315")



M 4/8.SF with disconnect link bar locked on grey grip.

Color	Type	Part numbers
Neon lamp(3)	<b>M 4/8.SFL</b>	<b>0115 661.21</b>
Diode LED 24 V* (4)	<b>M 4/8.SFD</b>	<b>0115 663.23</b>
Diode LED 48 V* (4)	<b>M 4/8.SFD1</b>	<b>0115 664.24</b>
Diode LED 48 V (4)(5)	<b>M 4/8.SFD2</b>	<b>0115 653.21</b>

Characteristics				
Wire size				
	IEC	UL	CSA	
	NFC DIN			
Compression Solid wire	0,5-4 mm <sup>2</sup>	22-12 AWG	24-12 AWG	
clamp Stranded wire	0,5-4 mm <sup>2</sup>	22-12 AWG	24-12 AWG	

Voltage				
Rated	400 V (1)	600 V (1)	250 V	
Pulse	4 kV			
Pollution degree	3			

Current				
Rated	6,3 A	10 A	10 A	

Wire size				
Rated / Gauge	4 mm <sup>2</sup> / A4	12 AWG	12 AWG	
Wire stripping length	Recomm. screwdriver	Recomm. torque	Protection	
9,5 mm .374"	4 mm .157"	0,5-0,8 Nm 4.4-7 lb.in	IP 20 (2) NEMA 1	

Type	Part numbers		
<b>FEM8S</b> V2 th. 1,5 mm	<b>0116 951.15</b>		
<b>FEM8S</b> V2 th. 1,5 mm	<b>0103 923.15</b>		
<b>FEM8S</b> V0 th. 1,5 mm	<b>0196 951.16</b>		
<b>PC81</b> 35 A 10 poles	<b>0173 523.11</b>		
<b>AD2,5</b> 24 A	<b>0114 205.20</b>		
<b>TGA8</b>	<b>0168 672.11</b>	2 poles	
	<b>0168 773.12</b>	3 poles	
	<b>0168 674.13</b>	4 poles	
<b>ANT</b>	<b>0168 675.14</b>		
<b>FU520</b>		5 x 20	
	<b>0008 288.15</b>	0,5 A	
	<b>0008 290.13</b>	1 A	
	<b>0008 291.00</b>	2 A	
	<b>0008 289.16</b>	3,15 A	
	<b>0168 834.24</b>	4 A	
	<b>0008 292.01</b>	5 A	
<b>FU525</b>		5 x 25	
	<b>0167 546.22</b>	1,6 A	
	<b>0167 547.23</b>	2 A	
	<b>0167 548.04</b>	2,5 A	
	<b>0167 549.05</b>	4 A	
	<b>0167 550.02</b>	6,3 A	

Color	Type	Part numbers
Neon lamp(3)	<b>M 4/8.SFLT</b>	<b>0115 667.27</b>
Diode LED 24 V* (4)	<b>M 4/8.SFDT</b>	<b>0115 665.25</b>
Diode LED 48 V* (4)	<b>M 4/8.SFDT1</b>	<b>0115 666.26</b>

Characteristics				
Wire size				
	IEC	UL	CSA	
	NFC DIN			
Compression Solid wire	0,5-4 mm <sup>2</sup>	22-12 AWG	24-12 AWG	
clamp Stranded wire	0,5-4 mm <sup>2</sup>	22-12 AWG	24-12 AWG	

Voltage				
Rated	400 V (1)	600 V (1)	250 V	
Pulse	4 kV			
Pollution degree	3			

Current				
Rated	6,3 A	10 A	10 A	

Wire size				
Rated / Gauge	4 mm <sup>2</sup> / A4	12 AWG	12 AWG	
Wire stripping length	Recomm. screwdriver	Recomm. torque	Protection	
9,5 mm .374"	4 mm .157"	0,5-0,8 Nm 4.4-7 lb.in	IP 20 (2) NEMA 1	

Type	Part numbers		
<b>FEM8S</b> V2 th. 1,5 mm	<b>0116 951.15</b>		
<b>FEM8S</b> V2 th. 1,5 mm	<b>0103 923.15</b>		
<b>FEM8S</b> V0 th. 1,5 mm	<b>0196 951.16</b>		
<b>FC2</b> DIA. 2 mm	<b>0007 865.22</b>		
<b>PC81</b> 35 A 10 poles	<b>0173 523.11</b>		
<b>AD2,5</b> 24 A	<b>0114 205.20</b>		
<b>TGA8</b>	<b>0168 672.11</b>	2 poles	
	<b>0168 773.12</b>	3 poles	
	<b>0168 674.13</b>	4 poles	
<b>ANT</b>	<b>0168 675.14</b>		
<b>FU520</b>		5 x 20	
	<b>0008 288.15</b>	0,5 A	
	<b>0008 290.13</b>	1 A	
	<b>0008 291.00</b>	2 A	
	<b>0008 289.16</b>	3,15 A	
	<b>0168 834.24</b>	4 A	
	<b>0008 292.01</b>	5 A	
<b>FU525</b>		5 x 25	
	<b>0167 546.22</b>	1,6 A	
	<b>0167 547.23</b>	2 A	
	<b>0167 548.04</b>	2,5 A	
	<b>0167 549.05</b>	4 A	
	<b>0167 550.02</b>	6,3 A	

Color	Type	Part numbers
Grey	<b>M 4/8.SN1</b>	<b>0115 660.04</b>
Orange	<b>M 4/8.SN2</b>	<b>0105 136.12</b>
Beige V0	<b>M 4/8.SN1.V0</b>	<b>0195 660.05</b>

Characteristics				
Wire size				
	IEC	UL	CSA	
	NFC DIN			
Compression Solid wire	0,5-4 mm <sup>2</sup>	22-12 AWG	24-12 AWG	
clamp Stranded wire	0,5-4 mm <sup>2</sup>	22-12 AWG	24-12 AWG	

Voltage				
Rated	630 V	600 V	250 V	
Pulse	8 kV			
Pollution degree	3			

Current				
Rated	6,3 A	10 A	10 A	

Wire size				
Rated / Gauge	4 mm <sup>2</sup> / A4	12 AWG	12 AWG	
Wire stripping length	Recomm. screwdriver	Recomm. torque	Protection	
9,5 mm .374"	4 mm .157"	0,5-0,8 Nm 4.4-7 lb.in	IP 20 (2) NEMA 1	

Type	Part numbers		
<b>FEM8S</b> V2 th. 1,5 mm	<b>0116 951.15</b>		
<b>FEM8S</b> V2 th. 1,5 mm	<b>0103 923.15</b>		
<b>FEM8S</b> V0 th. 1,5 mm	<b>0196 951.16</b>		
<b>PC81</b> 35 A 10 poles	<b>0173 523.11</b>		
<b>AD2,5</b> 24 A	<b>0114 205.20</b>		
<b>TGA8</b>	<b>0168 672.11</b>	2 poles	
	<b>0168 773.12</b>	3 poles	
	<b>0168 674.13</b>	4 poles	
<b>ANT</b>	<b>0168 675.14</b>		

Ⓒ RC610 on grip

Ⓒ RC810 on side

Ⓒ RC610 on grip

Ⓒ RC810 on side

Ⓒ RC610 on grip

Ⓒ RC810 on side

Note : (3) Blown fuse indicator : neon lamp 110-230 V. Leakage current with neon lamp : < 0,5 mA (110 V) / < 0,7 mA (230 V).  
(4) Leakage current with LED 24 or 48 V : < 4,5 mA. (5) Block delivered with - on open side.

# Fuse holder terminal blocks for 5 x 20 mm and 5 x 25 mm fuses

## Compression clamp

DIN 1 - DIN 3

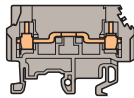
End stop	th. 9,1 mm	<b>BADL</b>	V0	<b>0199 408.02</b>
End stop	th. 9,1 mm	<b>BAM</b>		<b>0103 002.26</b>
<i>Other end stops : See Accessories section</i>				
Rail	35 x 7,5 x 1	<b>PR30</b>	prepunched	<b>0173 220.05</b>
Rail	35 x 15 x 2,3	<b>PR4</b>		<b>0168 500.12</b>
Rail	35 x 15 x 1,5	<b>PR5</b>	prepunched	<b>0101 598.26</b>
Rail	32 x 15	<b>PR122</b>		<b>0163 050.04</b>
<i>Other rails : See Accessories section</i>				

### Notes

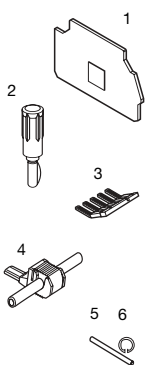
The use of some accessories may decrease the block's voltage rating. For more information, consult us.

Block matching fuse terminal block M 4/8.SF for line, fuse applications, see page 137.

Type	Part number
<b>M 4/8</b>	<b>0115 523.07</b>



### Accessories



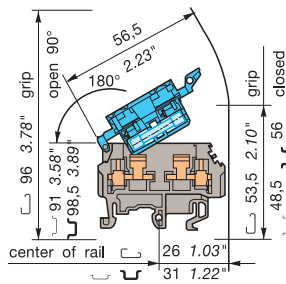
<b>1</b>	End section	grey orange beige
<b>2</b>	Test plug	
<b>3</b>	Comb-type jumper bar	35 A
<b>4</b>	IDC jumper	
<b>5</b>	Assembly rod	
<b>6</b>	Assembly ring	



**R** See section on markers marking method

## M 4/8.SN

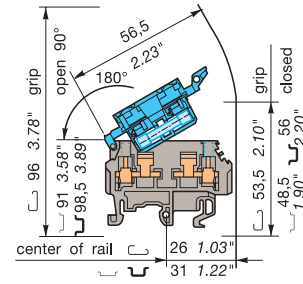
Spacing 8 mm (.315")



M 4/8.SF with disconnect link bar locked on blue grip.

## M 4/8.SNT

Spacing 8 mm (.315")



M 4/8.SF with disconnect link bar locked on blue grip, equipped with 2 test sockets DIA. 2 mm/.079".



Color	Type	Part numbers
Grey body/Blue grip	<b>M 4/8.SN</b>	<b>0115 659.07</b>
Beige body/Blue V0 grip	<b>M 4/8.SN.V0</b>	<b>0195 659.00</b>



Color	Type	Part numbers
Grey body/Blue grip	<b>M 4/8.SNT</b>	<b>0115 668.00</b>
Beige body/Blue V0 grip	<b>M 4/8.SNT.V0</b>	<b>0195 668.01</b>

### Characteristics

Wire size	IEC		UL	CSA
	NFC	DIN		
Compression Solid wire	0,5-4 mm <sup>2</sup>		22-12 AWG	24-12 AWG
clamp Stranded wire	0,5-4 mm <sup>2</sup>		22-12 AWG	24-12 AWG

### Characteristics

Wire size	IEC		UL	CSA
	NFC	DIN		
Compression Solid wire	0,5-4 mm <sup>2</sup>		22-12 AWG	24-12 AWG
clamp Stranded wire	0,5-4 mm <sup>2</sup>		22-12 AWG	24-12 AWG

Voltage			
Rated	630 V (1)	600 V (1)	250 V
Pulse	8 kV		
Pollution degree	3		
Current			
Rated	6,3 A	10 A	10 A

Voltage			
Rated	400 V (1)	600 V (1)	250 V
Pulse	4 kV		
Pollution degree	3		
Current			
Rated	6,3 A	10 A	10 A

Wire size			
Rated / Gauge	4 mm <sup>2</sup> / A4	12 AWG	12 AWG
Wire stripping length	Recomm. screwdriver	Recomm. torque	Protection
9,5 mm .37"	4 mm .157"	0,5-0,8 Nm 4,4-7 lb.in	IP 20 (2) NEMA 1

Wire size			
Rated / Gauge	4 mm <sup>2</sup> / A4	12 AWG	12 AWG
Wire stripping length	Recomm. screwdriver	Recomm. torque	Protection
9,5 mm .37"	4 mm .157"	0,5-0,8 Nm 4,4-7 lb.in	IP 20 (2) NEMA 1

Type	Part numbers
<b>FEM8S</b> V2 th. 1,5 mm	<b>0116 951.15</b>
<b>FEM8S</b> V2 th. 1,5 mm	<b>0103 923.15</b>
<b>FEM8S</b> V0 th. 1,5 mm	<b>0196 951.16</b>
<b>PC81</b> 35 A 10 poles	<b>0173 523.11</b>
<b>AD2,5</b> 24 A	<b>0114 205.20</b>
<b>TGA8</b> 2 poles	<b>0168 672.11</b>
	<b>0168 773.12</b>
	<b>0168 674.13</b>
<b>ANT</b>	<b>0168 675.14</b>

Type	Part numbers
<b>FEM8S</b> V2 th. 1,5 mm	<b>0116 951.15</b>
<b>FEM8S</b> V2 th. 1,5 mm	<b>0103 923.15</b>
<b>FEM8S</b> V0 th. 1,5 mm	<b>0196 951.16</b>
<b>FC2</b> DIA. 2 mm	<b>0007 865.22</b>
<b>PC81</b> 35 A 10 poles	<b>0173 523.11</b>
<b>AD2,5</b> 24 A	<b>0114 205.20</b>
<b>TGA8</b> 2 poles	<b>0168 672.11</b>
	<b>0168 773.12</b>
	<b>0168 674.13</b>
<b>ANT</b>	<b>0168 675.14</b>

⑥ RC610 on lever ⑰ RC810 on side

⑥ RC610 on lever ⑰ RC810 on side

Note : (1) Insulation voltage of terminal block - operating voltage : in accordance with fuse rating.  
(2) Protection index given for closed block.

# Standard terminal blocks

## Compression clamp

DIN 1 - 3

**Note: For terminal block with matching profile to fuse block M 4/8.SF, use M 4/8 shown here.**

End stop	th. 9 mm	<b>BADL V0</b>	<b>0199 408.02</b>
End stop	th. 9,1 mm	<b>BAM</b>	<b>0103 002.26</b>
Rail	35 x 7,5 x 1	<b>PR30</b> prepunched	<b>0173 220.05</b>
Rail	35 x 15 x 2,3	<b>PR4</b>	<b>0168 500.12</b>
Rail	35 x 15 x 1,5	<b>PR5</b> prepunched	<b>0101 598.26</b>
Rail	32 x 15 x 1,5	<b>PR1Z2</b>	<b>0163 050.04</b>

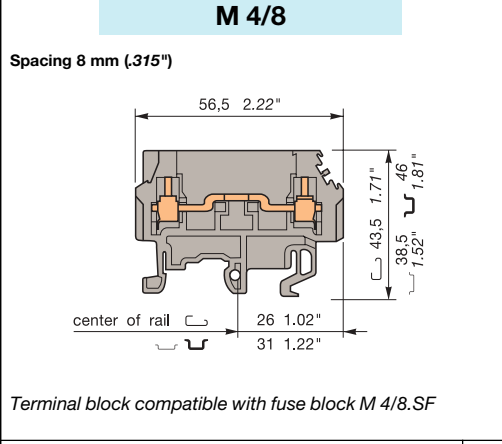
Other end stops and rails : See Accessories section

### Notes

The use of some accessories may decrease the block's voltage rating. For more information, consult us.

### Accessories

	1 End section	grey
	2 Separator end section	grey
	3 Protective cover	beige
	4 Test socket	
	5 Test plug	
	6 Comb type jumper bar	35 A
	7 IDC jumper	
	R	See section on markers marking method



Color	Type	Part number
Grey	M 4/8	0115 523.07

### Characteristics

Wire size	Wire size			
	NFC	DIN	UL	CSA
Compression Solid wire	0,2-4 mm <sup>2</sup>		22-12 AWG	
clamp Stranded wire	0,22-4 mm <sup>2</sup>		22-12 AWG	

Voltage			
Rated	500 V Gr.C	600 V	
Pulse			
Pollution degree			

Current			
Rated	26 A	15 A	

Wire size			
Rated / Gauge	4 mm <sup>2</sup> / A4	12 AWG	
Wire stripping length	Recomm. screwdriver	Recomm. torque	Protection
9,5 mm	4 mm	0,5-0,8 Nm	IP 20
.37"	.16"	4.4-7.1 lb.in	NEMA 1

Type	Part numbers
FEM8S	th. 1,5 mm 0116 951.15
SCFCV3	th. 3,0 mm 0116 796.12
SCFCV3 V0(1) V0	th. 3,0 mm 0196 796.13
CPV3	(for SCFCV3...) 0176 817.13
AL2	DIA. 2,0 mm 0163 070.00
AL3	DIA. 3,0 mm 0163 261.00
FC2	DIA. 2 mm 0007 865.26
PC81	10 poles 0173 523.11
AD2,5	0114 205.20

Note : (1) End sections and circuit separators snapped on rails.

# Fuse holder terminal blocks

## Double-deck

### for 5 x 20 and 5 x 25 mm fuses

#### Compression clamp

 **DIN 1 - DIN 3**

End stop	th. 9,1 mm	<b>BAMH</b>	<b>0114 836.00</b>
<i>Other end stops : See Accessories section</i>			
Rail	35 x 7,5 x 1	<b>PR30</b> prepunched	<b>0173 220.05</b>
Rail	35 x 15 x 2,3	<b>PR4</b>	<b>0168 500.12</b>
Rail	35 x 15 x 1,5	<b>PR5</b> prepunched	<b>0101 598.26</b>
Rail	32 x 15	<b>PR122</b>	<b>0163 050.04</b>
<i>Other rails : See Accessories section</i>			

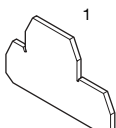
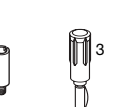
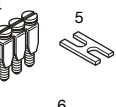
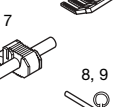
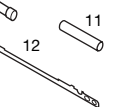
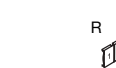
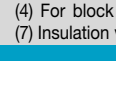
### Notes

The use of some accessories may decrease the block's voltage rating. For more information, consult us.

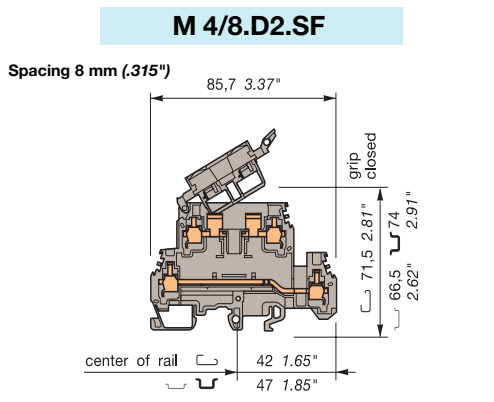
\* Blocks with LED indicator are labeled "+" on the outside of the lever. The indicator can be reversed in the field if required.



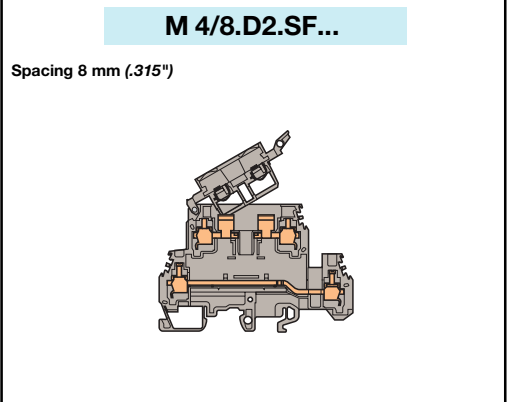
### Accessories

	<b>1</b> End section	grey	<b>FEM8D2S (V2)</b>	<b>0116 913.07</b>
	<b>2</b> Test socket		<b>FEM8D2S (V0)</b>	<b>0196 913.00</b>
	<b>3</b> Test plug		<b>AL2 (1)</b> DIA. 2 mm	<b>0163 043.21</b>
			<b>AL3 (1)</b> DIA. 3 mm	<b>0163 261.00</b>
			<b>AL4 (1)</b> DIA. 4 mm	<b>0163 262.01</b>
	<b>4</b> Assembled jumper bar		<b>FC2 (3)</b> DIA. 2 mm	<b>0007 865.26</b>
	(without IP 20 protection)		<b>FC4 (4)</b> DIA. 4 mm	<b>0167 860.01</b>
	<b>5</b> Connector plate		<b>BJM8 (1)</b> 41 A	<b>0168 520.05</b>
	<b>6</b> Comb-type jumper bar		<b>BJM8 (1)</b> 41 A	<b>0168 521.22</b>
	<b>7</b> IDC jumper		<b>BJM8 (1)</b> 41 A	<b>0168 522.23</b>
	<b>8</b> Assembly rod		<b>BJM8 (1)</b> 41 A	<b>0168 523.24</b>
			<b>BJM8 (1)</b> 41 A	<b>0168 974.00</b>
	<b>9</b> Assembly ring		<b>EL6</b> 35 A	<b>0173 627.21</b>
	<b>10</b> Fuse 5 x 20 mm	250 V	<b>PC81</b> 35 A	10 poles
			<b>AD2,5</b> 24 A	<b>0173 523.11</b>
	<b>11</b> Disconnect link bar		<b>AD2,5</b> 24 A	<b>0114 205.20</b>
	<b>12</b> Shield connector		<b>TGA8</b>	2 poles <b>0168 672.11</b>
				3 poles <b>0168 673.12</b>
				4 poles <b>0168 674.13</b>
			<b>ANT</b>	<b>0168 675.14</b>
			<b>FU520</b>	0,5 A <b>0008 288.15</b>
				1 A <b>0008 290.13</b>
				2 A <b>0008 291.00</b>
				3,15 A <b>0008 289.16</b>
				5 A <b>0008 292.01</b>
			<b>FU525</b>	1,6 A <b>0167 546.22</b>
				2 A <b>0167 547.23</b>
				2,5 A <b>0167 548.04</b>
				4 A <b>0167 549.05</b>
				6,3 A <b>0167 550.02</b>
			<b>CN5</b>	<b>0168 804.07</b>
			<b>CBD2S</b>	<b>0178 408.14</b>



**R** See section on markers marking method






Standard block.



M 4/8.D2.SF with blown fuse indicator. Grey body.

Color	Type	Part numbers
Grey	 <b>M 4/8.D2.SF</b>	<b>0115 604.21</b>
Beige V0	 <b>M 4/8.D2.SF.V0</b>	<b>0195 604.22</b>

Color	Type	Part numbers
Neonlamp110-230V(5)	 <b>M 4/8.D2.SFL</b>	<b>0115 646.22</b>
LED 24 V (6)	 <b>M 4/8.D2.SFD</b>	<b>0115 647.23</b>
LED 48 V (6)	 <b>M 4/8.D2.SFD1</b>	<b>0115 648.04</b>

### Characteristics

Wire size	Wire size		
	IEC	UL	CSA
Compression clamp	Solid wire	0,5-4 mm <sup>2</sup>	24-12 AWG
	Stranded wire	0,5-4 mm <sup>2</sup>	24-12 AWG

### Characteristics

Wire size	Wire size		
	IEC	UL	CSA
Compression clamp	Solid wire	0,5-4 mm <sup>2</sup>	24-12 AWG
	Stranded wire	0,5-4 mm <sup>2</sup>	24-12 AWG

Voltage			
Rated	630 V (7)	300 V (1)	250 V
Pulse	8 kV		
Pollution degree	3		
Current			
Rated	6,3 A	10 A	10 A
Wire size			
Rated / Gauge	4 mm <sup>2</sup> / A4	12 AWG	12 AWG
Wire stripping length		Recomm. screwdriver	Recomm. torque
9,5 mm .37"		4 mm .16"	0,5-0,8 Nm 4,4-7 lb.in
Protection IP 20			

Voltage			
Rated	500 V (7)	300 V (1)	250 V
Pulse	6 kV		
Pollution degree	3		
Current			
Rated	6,3 A	10 A	10 A
Wire size			
Rated / Gauge	4 mm <sup>2</sup> / A4	12 AWG	12 AWG
Wire stripping length		Recomm. screwdriver	Recomm. torque
9,5 mm .37"		4 mm .16"	0,5-0,8 Nm 4,4-7 lb.in
Protection IP 20			

Type	Part numbers
<b>FEM8D2S (V2)</b>	<b>0116 913.07</b>
<b>FEM8D2S (V0)</b>	<b>0196 913.00</b>
<b>AL2 (1)</b> DIA. 2 mm	<b>0163 043.21</b>
<b>AL3 (1)</b> DIA. 3 mm	<b>0163 261.00</b>
<b>AL4 (1)</b> DIA. 4 mm	<b>0163 262.01</b>
<b>FC2 (3)</b> DIA. 2 mm	<b>0007 865.26</b>
<b>FC4 (4)</b> DIA. 4 mm	<b>0167 860.01</b>
<b>BJM8 (1)</b> 41 A	<b>0168 520.05</b>
<b>BJM8 (1)</b> 41 A	<b>0168 521.22</b>
<b>BJM8 (1)</b> 41 A	<b>0168 522.23</b>
<b>BJM8 (1)</b> 41 A	<b>0168 523.24</b>
<b>BJM8 (1)</b> 41 A	<b>0168 974.00</b>
<b>EL6</b> 35 A	<b>0173 627.21</b>
<b>PC81</b> 35 A	10 poles <b>0173 523.11</b>
<b>AD2,5</b> 24 A	<b>0114 205.20</b>
<b>TGA8</b>	2 poles <b>0168 672.11</b>
	3 poles <b>0168 673.12</b>
	4 poles <b>0168 674.13</b>
<b>ANT</b>	<b>0168 675.14</b>
<b>FU520</b>	0,5 A <b>0008 288.15</b>
	1 A <b>0008 290.13</b>
	2 A <b>0008 291.00</b>
	3,15 A <b>0008 289.16</b>
	5 A <b>0008 292.01</b>
<b>FU525</b>	1,6 A <b>0167 546.22</b>
	2 A <b>0167 547.23</b>
	2,5 A <b>0167 548.04</b>
	4 A <b>0167 549.05</b>
	6,3 A <b>0167 550.02</b>
<b>CN5</b>	<b>0168 804.07</b>
<b>CBD2S</b>	<b>0178 408.14</b>

Type	Part numbers
<b>FEM8D2S</b>	<b>0116 913.07</b>
<b>AL2 (1)</b> DIA. 2 mm	<b>0163 043.21</b>
<b>AL3 (1)</b> DIA. 3 mm	<b>0163 261.00</b>
<b>AL4 (1)</b> DIA. 4 mm	<b>0163 262.01</b>
<b>FC2 (3)</b> DIA. 2 mm	<b>0007 865.26</b>
<b>FC4 (4)</b> DIA. 4 mm	<b>0167 860.01</b>
<b>BJM8 (1)</b> 41 A	<b>0168 520.05</b>
<b>BJM8 (1)</b> 41 A	<b>0168 521.22</b>
<b>BJM8 (1)</b> 41 A	<b>0168 522.23</b>
<b>BJM8 (1)</b> 41 A	<b>0168 523.24</b>
<b>BJM8 (1)</b> 41 A	<b>0168 974.00</b>
<b>EL6</b> 35 A	<b>0173 627.21</b>
<b>PC81</b> 35 A	10 poles <b>0173 523.11</b>
<b>AD2,5</b> 24 A	<b>0114 205.20</b>
<b>TGA8</b>	2 poles <b>0168 672.11</b>
	3 poles <b>0168 673.12</b>
	4 poles <b>0168 674.13</b>
<b>ANT</b>	<b>0168 675.14</b>
<b>FU520</b>	0,5 A <b>0008 288.15</b>
	1 A <b>0008 290.13</b>
	2 A <b>0008 291.00</b>
	3,15 A <b>0008 289.16</b>
	5 A <b>0008 292.01</b>
<b>FU525</b>	1,6 A <b>0167 546.22</b>
	2 A <b>0167 547.23</b>
	2,5 A <b>0167 548.04</b>
	4 A <b>0167 549.05</b>
	6,3 A <b>0167 550.02</b>
<b>CBD2S</b>	<b>0178 408.14</b>

(6) RC 610 on grip

(17) RC 810 on side

(6) RC 610 on grip

(17) RC 810 on side

Note: (1) Only for lower deck. (2) Only for upper connection. Use of these accessories requires the user to cut out the partition. (3) For block equipped with test socket AL2. (4) For block equipped with test socket AL4. (5) Leakage current with neon lamp : < 0,5 mA (110 VAC), < 0,7 mA (230 VAC). (6) Leakage current with LED 24 or 48 VDC < 4,5 mA. (7) Insulation voltage of terminal block - operating voltage : in accordance with fuse rating.

### Fuse holder terminal blocks

#### Double-deck

for 5 x 20 and 5 x 25 mm fuses

#### Compression clamp

DIN 1 - DIN 3

With or without blown fuse indicator.

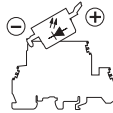
**Note: For terminal block with matching profile to fuse block M 4/8.D2.SF, use M 4/8.D2 shown here.**

End stop	th. 9,1 mm	<b>BAMH</b>	<b>0114 836.00</b>
Other end stops : See Accessories section			
Rail	35 x 7,5 x 1	<b>PR30</b> prepunched	<b>0173 220.05</b>
Rail	35 x 15 x 2,3	<b>PR4</b>	<b>0168 500.12</b>
Rail	35 x 15 x 1,5	<b>PR5</b> prepunched	<b>0101 598.26</b>
Rail	32 x 15	<b>PR122</b>	<b>0163 050.04</b>
Other rails : See Accessories section			

#### Notes

The use of some accessories may decrease the block's voltage rating. For more information, consult us.

\* Blocks with LED indicator are labeled "+" on the outside of the lever. The indicator can be reversed in the field if required.



#### Accessories

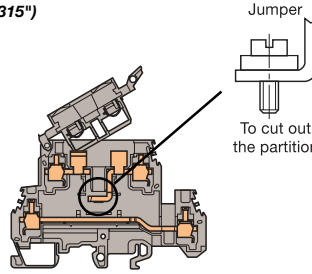
	<b>1</b> End section	grey	<b>FEM8D2S</b>	<b>0116 913.07</b>
	<b>2</b> Test socket		<b>AL2</b> (1)	DIA. 2 mm <b>0163 043.21</b>
	<b>3</b> Test plug		<b>AL3</b> (1)	DIA. 3 mm <b>0163 261.00</b>
	<b>4</b> Assembled jumper bar	(without IP 20 protection)	<b>AL4</b> (1)	DIA. 4 mm <b>0163 262.01</b>
	<b>5</b> Connector plate		<b>FC2</b> (3)	DIA. 2 mm <b>0007 865.26</b>
	<b>6</b> Comb-type jumper bar		<b>FC4</b> (4)	DIA. 4 mm <b>0167 860.01</b>
	<b>7</b> Assembly rod		<b>BJM8</b> (1)	41 A <b>0168 520.05</b>
	<b>8</b> Assembly ring		<b>BJM8</b> (1)	41 A <b>0168 521.22</b>
	<b>9</b> Fuse 5 x 20 mm	250 V	<b>BJM8</b> (1)	41 A <b>0168 522.23</b>
	<b>10</b> Disconnect link bar		<b>BJM8</b> (1)	41 A <b>0168 523.24</b>
	<b>11</b> Shield connector		<b>BJM8</b> (1)	41 A <b>0168 974.00</b>
	<b>12</b> Jumper bar not assembled		<b>EL6</b>	35 A <b>0173 627.21</b>
	<b>13</b> Screw for BJS		<b>PC81</b>	35 A 10 poles <b>0173 523.11</b>
	<b>R</b> See markers section method		<b>TGA8</b>	2 poles <b>0168 672.11</b>
				3 poles <b>0168 673.12</b>
				4 poles <b>0168 674.13</b>
			<b>ANT</b>	<b>0168 675.14</b>
			<b>FU520</b>	0,5 A <b>0008 288.15</b>
				1 A <b>0008 290.13</b>
				2 A <b>0008 291.00</b>
				3,15 A <b>0008 289.16</b>
				5 A <b>0008 292.01</b>
			<b>FU525</b>	1,6 A <b>0167 546.22</b>
				2 A <b>0167 547.23</b>
				2,5 A <b>0167 548.04</b>
				4 A <b>0167 549.05</b>
				6,3 A <b>0167 550.02</b>
			<b>CN5</b>	<b>0168 804.07</b>
			<b>CBD2S</b>	<b>0178 408.14</b>
			<b>BJS8</b> (2)	41 A 20 poles <b>0174 789.05</b>
			<b>EV6</b>	<b>0168 604.16</b>
			<b>VJS11</b> (2)	<b>0163 394.26</b>

Note: (6) RC 610 on lever (17) RC 810 on side

Note: (1) These accessories can be used on the lower connection only. (2) These accessories can be used on the upper connection only. Use of these accessories requires the user to cut out the partition. (3) For block equipped with test socket AL2. (4) For block equipped with test socket AL4. (5) Leakage current with neon lamp: < 0,5 mA (110 VAC), < 0,7 mA (230 VAC). (6) Leakage current with LED 24 or 48 VDC : < 4,5 mA. (7) Insulation voltage of terminal block - operating voltage : in accordance with fuse rating.

### M 4/8.D2.SF...

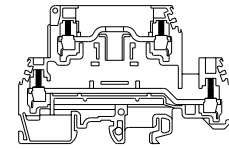
Spacing 8 mm (.315")



M 4/8.D2.SF with\* or without blown fuse indicator. Internal jumpering option. Grey body.

### M 4/8.D2

Spacing 8 mm (.315")



Terminal block compatible with fuse block M 4/8.D2.SF

--	--

Color	Type	Part numbers	Color	Type	Part numbers
Grey	<b>M 4/8.D2.SFJ</b>	<b>0115 692.11</b>	Grey	<b>M 4/8.D2</b>	<b>0360 004.05</b>
Blocks with blown fuse indicator :					
	Neon lamp 110-220 V* (5)	<b>M 4/8.D2.SFLJ</b>			<b>0115 649.05</b>
	LED 24 V* (6)	<b>M 4/8.D2.SFDJ</b>			<b>0115 650.02</b>
	LED 48 V* (6)	<b>M 4/8.D2.SFDJ1</b>			<b>0115 651.27</b>

All characteristics are equal to the M 4/8.D2.SF







Characteristics				Characteristics			
Wire size				Wire size			
		IEC	UL	IEC		UL	CSA
		NFC	DIN	NFC	DIN		CSA
Compression clamp	Solid wire	0,5-4 mm <sup>2</sup>	24-12 AWG				
	Stranded wire	0,5-4 mm <sup>2</sup>	24-12 AWG				

Voltage				Voltage			
Rated		500 V (7)	300 V (7)	250 V			
Pulse		6 kV					
Pollution degree		3					
Current				Current			
Rated		6,3 A	10 A	10 A			
Wire size				Wire size			
Rated / Gauge		4 mm <sup>2</sup> / A4	12 AWG	12 AWG			
Wire stripping length	Recommended screwdriver	Recommended torque	Protection	Wire stripping length	Recommended screwdriver	Recommended torque	Protection
9,5 mm .374"	4 mm .157"	0,5-0,8 Nm 4,4-7 lb.in	IP 20				

# Fuse holder terminal block with screwed plug for 5 x 20 mm or 5 x 25 mm fuses

## Compression clamp

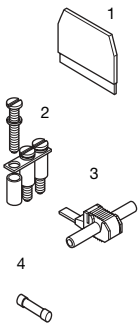
 **DIN 1 - DIN 3**

End stop		th. 9,1 mm	<b>BADL</b>	V0	<b>0199 408.02</b>
End stop		th. 9,1 mm	<b>BAM</b>		<b>0103 002.26</b>
<i>Other end stops : See Accessories section</i>					
Rail		35 x 7,5 x 1	<b>PR30</b>	prepunched	<b>0173 220.05</b>
Rail		35 x 15 x 2,3	<b>PR4</b>		<b>0168 500.12</b>
Rail		35 x 15 x 1,5	<b>PR5</b>	prepunched	<b>0101 598.26</b>
Rail		32 x 15	<b>PR1Z2</b>		<b>0163 050.04</b>
<i>Other rails : See Accessories section</i>					

### Notes

The use of some accessories may decrease the block's voltage rating. For more information, consult us.

### Accessories



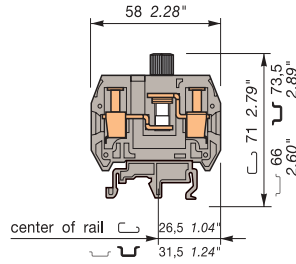
<b>1</b>	End section	grey
<b>2</b>	Standard jumper bar	57 A
<b>3</b>	IDC jumper	
<b>4</b>	Fuse 5 x 20 mm	250 V
	Fuse 5 x 25 mm	250 V
	Fast acting HPC 1500 A	



**R** See section on markers marking method

## MB 10/12.SF...

Spacing 12 mm (.473")



12 mm block, no blown fuse indicator - for 5 x 20 mm or 5 x 25 mm fuses



Color	Type	Part numbers
Grey/5x20 mm	<b>MB 10/12.SF</b>	<b>0111 033.03</b>
Grey/5x25 mm	<b>MB 10/12.SF1</b>	<b>0111 035.05</b>

### Characteristics

Wire size	NFC DIN		UL	CSA
	Compression Solid wire	0,5-16 mm <sup>2</sup>		18-6 AWG
clamp Stranded wire	0,5-10 mm <sup>2</sup>		18-6 AWG	18-6 AWG

### Voltage

Rated	500 V Gr.C (1)	600 V (1)	250 V
Pulse			
Pollution degree			

### Current

Rated	10 A	15 A	15 A
-------	------	------	------

### Wire size

Rated / Gauge	10 mm <sup>2</sup>	6 AWG	6 AWG
Wire stripping length	Recomm. screwdriver	Recomm. torque	Protection
13 mm .512"	6 mm .236"	1,2-1,4 Nm 10.6-12.3 lb.in	IP 10

### Type Part numbers

<b>FEM12S</b>	V2	th. 3 mm	<b>0117 628.22</b>
<b>BJS12 (2)</b>		20 poles	<b>0177 653.07</b>
<b>Screw for BJS</b>			<b>0163 574.22</b>
<b>Washer for BJS</b>			<b>0163 633.25</b>
<b>AD2,5</b>			<b>0114 205.20</b>
<b>FU520</b>	0,5 A		<b>0008 288.15</b>
	1 A		<b>0008 290.13</b>
	2 A		<b>0008 291.00</b>
	3,15 A		<b>0008 289.16</b>
	5 A		<b>0008 292.01</b>
<b>FU525</b>	1,6 A		<b>0167 546.22</b>
	2 A		<b>0167 547.23</b>
	2,5 A		<b>0167 548.04</b>
	4 A		<b>0167 549.05</b>
	6,3 A		<b>0167 550.02</b>

⑥ Sides of block

Note : (1) Insulation voltage of terminal block - operating voltage : in accordance with fuse rating.  
(2) Use of these accessories requires the user to cut out the partition.



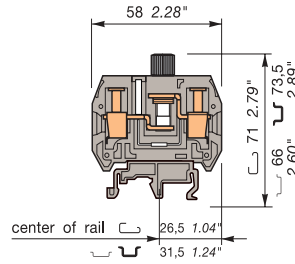
# Fuse holder terminal block with screwed plug for 5 x 20 mm fuses

## Compression clamp

 **DIN 1 - DIN 3**

### MB 10/12.SF...

Spacing 12 mm (.473")





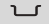
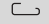


12 mm block with neon blown fuse indicator for fuses 5 x 20 mm.



Color	Type	Part numbers
Grey/110-220V (2)	<b>MB 10/12.SFL</b>	<b>0111 034.04</b>
Grey/LED 24 V (3)	<b>MB 10/12.SFD</b>	<b>0111 037.07</b>

### Characteristics

End stop		th. 9,1 mm	<b>BADL</b>	V0	<b>0199 408.02</b>
End stop		th. 9,1 mm	<b>BAM</b>		<b>0103 002.26</b>
<i>Other end stops : See Accessories section</i>					
Rail		35 x 7,5 x 1	<b>PR30</b>	prepunched	<b>0173 220.05</b>
Rail		35 x 15 x 2,3	<b>PR4</b>		<b>0168 500.12</b>
Rail		35 x 15 x 1,5	<b>PR5</b>	prepunched	<b>0101 598.26</b>
Rail		32 x 15	<b>PR1Z2</b>		<b>0163 050.04</b>
<i>Other rails : See Accessories section</i>					

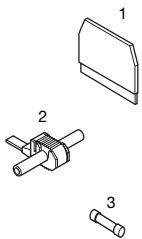
Wire size	Wire size			
	NFC	DIN	UL	CSA
Compression Solid wire	0,5-16 mm <sup>2</sup>		18-6 AWG	18-6 AWG
clamp Stranded wire	0,5-10 mm <sup>2</sup>		18-6 AWG	18-6 AWG

Voltage			
Rated	500 V Gr.C (1)	600 V (1)	250(SFL) 24(SFD)
Pulse			
Pollution degree			
Current			
Rated	10 A	15 A	15 A
Wire size			
Rated / Gauge	10 mm <sup>2</sup>	6 AWG	6 AWG
Wire stripping length	Recomm. screwdriver	Recomm. torque	Protection
13 mm .512"	6 mm .236"	1,2-1,4 Nm 10.6-12.3 lb.in	IP 10

### Notes

The use of some accessories may decrease the block's voltage rating. For more information, consult us.

### Accessories



<b>1</b>	End section	grey
<b>2</b>	IDC jumper	
<b>3</b>	Fuse 5 x 20 mm	250 V

Type				Part numbers
<b>FEM12S</b>	V2	th. 3 mm		<b>0117 628.22</b>
<b>AD2,5</b>	24 A			<b>0114 205.20</b>
<b>FU520</b>		0,5 A		<b>0008 288.15</b>
		1 A		<b>0008 290.13</b>
		2 A		<b>0008 291.00</b>
		3,15 A		<b>0008 289.16</b>
		5 A		<b>0008 292.01</b>



**R** See section on markers marking method







⑥ Sides of block

Note : (1) Insulation voltage of terminal block - operating voltage : in accordance with fuse rating.  
(2) Max. leakage current : 1,8 mA  
(3) Max. leakage current : 5,2 mA

### Fuse holder terminal blocks for 5 x 20 mm and 5 x 25 mm fuses

#### Compression clamp











 **DIN 1 - DIN 3**

End stop		th. 9,1 mm	<b>BADL</b>	V0	<b>0199 408.02</b>
End stop		th. 9,1 mm	<b>BAM</b>		<b>0103 002.26</b>
<i>Other end stops : See Accessories section</i>					
Rail		35 x 7,5 x 1	<b>PR30</b>	prepunched	<b>0173 220.05</b>
Rail		35 x 15 x 2,3	<b>PR4</b>		<b>0168 500.12</b>
Rail		35 x 15 x 1,5	<b>PR5</b>	prepunched	<b>0101 598.26</b>
Rail		32 x 15	<b>PR122</b>		<b>0163 050.04</b>
<i>Other rails : See Accessories section</i>					

#### Notes

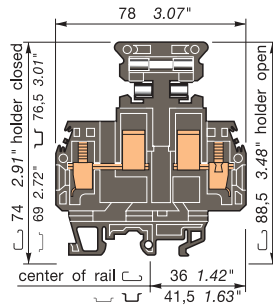
The use of some accessories may decrease the block's voltage rating. For more information, consult us.

#### Accessories

	<b>1</b> End section	black	<b>FEM13U</b>	V0	th. 1,5 mm	<b>0199 635.24</b>
	<b>2</b> Test plug		<b>FC2</b>		DIA. 2 mm	<b>0007 865.26</b>
	<b>3</b> Test socket		<b>FC4</b>		DIA. 4 mm	<b>0167 860.01</b>
	<b>4</b> Standard jumper bar		<b>AL2</b>		DIA. 2 mm	<b>0163 043.21</b>
	<b>5</b> Screw for <b>BJ</b>		<b>AL3</b>		DIA. 3 mm	<b>0163 261.00</b>
	<b>6</b> Washer for <b>BJ</b>		<b>AL4</b>		DIA. 4 mm	<b>0163 262.01</b>
	<b>7</b> Fuse 5 x 20	250 V	<b>BJS131</b>		10 poles	<b>0175 991.11</b>
	<b>8</b> Blown fuse indicator		<b>VJS11</b>			<b>0163 394.26</b>
	<b>9</b> Comb-type jumper bar	70 A	<b>RDJ11</b>			<b>0168 783.01</b>
	Fuse 5 x 25	250 V	<b>FU520</b>	0,5 A		<b>0008 288.15</b>
	Fast acting HPC 1500 A			1 A		<b>0008 290.13</b>
				2 A		<b>0008 291.00</b>
				3,15 A		<b>0008 289.16</b>
				5 A		<b>0008 292.01</b>
			<b>FU525</b>	1,6 A		<b>0167 546.22</b>
				2 A		<b>0167 547.23</b>
				2,5 A		<b>0167 548.04</b>
				4 A		<b>0167 549.05</b>
				6,3 A		<b>0167 550.02</b>
			<b>LEN</b>	Neon	110 - 230 VAC	<b>0165 075.25</b>
				Neon	480 VAC	<b>0103 909.00</b>
				Leakage current with neon indicator < 0,5 mA (110 & 480 VAC) < 0,7 mA (230 VAC)		
			<b>PC 13</b>		10 poles	<b>0173 510.20</b>
				LED	24 VDC	<b>0178 469.10</b>
				Max. leakage current = 5.2mA		
	<b>R</b> See section on markers marking method					

### MU 10/13.SF1

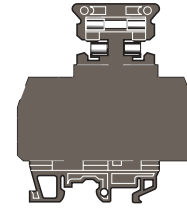
Spacing 13 mm (.512")



13 mm block for blown fuse indicator (to be ordered separately).


### MU 10/14,5.SF1

Spacing 14,5 mm (.570")




14,5 mm block for blown fuse indicator (to be ordered separately).



Color	Type	Part numbers
Black V0	 <b>MU 10/13.SF1</b>	<b>0199 012.17</b>



Color	Type	Part numbers
Black V0	 <b>MU 10/14,5.SF1</b>	<b>0199 011.16</b>

#### Characteristics

Wire size	NFC DIN		UL	CSA
	Compression Solid wire	0,5-16 mm <sup>2</sup>	22-10 AWG	6 AWG max.
clamp Stranded wire	0,5-10 mm <sup>2</sup>	22-10 AWG	6 AWG max.	

Voltage			
Rated	750 V Gr.C (1)	600 V (1)	600 V (1)
Pulse			
Pollution degree			
Current			
Rated	16 A	16 A	16 A
Wire size			
Rated / Gauge	10 mm <sup>2</sup>	10 AWG	6 AWG
Wire stripping length	Recomm. screwdriver	Recomm. torque	Protection
12 mm	5,5 mm	1,2-1,4 Nm	IP 20
.47"	.22"	10.6-12.3 lb.in	NEMA 1

#### Characteristics

Wire size	NFC DIN		UL	CSA
	Compression Solid wire	0,5-16 mm <sup>2</sup>	22-10 AWG	6 AWG max.
clamp Stranded wire	0,5-10 mm <sup>2</sup>	22-10 AWG	6 AWG max.	

Voltage			
Rated	750 V Gr.C (1)	600 V (1)	600 V (1)
Pulse			
Pollution degree			
Current			
Rated	16 A	16 A	16 A
Wire size			
Rated / Gauge	10 mm <sup>2</sup>	10 AWG	6 AWG
Wire stripping length	Recomm. screwdriver	Recomm. torque	Protection
12 mm	5,5 mm	1,2-1,4 Nm	IP 20
.47"	.22"	10.6-12.3 lb.in	NEMA 1

Type	Part numbers
<b>FEM13U</b> V0 th. 1,5 mm	<b>0199 635.24</b>
<b>FC2</b> DIA. 2 mm	<b>0007 865.26</b>
<b>FC4</b> DIA. 4 mm	<b>0167 860.01</b>
<b>AL2</b> DIA. 2 mm	<b>0163 043.21</b>
<b>AL3</b> DIA. 3 mm	<b>0163 261.00</b>
<b>AL4</b> DIA. 4 mm	<b>0163 262.01</b>
<b>BJS131</b> 10 poles	<b>0175 991.11</b>
<b>VJS11</b>	<b>0163 394.26</b>
<b>RDJ11</b>	<b>0168 783.01</b>
<b>FU520</b> 0,5 A	<b>0008 288.15</b>
1 A	<b>0008 290.13</b>
2 A	<b>0008 291.00</b>
3,15 A	<b>0008 289.16</b>
5 A	<b>0008 292.01</b>
2 A	<b>0167 547.23</b>
2,5 A	<b>0167 548.04</b>
4 A	<b>0167 549.05</b>
6,3 A	<b>0167 550.02</b>
<b>LEN</b> Neon 110 - 230 VAC	<b>0165 075.25</b>
Neon 480 VAC	<b>0103 909.00</b>
Leakage current with neon indicator < 0,5 mA (110 & 480 VAC) < 0,7 mA (230 VAC)	
<b>PC 13</b> 10 poles	<b>0173 510.20</b>
LED 24 VDC	<b>0178 469.10</b>
Max. leakage current = 5.2mA	

Type	Part numbers
<b>FC2</b> closed block delivered with plate DIA. 2 mm	<b>0007 865.26</b>
<b>FC4</b> DIA. 4 mm	<b>0167 860.01</b>
<b>AL2</b> DIA. 2 mm	<b>0163 043.21</b>
<b>AL3</b> DIA. 3 mm	<b>0163 261.00</b>
<b>AL4</b> DIA. 4 mm	<b>0163 262.01</b>
<b>FU520</b> 0,5 A	<b>0008 288.15</b>
1 A	<b>0008 290.13</b>
2 A	<b>0008 291.00</b>
3,15 A	<b>0008 289.16</b>
5 A	<b>0008 292.01</b>
<b>FU525</b> 1,6 A	<b>0167 546.22</b>
2 A	<b>0167 547.23</b>
2,5 A	<b>0167 548.04</b>
4 A	<b>0167 549.05</b>
6,3 A	<b>0167 550.02</b>
<b>LEN</b> Neon 110 - 230 VAC	<b>0165 075.25</b>
Neon 480 VAC	<b>0103 909.00</b>
Leakage current with neon indicator < 0,5 mA (110 & 480 VAC) < 0,7 mA (230 VAC)	
LED 24 VDC	<b>0178 469.10</b>
Max. leakage current = 5.2mA	

Note : (1) Insulation voltage of terminal block - operating voltage : In accordance with fuse rating.

### Fuse holder terminal blocks for 6,35 x 25,4 mm 1/4 x 1 in. and 6,35 x 32 mm 1/4 x 1 1/4 in. fuses

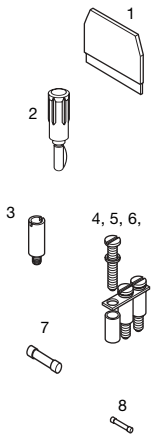
Compression clamp  
DIN 1 - DIN 3

End stop	th. 9,1 mm	<b>BADL</b>	V0	<b>0199 408.02</b>
End stop	th. 9,1 mm	<b>BAM</b>		<b>0103 002.26</b>
Other end stops : See Accessories section				
Rail	35 x 7,5 x 1	<b>PR30</b>	prepunched	<b>0173 220.05</b>
Rail	35 x 15 x 2,3	<b>PR4</b>		<b>0168 500.12</b>
Rail	35 x 15 x 1,5	<b>PR5</b>	prepunched	<b>0101 598.26</b>
Rail	32 x 15	<b>PR122</b>		<b>0163 050.04</b>
Other rails : See Accessories section				

#### Notes

The use of some accessories may decrease the block's voltage rating. For more information, consult us.

#### Accessories

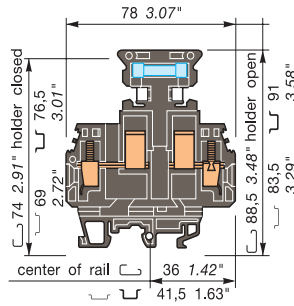


<b>1</b>	End section	black
<b>2</b>	Test plug	
<b>3</b>	Test socket	
<b>4</b>	Standard jumper bar	
<b>5</b>	Screw for <b>BJ</b>	
<b>6</b>	Washer for <b>BJ</b>	
<b>7</b>	Fuse 6,35 x 32 mm	Quick blow fuse cartridge as per UTE 93435
<b>8</b>	Blown fuse indicator	

**R** See section on markers marking method

### MU 10/13.SF2

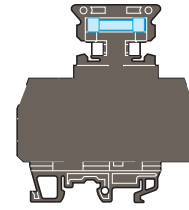
Spacing 13 mm (.512")



13 mm block for blown fuse indicator (to be ordered separately).

### MU 10/14,5.SF2

Spacing 14,5 mm (.570")



14,5 mm block for blown fuse indicator (to be ordered separately).



Color	Type	Part numbers
Black V0	<b>MU 10/13.SF2</b>	<b>0199 014.11</b>



Color	Type	Part numbers
Black V0	<b>MU 10/14,5.SF2</b>	<b>0199 013.10</b>

#### Characteristics

Wire size	NFC DIN			UL		CSA
	Compression	Solid wire	0,5-16 mm <sup>2</sup>	22-10 AWG	6 AWG max.	
clamp	Stranded wire	0,5-10 mm <sup>2</sup>	22-10 AWG	6 AWG max.		

#### Voltage

Rated	750 V Gr.C (1)	600 V (1)	600 V (1)
Pulse			
Pollution degree			

#### Current

Rated	16 A	16 A	16 A
-------	------	------	------

#### Wire size

Rated / Gauge	10 mm <sup>2</sup>	10 AWG	6 AWG
Wire stripping length	Recomm. screwdriver	Recomm. torque	Protection
12 mm	5,5 mm	1,2-1,4 Nm	IP 20
.47"	.22"	10.6-12.3 lb.in	NEMA 1

#### Characteristics

Wire size	NFC DIN			UL		CSA
	Compression	Solid wire	0,5-16 mm <sup>2</sup>	22-10 AWG	6 AWG max.	
clamp	Stranded wire	0,5-10 mm <sup>2</sup>	22-10 AWG	6 AWG max.		

#### Voltage

Rated	750 V Gr.C (1)	600 V (1)	600 V (1)
Pulse			
Pollution degree			

#### Current

Rated	16 A	16 A	16 A
-------	------	------	------

#### Wire size

Rated / Gauge	10 mm <sup>2</sup>	10 AWG	6 AWG
Wire stripping length	Recomm. screwdriver	Recomm. torque	Protection
12 mm	5,5 mm	1,2-1,4 Nm	IP 20
.47"	.22"	10.6-12.3 lb.in	NEMA 1

#### Accessories

Type	Part numbers
<b>FEM13U</b> V0 th. 1,5 mm	<b>0199 635.24</b>
<b>FC2</b> DIA. 2 mm	<b>0007 865.26</b>
<b>FC4</b> DIA. 4 mm	<b>0167 860.01</b>
<b>AL2</b> DIA. 2 mm	<b>0163 043.21</b>
<b>AL3</b> DIA. 3 mm	<b>0163 261.00</b>
<b>AL4</b> DIA. 4 mm	<b>0163 262.01</b>
<b>BJS131</b> 10 poles	<b>0175 991.11</b>
<b>VJS11</b>	<b>0163 394.26</b>
<b>RDJ11</b>	<b>0168 783.01</b>
<b>FU633</b> 6,35 x 32	
0,25 A	<b>0168 554.03</b>
0,63 A	<b>0168 555.04</b>
1 A	<b>0168 556.05</b>
1,6 A	<b>0168 557.06</b>
2,5 A	<b>0168 558.17</b>
4 A	<b>0168 559.10</b>
6,3 A	<b>0168 560.15</b>
10 A	<b>0168 561.02</b>
16 A	<b>0168 562.03</b>
<b>LEN</b> Neon 110 - 230 VAC	<b>0165 075.25</b>
Neon 480 VAC	<b>0103 909.00</b>
Leakage current with neon indicator	
< 0,5 mA (110 & 480 VAC)	
< 0,7 mA (230 VAC)	

#### Accessories

Type	Part numbers
delivered with the block	
<b>FC2</b> DIA. 2 mm	<b>0007 865.26</b>
<b>FC4</b> DIA. 4 mm	<b>0167 860.01</b>
<b>AL2</b> DIA. 2 mm	<b>0163 043.21</b>
<b>AL3</b> DIA. 3 mm	<b>0163 261.00</b>
<b>AL4</b> DIA. 4 mm	<b>0163 262.01</b>
<b>FU633</b> 6,35 x 32	
0,25 A	<b>0168 554.03</b>
0,63 A	<b>0168 555.04</b>
1 A	<b>0168 556.05</b>
1,6 A	<b>0168 557.06</b>
2,5 A	<b>0168 558.17</b>
4 A	<b>0168 559.10</b>
6,3 A	<b>0168 560.15</b>
10 A	<b>0168 561.02</b>
16 A	<b>0168 562.03</b>
<b>LEN</b> Neon 110 - 230 VAC	<b>0165 075.25</b>
Neon 480 VAC	<b>0103 909.00</b>
Leakage current with neon indicator	
< 0,5 mA (110 & 480 VAC)	
< 0,7 mA (230 VAC)	

LED 24 VDC **0178 469.10**

Max. leakage current = 5.2mA


(11) (17) Sides of block (26)







Note : (1) Insulation voltage of terminal block - operating voltage : In accordance with fuse rating.

(11) (17) Sides of block (26)

# Switch terminal blocks with neutral cartridge

## Compression clamp

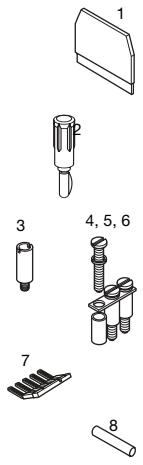
 **DIN 1 - DIN 3**

End stop		th. 9,1 mm	<b>BADL</b>	V0	<b>0199 408.02</b>
End stop		th. 9,1 mm	<b>BAM</b>		<b>0103 002.26</b>
<i>Other end stops : See Accessories section</i>					
Rail		35 x 7,5 x 1	<b>PR30</b>	prepunched	<b>0173 220.05</b>
Rail		35 x 15 x 2,3	<b>PR4</b>		<b>0168 500.12</b>
Rail		35 x 15 x 1,5	<b>PR5</b>	prepunched	<b>0101 598.26</b>
Rail		32 x 15	<b>PR1Z2</b>		<b>0163 050.04</b>
<i>Other rails : See Accessories section</i>					

### Notes

The use of some accessories may decrease the block's voltage rating. For more information, consult us.

### Accessories

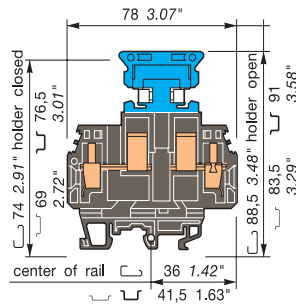


<b>1</b>	End section	black
<b>2</b>	Test plug	
<b>3</b>	Test socket	
<b>4</b>	Standard jumper bar	57 A
<b>5</b>	Screw for <b>BJS</b>	
<b>6</b>	Washer for <b>BJS</b>	
<b>7</b>	Comb-type jumper bar	70 A
<b>8</b>	Neutral cartridge	

**R** See section on markers marking method

## MU 10/13.SN3

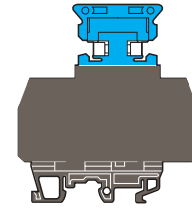
Spacing 13 mm (.512")



13 mm block with neutral cartridge locked on blue holder.


## MU 10/14,5.SN3


Spacing 14,5 mm (.570")



14,5 mm block with neutral cartridge locked on blue holder.



Color	Type	Part numbers
Black/Blue V0	 <b>MU 10/13.SN3</b>	<b>0199 021.10</b>

Color	Type	Part numbers
Black/Blue V0	 <b>MU 10/14,5.SN3</b>	<b>0199 015.12</b>

### Characteristics

Wire size	NFC DIN			UL		CSA	
	Compression	Solid wire	0,5-16 mm <sup>2</sup>	22-10 AWG	6 AWG max.	6 AWG max.	6 AWG max.
clamp	Stranded wire	0,5-10 mm <sup>2</sup>	22-10 AWG	6 AWG max.	6 AWG max.		

### Characteristics

Wire size	NFC DIN		UL		CSA	
	Compression	Solid wire	0,5-16 mm <sup>2</sup>	22-10 AWG	6 AWG max.	6 AWG max.
clamp	Stranded wire	0,5-10 mm <sup>2</sup>	22-10 AWG	6 AWG max.	6 AWG max.	

Voltage			
Rated	750 V Gr.C	600 V	600 V
Pulse			
Pollution degree			
Current			
Rated	16 A	6 A	16 A
Wire size			
Rated / Gauge	10 mm <sup>2</sup>	10 AWG	6 AWG
Wire stripping length	Recomm. screwdriver	Recomm. torque	Protection
12 mm .47"	5,5 mm .22"	1,2-1,4 Nm 10.6-12.3 lb.in	IP 20 NEMA 1

Voltage			
Rated	750 V Gr.C	600 V	600 V
Pulse			
Pollution degree			
Current			
Rated	16 A	6 A	16 A
Wire size			
Rated / Gauge	10 mm <sup>2</sup>	10 AWG	6 AWG
Wire stripping length	Recomm. screwdriver	Recomm. torque	Protection
12 mm .47"	5,5 mm .22"	1,2-1,4 Nm 10.6-12.3 lb.in	IP 20 NEMA 1

Type	Part numbers
<b>FEM13U</b> V0 th. 1,5 mm	<b>0199 635.24</b>
<b>FC2</b> DIA. 2 mm	<b>0007 865.26</b>
<b>FC4</b> DIA. 4 mm	<b>0167 860.01</b>
<b>AL2</b> DIA. 2 mm	<b>0163 043.21</b>
<b>AL3</b> DIA. 3 mm	<b>0163 261.00</b>
<b>AL4</b> DIA. 4 mm	<b>0163 262.01</b>
<b>BJS131</b> 10 poles	<b>0175 991.11</b>
<b>VJS11</b>	<b>0163 394.26</b>
<b>RDJ11</b>	<b>0168 783.01</b>
<b>PC13</b> 10 poles	<b>0173 510.20</b>
<b>CN</b>	<b>0173 582.15</b>

Type	Part numbers
delivered with the block	
<b>FC2</b> DIA. 2 mm	<b>0007 865.26</b>
<b>FC4</b> DIA. 4 mm	<b>0167 860.01</b>
<b>AL2</b> DIA. 2 mm	<b>0163 043.21</b>
<b>AL3</b> DIA. 3 mm	<b>0163 261.00</b>
<b>AL4</b> DIA. 4 mm	<b>0163 262.01</b>
<b>CN</b>	<b>0173 582.15</b>

(11) (17) Sides of block (26)

(11) (17) Sides of block (26)

# Fuse holder terminal blocks

for 6,35 x 25,4 mm 1/4 x 1 in.  
and 6,35 x 32 mm 1/4 x 1 1/4 in. fuses

Compression clamp  
DIN 1 - DIN 3

- End stop th. 9,1 mm **BADL** V0 **0199 408.02**
- End stop th. 9,1 mm **BAM** **0103 002.26**
- Other end stops : See Accessories section
- Rail 35 x 7,5 x 1 **PR30** prepunched **0173 220.05**
- Rail 35 x 15 x 2,3 **PR4** **0168 500.12**
- Rail 35 x 15 x 1,5 **PR5** prepunched **0101 598.26**
- Rail 32 x 15 **PR122** **0163 050.04**
- Other rails : See Accessories section

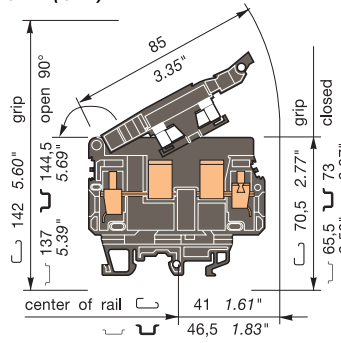
**Notes**  
The use of some accessories may decrease the block's voltage rating. For more information, consult us.

## Accessories

- |  |   |
|--|---|
|  | <ul style="list-style-type: none"> <li><b>1</b> End section black</li> <li><b>2</b> Test plug</li> <li><b>3</b> Test socket</li> <li><b>4</b> Standard jumper bar screw for <b>BJS</b> washer for <b>BJS</b></li> <li><b>5</b> Comb-type jumper bar 70 A</li> <li><b>6</b> Assembly rod</li> <li><b>7</b> Assembly ring</li> <li><b>8</b> Fuse 6,35x32 mm (1/4 x 1 1/4") BPC quick-blow fuse cartridge as per IEC 127-2</li> </ul><br><ul style="list-style-type: none"> <li>HPC time delay fuse cartridge as per UL 198G</li> </ul><br><p><b>R</b> See section on markers marking method</p> |
|--|---|

## ML 10/13.SF

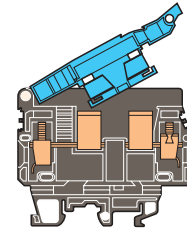
Spacing 13 mm (.512")



13 mm standard block.

## ML 10/13.SN

Spacing 13 mm (.512")



13 mm block with disconnect link bar locked on blue lever.



Color	Type	Part numbers
Black V0	ML 10/13.SF	0199 095.13

Color	Type	Part numbers
Black / Blue V0	ML 10/13.SN	0199 105.22

## Characteristics

Wire size	IEC		UL	CSA
	NFC	DIN		
Compression clamp	Solid wire	0,5-16 mm <sup>2</sup>	22-10 AWG	22-8 AWG
	Stranded wire	0,5-10 mm <sup>2</sup>	22-10 AWG	22-8 AWG

## Characteristics

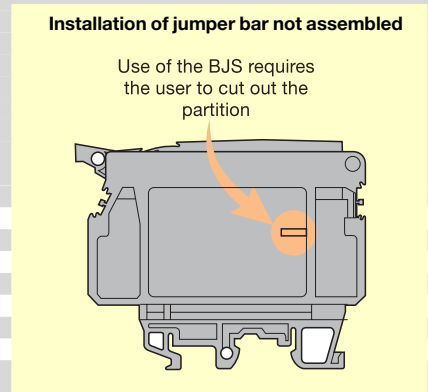
Wire size	IEC		UL	CSA
	NFC	DIN		
Compression clamp	Solid wire	0,5-16 mm <sup>2</sup>	22-10 AWG	22-8 AWG
	Stranded wire	0,5-10 mm <sup>2</sup>	22-10 AWG	22-8 AWG

Voltage			
Rated	800 V (1)	600 V (1)	600 V (1)
Pulse	8 kV		
Pollution degree	3		
Current			
Rated	16 A	25 A	25 A
Wire size			
Rated / Gauge	10 mm <sup>2</sup> / A6	10 AWG	8 AWG
Wire stripping length	Recomm. screwdriver 5,5 mm .217"	Recomm. torque 1,2-1,4 Nm 10.6-12.3 lb.in	Protection

Voltage			
Rated	800 V	600 V	600 V
Pulse	8 kV		
Pollution degree	3		
Current			
Rated	16 A	25 A	25 A
Wire size			
Rated / Gauge	10 mm <sup>2</sup> / A6	10 AWG	8 AWG
Wire stripping length	Recomm. screwdriver 5,5 mm .217"	Recomm. torque 1,2-1,4 Nm 10.6-12.3 lb.in	Protection

Type	Part numbers
<b>FEM13U</b> V0 th. 1,5 mm	<b>0199 635.24</b>
<b>FC2</b> DIA. 2 mm	<b>0007 865.26</b>
<b>FC4</b> DIA. 4 mm	<b>0167 860.01</b>
<b>AL2</b> DIA. 2 mm	<b>0163 043.21</b>
<b>AL3</b> DIA. 3 mm	<b>0163 261.00</b>
<b>AL4</b> DIA. 4 mm	<b>0163 262.01</b>
<b>BJS131</b> (2) 10 poles	<b>0175 991.11</b>
<b>VJS11</b>	<b>0163 394.26</b>
<b>RDJ11</b>	<b>0168 783.01</b>
<b>PC13</b> 10 poles	<b>0173 510.20</b>
<b>TGA13</b> 2 poles	<b>0168 564.05</b>
<b>TGA13</b> 3 poles	<b>0168 565.06</b>
<b>TGA13</b> 4 poles	<b>0168 566.07</b>
<b>ANT</b>	<b>0168 675.14</b>
<b>FU633</b> 6,35 x 32	
0,25 A	<b>0168 554.03</b>
0,63 A	<b>0168 555.04</b>
1 A	<b>0168 556.05</b>
1,6 A	<b>0168 557.06</b>
2,5 A	<b>0168 558.17</b>
4 A	<b>0168 559.10</b>
6,3 A	<b>0168 560.15</b>
10 A	<b>0168 561.02</b>
16 A	<b>0168 562.03</b>

Type	Part numbers
<b>FEM13U</b> V0 th. 1,5 mm	<b>0199 635.24</b>
<b>FC2</b> DIA. 2 mm	<b>0007 865.26</b>
<b>FC4</b> DIA. 4 mm	<b>0167 860.01</b>
<b>AL2</b> DIA. 2 mm	<b>0163 043.21</b>
<b>AL3</b> DIA. 3 mm	<b>0163 261.00</b>
<b>AL4</b> DIA. 4 mm	<b>0163 262.01</b>
<b>BJS131</b> (2) 10 poles	<b>0175 991.11</b>
<b>VJS11</b>	<b>0163 394.26</b>
<b>RDJ11</b>	<b>0168 783.01</b>
<b>PC13</b> 10 poles	<b>0173 510.20</b>
<b>TGA13</b> 2 poles	<b>0168 564.05</b>
<b>TGA13</b> 3 poles	<b>0168 565.06</b>
<b>TGA13</b> 4 poles	<b>0168 566.07</b>
<b>ANT</b>	<b>0168 675.14</b>



Ⓒ RC610 on top of block    Ⓙ RC810 on sides of block    Ⓜ RC610 on top of block    Ⓨ RC810 on sides of block    Ⓟ  
 Note : (1) Insulation voltage of terminal block - operating voltage : In accordance with fuse rating.  
 (2) Use of these accessories require the user to cut out the partition.

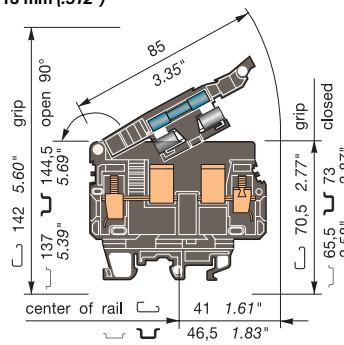
## Fuse holder terminal blocks for 6,35 x 25,4 mm 1/4 x 1 in. and 6,35 x 32 mm 1/4 x 1 1/4 in. fuses

### Compression clamp

DIN 1 - DIN 3

### ML 10/13.SFL...

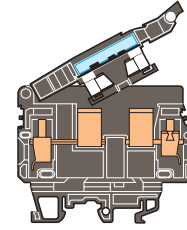
Spacing 13 mm (.512")



13 mm block with neon blown fuse indicator.

### ML 10/13.SFD...

Spacing 13 mm (.512")

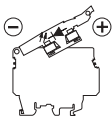


13 mm block with LED blown fuse indicator.

End stop	th. 9,1 mm	<b>BADL</b>	V0	<b>0199 408.02</b>
End stop	th. 9,1 mm	<b>BAM</b>		<b>0103 002.26</b>
Other end stops : See Accessories section				
Rail	35 x 7,5 x 1	<b>PR30</b>	prepunched	<b>0173 220.05</b>
Rail	35 x 15 x 2,3	<b>PR4</b>		<b>0168 500.12</b>
Rail	35 x 15 x 1,5	<b>PR5</b>	prepunched	<b>0101 598.26</b>
Rail	32 x 15	<b>PR122</b>		<b>0163 050.04</b>
Other rails : See Accessories section				

### Notes

The use of some accessories may decrease the block's voltage rating. For more information, consult us.



\* Blocks with LED indicator are labeled "+" on the outside of the lever. The indicator can be reversed in the field if required.

Color	Type	Part numbers
Black V0/110-230V	<b>ML 10/13.SFL</b>	<b>0199 168.00</b>
Black V0/480V	<b>ML 10/13.SFL1</b>	<b>0199 165.25</b>

Color	Type	Part numbers
Black V0/LED 24V	<b>ML 10/13.SFD</b>	<b>0199 166.26</b>
Black V0/LED 48V	<b>ML 10/13.SFD1</b>	<b>0199 167.27</b>

### Characteristics

Wire size	IEC		UL	CSA
	NFC	DIN		
Compression clamp	Solid wire	0,5-16 mm <sup>2</sup>	22-10 AWG	22-8 AWG
	Stranded wire	0,5-10 mm <sup>2</sup>	22-10 AWG	22-8 AWG

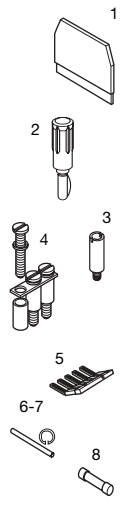
### Characteristics

Wire size	IEC		UL	CSA
	NFC	DIN		
Compression clamp	Solid wire	0,5-16 mm <sup>2</sup>	22-10 AWG	22-8 AWG
	Stranded wire	0,5-10 mm <sup>2</sup>	22-10 AWG	22-8 AWG

Voltage			
Rated	800 V (1)	600 V (1)	600 V (1)
Pulse	8 kV		
Pollution degree	3		
Current			
Rated	16 A	25 A	25 A
Wire size			
Rated / Gauge	10 mm <sup>2</sup> / A6	10 AWG	8 AWG
Wire stripping length	Recomm. screwdriver	Recomm. torque	Protection
12 mm .472"	5,5 mm .217"	1,2-1,4 Nm 10.6-12.3 lb.in	

Voltage			
Rated	800 V (1)	600 V (1)	600 V (1)
Pulse	8 kV		
Pollution degree	3		
Current			
Rated	16 A	25 A	25 A
Wire size			
Rated / Gauge	10 mm <sup>2</sup> / A6	10 AWG	8 AWG
Wire stripping length	Recomm. screwdriver	Recomm. torque	Protection
12 mm .472"	5,5 mm .217"	1,2-1,4 Nm 10.6-12.3 lb.in	

### Accessories



Type	Part numbers
<b>1</b> End section black	<b>FEM13U V0</b>
<b>2</b> Test plug	<b>FC2</b> DIA. 2 mm <b>FC4</b> DIA. 4 mm
<b>3</b> Test socket	<b>AL2</b> DIA. 2 mm <b>AL3</b> DIA. 3 mm <b>AL4</b> DIA. 4 mm
<b>4</b> Standard jumper bar screw for <b>BJS</b> washer for <b>BJS</b>	<b>BJS131 (2)</b> 10 poles <b>VJS11</b> <b>RDJ11</b>
<b>5</b> Comb-type jumper bar 70 A	<b>PC13</b> 10 poles
<b>6</b> Assembly rod	<b>TGA13</b> 2 poles <b>TGA13</b> 3 poles <b>TGA13</b> 4 poles
<b>7</b> Assembly ring	<b>ANT</b>
<b>8</b> Fuse 6,35x32 mm (1/4 x 1 1/4) BPC quick-blow fuse cartridge as per IEC 127-2	<b>FU633</b> 6,35 x 32 0,25 A 0,63 A 1 A 1,6 A 2,5 A 4 A 6,3 A 10 A 16 A
HPC time delay fuse cartridge as per UL 198G	

Type	Part numbers
<b>1</b> End section black	<b>FEM13U V0</b>
<b>2</b> Test plug	<b>FC2</b> DIA. 2 mm <b>FC4</b> DIA. 4 mm
<b>3</b> Test socket	<b>AL2</b> DIA. 2 mm <b>AL3</b> DIA. 3 mm <b>AL4</b> DIA. 4 mm
<b>4</b> Standard jumper bar screw for <b>BJS</b> washer for <b>BJS</b>	<b>BJS131 (2)</b> 10 poles <b>VJS11</b> <b>RDJ11</b>
<b>5</b> Comb-type jumper bar 70 A	<b>PC13</b> 10 poles
<b>6</b> Assembly rod	<b>TGA13</b> 2 poles <b>TGA13</b> 3 poles <b>TGA13</b> 4 poles
<b>7</b> Assembly ring	<b>ANT</b>
<b>8</b> Fuse 6,35x32 mm (1/4 x 1 1/4) BPC quick-blow fuse cartridge as per IEC 127-2	<b>FU633</b> 6,35 x 32 0,25 A 0,63 A 1 A 1,6 A 2,5 A 4 A 6,3 A 10 A 16 A
HPC time delay fuse cartridge as per UL 198G	

Type	Part numbers
<b>1</b> End section black	<b>FEM13U V0</b>
<b>2</b> Test plug	<b>FC2</b> DIA. 2 mm <b>FC4</b> DIA. 4 mm
<b>3</b> Test socket	<b>AL2</b> DIA. 2 mm <b>AL3</b> DIA. 3 mm <b>AL4</b> DIA. 4 mm
<b>4</b> Standard jumper bar screw for <b>BJS</b> washer for <b>BJS</b>	<b>BJS131 (2)</b> 10 poles <b>VJS11</b> <b>RDJ11</b>
<b>5</b> Comb-type jumper bar 70 A	<b>PC13</b> 10 poles
<b>6</b> Assembly rod	<b>TGA13</b> 2 poles <b>TGA13</b> 3 poles <b>TGA13</b> 4 poles
<b>7</b> Assembly ring	<b>ANT</b>
<b>8</b> Fuse 6,35x32 mm (1/4 x 1 1/4) BPC quick-blow fuse cartridge as per IEC 127-2	<b>FU633</b> 6,35 x 32 0,25 A 0,63 A 1 A 1,6 A 2,5 A 4 A 6,3 A 10 A 16 A
HPC time delay fuse cartridge as per UL 198G	

Leakage current with neon indicator < 0,5 mA (110 & 480 V) < 0,7 mA (230 V)

Leakage current with LED indicator 24 V or 48 V < 4,5 mA



**R** See section on markers marking method

ⓐ RC610 on top of block ⓑ RC810 on sides of block ⓐ RC610 on top of block ⓑ RC810 on sides of block  
Note : (1) Insulation voltage of terminal block - operating voltage : In accordance with fuse rating.  
(2) Use of these accessories requires the user to cut out the partition.

# Fuse holder terminal blocks for 6,35 x 32 mm 1/4 x 1 1/4 in. fuses

## Compression clamp






DIN 1 - DIN 3

- End stop th. 9,1 mm **BADL** V0 **0199 408.02**
- End stop th. 9,1 mm **BAM** **0103 002.26**
- Other end stops : See Accessories section
- Rail 35 x 7,5 x 1 **PR30** prepunched **0173 220.05**
- Rail 35 x 15 x 2,3 **PR4** **0168 500.12**
- Rail 35 x 15 x 1,5 **PR5** prepunched **0101 598.26**
- Rail 32 x 15 **PR1Z2** **0163 050.04**
- Other rails : See Accessories section

### Notes

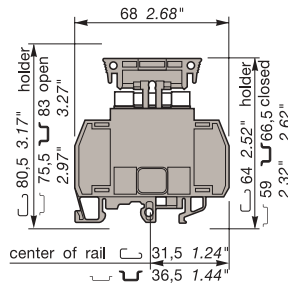
The use of some accessories may decrease the block's voltage rating. For more information, consult us.

### Accessories

- 1  1 Fuse 6,35 x 32 mm quick-blow fuse 250 V
  - 2, 3  2 Comb-type jumper bar 70 A  
70 A  
70 A  
70 A
  - 3  3 Insulating tip
  - 4  4 Blown fuse indicator (2)
- R  R See section on markers marking method

## M 10/16.SF...

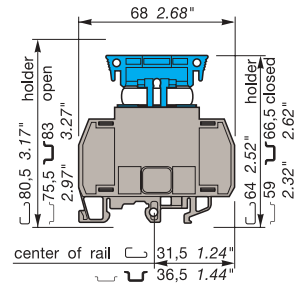
Spacing 16 mm (.630")



16 mm block with or without blown fuse indicator.

## M 10/16.SN

Spacing 16 mm (.630")



16 mm block with disconnect link bar locked on blue holder.



Color	Type	Part numbers
Without blown fuse indicator :		
Grey	<b>M 10/16.SF</b>	<b>0115 377.24</b>
For fusion indicator to be ordered separately :		
Grey	<b>M 10/16.SFL</b>	<b>0115 378.05</b>



Color	Type	Part numbers
Grey	<b>M 10/16.SN</b>	<b>0115 379.06</b>

### Characteristics

Wire size	NFC DIN		UL	CSA
	Compression	Solid wire	24-8 AWG	24-8 AWG
clamp	Stranded wire	0,5-6 mm <sup>2</sup>	24-8 AWG	24-8 AWG

### Characteristics

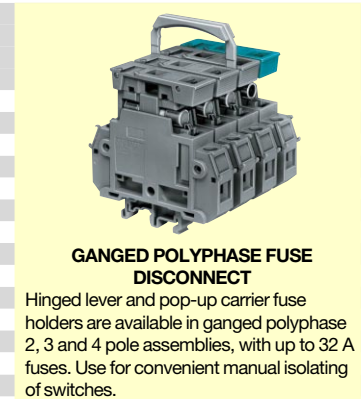
Wire size	NFC DIN		UL	CSA
	Compression	Solid wire	24-8 AWG	24-8 AWG
clamp	Stranded wire	0,5-6 mm <sup>2</sup>	24-8 AWG	24-8 AWG

Voltage			
Rated	750 V Gr.C (1)	600 V (1)	600 V (1)
Pulse			
Pollution degree			
Current			
Rated	16 A	16 A	16 A
Wire size			
Rated / Gauge	6 mm <sup>2</sup>	8 AWG	8 AWG
Wire stripping length	Recomm. screwdriver	Recomm. torque	Protection
11 mm .433"	5,5 mm .217"	0,8-1 Nm 7.1-8.9 lb.in	

Voltage			
Rated	750 V Gr.C (1)	600 V	600 V
Pulse			
Pollution degree			
Current			
Rated	16 A	16 A	16 A
Wire size			
Rated / Gauge	6 mm <sup>2</sup>	8 AWG	8 AWG
Wire stripping length	Recomm. screwdriver	Recomm. torque	Protection
11 mm .433"	5,5 mm .217"	0,8-1 Nm 7.1-8.9 lb.in	

Type	Part numbers	
<b>FU633</b>	6,35 x 32	
	0,25 A	<b>0168 554.03</b>
	0,63 A	<b>0168 555.04</b>
	1 A	<b>0168 556.05</b>
	1,6 A	<b>0168 557.06</b>
	2,5 A	<b>0168 558.17</b>
	4 A	<b>0168 559.10</b>
	6,3 A	<b>0168 560.15</b>
	10 A	<b>0168 561.02</b>
	16 A	<b>0168 562.03</b>
<b>PC16</b>	2 poles	<b>0116 729.26</b>
	3 poles	<b>0116 733.12</b>
<b>PC16</b>	4 poles	<b>0116 734.13</b>
	10 poles	<b>0116 735.14</b>
<b>EIP</b>		<b>0113 550.24</b>
<b>LEN (2)</b>	Neon 110 - 230 V AC	<b>0167 075.25</b>
	Neon 480 V AC	<b>0103 909.00</b>
Leakage current with neon indicator		< 0,5 mA (110 & 480 V) < 0,7 mA (230 V AC)
LED 24 VDC		<b>0175 423.17</b>
Max. leakage current = 5.2mA		

Type	Part numbers	
<b>PC16</b>	2 poles	<b>0116 729.26</b>
	3 poles	<b>0116 733.12</b>
	4 poles	<b>0116 734.13</b>
	10 poles	<b>0116 735.14</b>
<b>EIP</b>		<b>0113 550.24</b>



**GANGED POLYPHASE FUSE DISCONNECT**

Hinged lever and pop-up carrier fuse holders are available in ganged polyphase 2, 3 and 4 pole assemblies, with up to 32 A fuses. Use for convenient manual isolating of switches.

⑪ ⑰ Sides of block ⑳  
Note : (1) Insulation voltage of terminal block - operating voltage : In accordance with fuse rating.  
(2) Only for block P/N : 0115 378.05

### Fuse holder terminal blocks for 8,5 x 31,5 mm 11/32 x 1 1/4 in. fuses Compression clamp




DIN 1 - DIN 3

End stop	th. 9,1 mm	<b>BADL</b>	V0	<b>0199 408.02</b>
End stop	th. 9,1 mm	<b>BAM</b>		<b>0103 002.26</b>
Other end stops : See Accessories section				
Rail	35 x 7,5 x 1	<b>PR30</b>	prepunched	<b>0173 220.05</b>
Rail	35 x 15 x 2,3	<b>PR4</b>		<b>0168 500.12</b>
Rail	35 x 15 x 1,5	<b>PR5</b>	prepunched	<b>0101 598.26</b>
Rail	32 x 15	<b>PR1Z2</b>		<b>0163 050.04</b>
Other rails : See Accessories section				

#### Notes

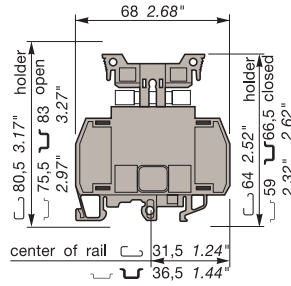
The use of some accessories may decrease the block's voltage rating. For more information, consult us.

#### Accessories

	<b>1</b>	<b>1</b>	Fuse 8,5 x 31,5 mm	
	<b>2, 3</b>	<b>2</b>	Comb-type jumper bar	70 A 70 A 70 A 70 A
		<b>3</b>	Insulating tip	
	<b>R</b>		See section on markers marking method	

### M 10/16.SF1

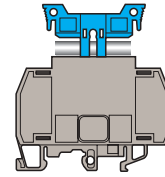
Spacing 16 mm (.630")



16 mm block without blown fuse indicator.



### M 10/16.SN1

Spacing 16 mm (.630")



16 mm block with disconnect link bar locked on blue holder.



Color	Type	Part numbers	Color	Type	Part numbers
Grey	 <b>M 10/16.SF1</b>	<b>0115 375.22</b>	Grey / Blue	 <b>M 10/16.SN1</b>	<b>0115 376.23</b>

#### Characteristics

Wire size	NFC DIN			UL		CSA	
	Compression	Solid wire	0,5-10 mm <sup>2</sup>	24-8 AWG	24-8 AWG	24-8 AWG	24-8 AWG
clamp	Solid wire	0,5-10 mm <sup>2</sup>	24-8 AWG	24-8 AWG	24-8 AWG	24-8 AWG	24-8 AWG
	Stranded wire	0,5-6 mm <sup>2</sup>	24-8 AWG	24-8 AWG	24-8 AWG	24-8 AWG	24-8 AWG

#### Voltage

Rated	750 V Gr.C (1)	600 V	600 V (1)
Pulse			
Pollution degree			

#### Current

Rated	20 A	16 A	20 A
Wire size			

#### Wire size

Rated / Gauge	6 mm <sup>2</sup>	8 AWG	8 AWG
Wire stripping length	Recomm. screwdriver	Recomm. torque	Protection
11 mm .433"	5,5 mm .217"	0,8-1 Nm 7.1-8.9 lb.in	

#### Characteristics

Wire size	NFC DIN			UL		CSA	
	Compression	Solid wire	0,5-10 mm <sup>2</sup>	24-8 AWG	24-8 AWG	24-8 AWG	24-8 AWG
clamp	Solid wire	0,5-10 mm <sup>2</sup>	24-8 AWG	24-8 AWG	24-8 AWG	24-8 AWG	24-8 AWG
	Stranded wire	0,5-6 mm <sup>2</sup>	24-8 AWG	24-8 AWG	24-8 AWG	24-8 AWG	24-8 AWG

#### Voltage

Rated	750 V Gr.C (1)	600 V	600 V (1)
Pulse			
Pollution degree			

#### Current

Rated	20 A	16 A	20 A
Wire size			

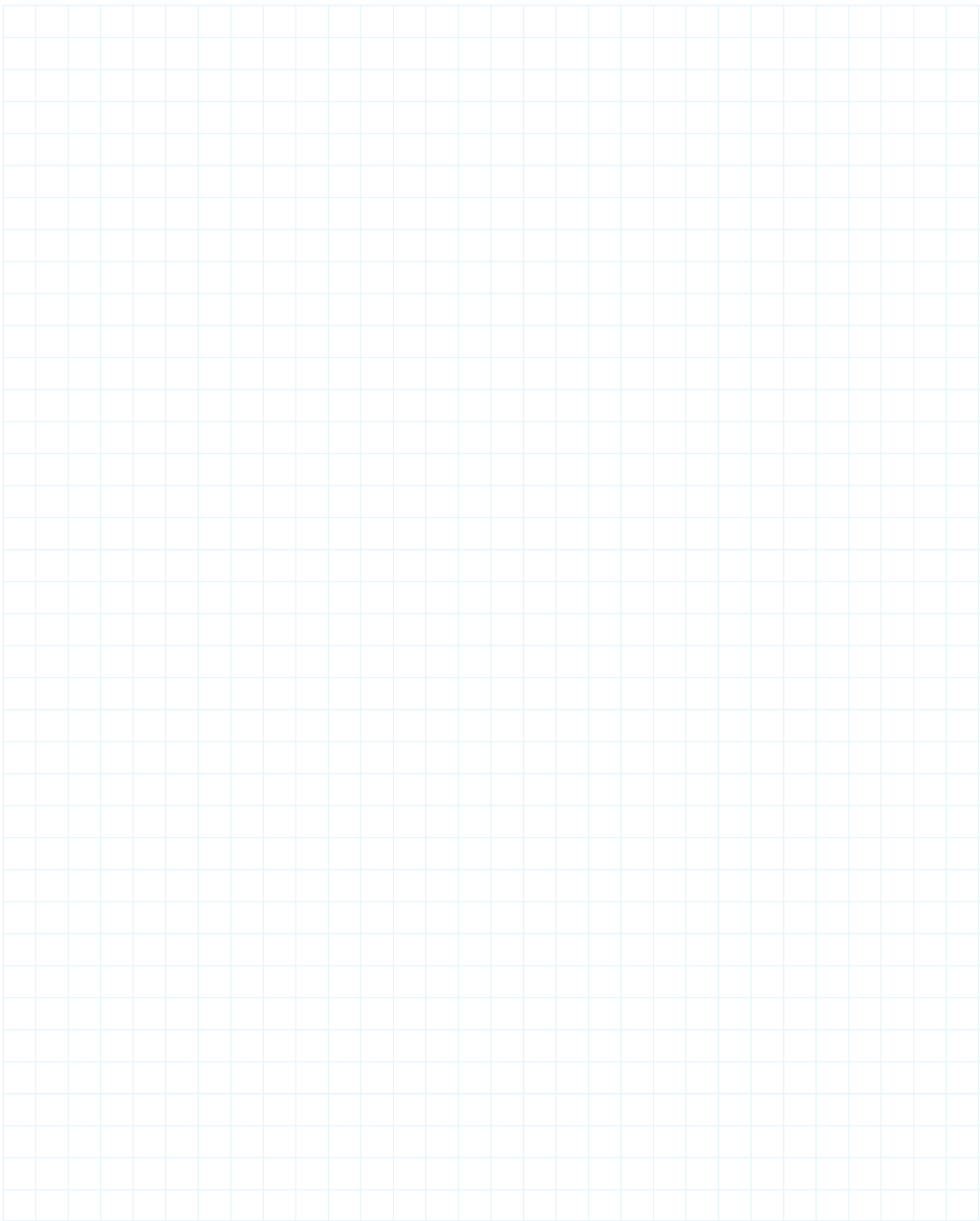
#### Wire size

Rated / Gauge	6 mm <sup>2</sup>	8 AWG	8 AWG
Wire stripping length	Recomm. screwdriver	Recomm. torque	Protection
11 mm .433"	5,5 mm .217"	0,8-1 Nm 7.1-8.9 lb.in	

Type	Part numbers	Type	Part numbers
<b>FU853</b>	2 A <b>0163 847.24</b> 4 A <b>0163 848.05</b> 6 A <b>0163 849.06</b> 10 A <b>0163 850.03</b> 16 A <b>0163 851.20</b> 20 A <b>0163 852.21</b>		
<b>PC16</b>	2 poles <b>0116 729.26</b>	<b>PC16</b>	2 poles <b>0116 729.26</b>
<b>PC16</b>	3 poles <b>0116 733.12</b>	<b>PC16</b>	3 poles <b>0116 733.12</b>
<b>PC16</b>	4 poles <b>0116 734.13</b>	<b>PC16</b>	4 poles <b>0116 734.13</b>
<b>PC16</b>	10 poles <b>0116 735.14</b>	<b>PC16</b>	10 poles <b>0116 735.14</b>
<b>EIP</b>	<b>0113 550.24</b>	<b>EIP</b>	<b>0113 550.24</b>

(11) (17) Sides of block (26)  
Note : (1) Insulation voltage of terminal block - operating voltage : In accordance with fuse rating.



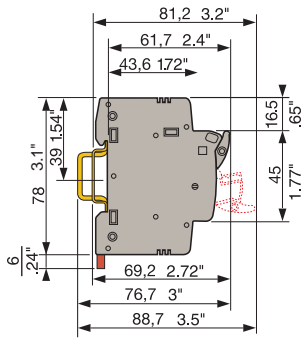


# Modular fuse-holder

for 8,5 x 31,5 mm 11/32 x 1 1/4 in. fuses



DIN 3



IP20 protection  
Standards : IEC 947-3 / 269-2

Rail	35 x 7.5 x 1 PR30	prepunched	0164 800.03
Rail	35 x 15 x 2.3 PR4		0168 500.12
Rail	35 x 15 x 1.5 PR5	prepunched	0101 598.26

The assembly of more than 3 modular fuse-holders equipped with fuses could downgrade rated current. Consult us.

**FE8.1**  
Spacing 17,6 mm (0.69")  
1 module



**FE8-10.N**  
Spacing 17,6 mm (0.69")  
1 module



**FE8.1N.C**  
Spacing 17,6 mm (0.69")  
1 module



**FE8.1N**  
Spacing 35,2 mm (1.39")  
2 modules



## Reference






	Type	P/N	Type	P/N	Type	P/N	Type	P/N
Standard	FE8.1	8711 568.01	FE8-10.N	8711 627.01	FE8.1N.C	8721 568.01	FE8.1N	8715 568.01
With blown-fuse indicator 24-48 AC/DC / 48-115 VAC	FE8.1	8711 568.11						
With blown-fuse indicator 115-690 VAC	FE8.1	8711 568.12			FE8.1N.C	8721 568.12	FE8.1N	8715 568.12




Blown fuse-indicator leakage current :  
< 0,5 mA at 24 V  
< 1 mA at 48 V  
< 2,5 mA at other voltages

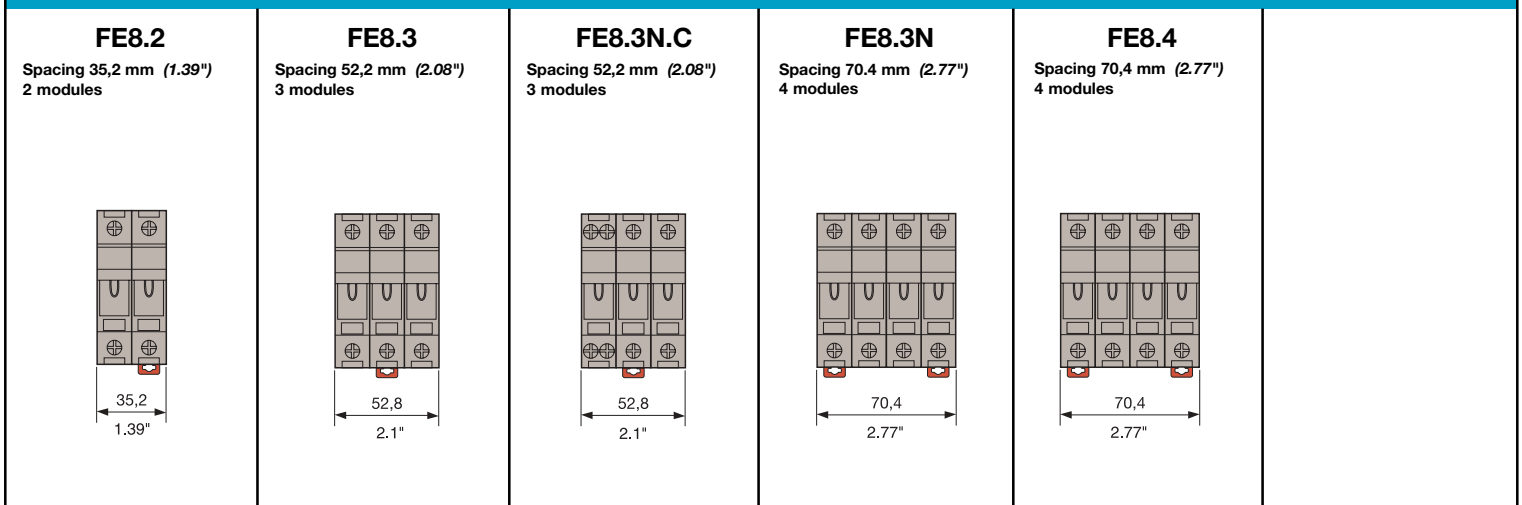
## Characteristics

		IEC			UL			CSA			IEC			UL			CSA		
		0.5-16	20-6 AWG	20-6 AWG	0.5-16	20-6 AWG	20-6 AWG	0.5-10	20-8 AWG	20-8 AWG	0.5-16	20-6 AWG	20-6 AWG	0.5-10	20-6 AWG	20-6 AWG			
<b>Wire size</b>	Solid wire	0.5-16	20-6 AWG	20-6 AWG	0.5-16	20-6 AWG	20-6 AWG	0.5-10	20-8 AWG	20-8 AWG	0.5-16	20-6 AWG	20-6 AWG	0.5-10	20-6 AWG	20-6 AWG			
	Stranded wire	0.5-10			0.5-10			0.5-6			0.5-10			0.5-10					
<b>mm<sup>2</sup> AWG</b>	Gauge	A5			A5			A4			A5			A5					
<b>Rated voltage</b>	V AC ~/= DC	400	600	600	690	600	600	400	600	600	400	600	600	400	600	600			
<b>Rated current</b>	A	20	30	30	32	30	30	20	30	30	20	30	30	20	30	30			
<b>Rated wire size</b>	mm <sup>2</sup> / AWG	6 mm <sup>2</sup>	6 AWG	6 AWG	6 mm <sup>2</sup>	6 AWG	6 AWG	6 mm <sup>2</sup>	8 AWG	8 AWG	6 mm <sup>2</sup>	6 AWG	6 AWG	6 mm <sup>2</sup>	6 AWG	6 AWG			
<b>Wire stripping length</b>		12 mm / .47"			12 mm / .47"			12 mm / .47"			12 mm / .47"								
<b>Recommended torque</b>		1.2 Nm / 10.6 lb.in			1.2 Nm / 10.6 lb.in			1.2 Nm / 10.6 lb.in			1.2 Nm / 10.6 lb.in								

## Accessories

	Type	P/N	Type	P/N	Type	P/N	Type	P/N
 1 Plate mounting kit	FT1	0399 371.13	FT1	0399 371.13	FT1	0399 371.13	FT1	0399 371.13
 2 Assembly Kit multipolar	KE8-10	0206 125.24	KE8-10	0206 125.24	KE8-10	0206 125.24	KE8-10	0206 125.24
 3 Flat pin jumper bar unipolar	PCP.1.12	RAU8970 452.12	PCP.1.12	RAU8970 452.12	PCP.1.12	RAU8970 452.12	PCP.1.12	RAU8970 452.12
	PCP.1.13	RAU8970 452.13	PCP.1.13	RAU8970 452.13	PCP.1.13	RAU8970 452.13	PCP.1.13	RAU8970 452.13
	PCP.1.57	RAU8970 452.57	PCP.1.57	RAU8970 452.57	PCP.1.57	RAU8970 452.57	PCP.1.57	RAU8970 452.57
	PCP.2.12	RAU8970 453.12	PCP.2.12	RAU8970 453.12	PCP.2.12	RAU8970 453.12	PCP.2.12	RAU8970 453.12
	PCP.2.60	RAU8970 453.60	PCP.2.60	RAU8970 453.60	PCP.2.60	RAU8970 453.60	PCP.2.60	RAU8970 453.60
	PCP.3.12	RAU8970 454.12	PCP.3.12	RAU8970 454.12	PCP.3.12	RAU8970 454.12	PCP.3.12	RAU8970 454.12
	PCP.3.60	RAU8970 454.60	PCP.3.60	RAU8970 454.60	PCP.3.60	RAU8970 454.60	PCP.3.60	RAU8970 454.60
	PCP.4.12	RAU8970 455.12	PCP.4.12	RAU8970 455.12	PCP.4.12	RAU8970 455.12	PCP.4.12	RAU8970 455.12
	PCP.4.60	RAU8970 455.60	PCP.4.60	RAU8970 455.60	PCP.4.60	RAU8970 455.60	PCP.4.60	RAU8970 455.60
 4 8,5 x 31,5 mm fuses (see accessories, page 154)	FU853		FU853		FU853		FU853	
 5 Flat pin terminal 15 mm	BTVP15	RAU8970 460.01	BTVP15	RAU8970 460.01	BTVP15	RAU8970 460.01	BTVP15	RAU8970 460.01
	BTVP30	RAU8970 460.02	BTVP30	RAU8970 460.02	BTVP30	RAU8970 460.02	BTVP30	RAU8970 460.02

 4								
 5								
 R	see section on markers	RC55 - RC510	RC55 - RC510	RC55 - RC510	RC55 - RC510	RC55 - RC510	RC55 - RC510	RC55 - RC510



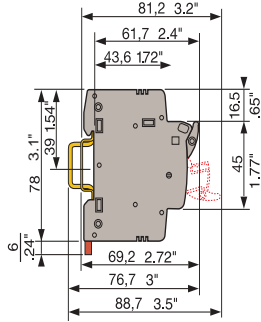
The assembly of more than 3 modular fuse-holders equipped with fuses could downgrade rated current. Consult us.

2 poles			3 poles			4 poles : 3 phases + neutral			4 poles : 3 phases + neutral			4 poles		
Type	P/N		Type	P/N		Type	P/N		Type	P/N		Type	P/N	
FE8.2	8712 568.01		FE8.3	8713 568.01		FE8.3N.C	8726 568.13		FE8.3N	8716 568.01		FE8.4	8714 568.01	
									FE8.3N	8716 568.12				
IEC	UL	CSA	IEC	UL	CSA	IEC	UL	CSA	IEC	UL	CSA	IEC	UL	CSA
0.5-16 0.5-10 A5	20-6 AWG	20-6 AWG	0.5-16 0.5-10 A5	20-6 AWG	20-6 AWG	0.5-10 0.5-6 A4	20-8 AWG	20-8 AWG	0.5-16 0.5-10 A5	20-6 AWG	20-6 AWG	0.5-16 0.5-10 A5	20-6 AWG	20-6 AWG
400 20 6 mm <sup>2</sup>	600 30 6 AWG	600 30 6 AWG	400 20 6 mm <sup>2</sup>	600 30 6 AWG	600 30 6 AWG	400 20 6 mm <sup>2</sup>	600 30 8 AWG	600 30 8 AWG	400 20 6 mm <sup>2</sup>	600 30 6 AWG	600 30 6 AWG	400 20 6 mm <sup>2</sup>	600 30 6 AWG	600 30 6 AWG
12 mm / .47" 1.2 Nm / 10.6 lb.in			12 mm / .47" 1.2 Nm / 10.6 lb.in			12 mm / .47" 1.2 Nm / 10.6 lb.in			12 mm / .47" 1.2 Nm / 10.6 lb.in			12 mm / .47" 1.2 Nm / 10.6 lb.in		
Type	P/N		Type	P/N		Type	P/N		Type	P/N		Type	P/N	
FT1	0399 371.13		FT1	0399 371.13		FT1	0399 371.13		FT1	0399 371.13		FT1	0399 371.13	
KE8-10	0206 125.24		KE8-10	0206 125.24		KE8-10	0206 125.24		KE8-10	0206 125.24		KE8-10	0206 125.24	
PCP.1.12	RAU8970 452.12		PCP.1.12	RAU8970 452.12					PCP.1.12	RAU8970 452.12		PCP.1.12	RAU8970 452.12	
PCP.1.13	RAU8970 452.13		PCP.1.13	RAU8970 452.13					PCP.1.13	RAU8970 452.13		PCP.1.13	RAU8970 452.13	
PCP.1.57	RAU8970 452.57		PCP.1.57	RAU8970 452.57					PCP.1.57	RAU8970 452.57		PCP.1.57	RAU8970 452.57	
PCP.2.12	RAU8970 453.12		PCP.2.12	RAU8970 453.12					PCP.2.12	RAU8970 453.12		PCP.2.12	RAU8970 453.12	
PCP.2.60	RAU8970 453.60		PCP.2.60	RAU8970 453.60					PCP.2.60	RAU8970 453.60		PCP.2.60	RAU8970 453.60	
PCP.3.12	RAU8970 454.12		PCP.3.12	RAU8970 454.12					PCP.3.12	RAU8970 454.12		PCP.3.12	RAU8970 454.12	
PCP.3.60	RAU8970 454.60		PCP.3.60	RAU8970 454.60					PCP.3.60	RAU8970 454.60		PCP.3.60	RAU8970 454.60	
PCP.4.12	RAU8970 455.12		PCP.4.12	RAU8970 455.12					PCP.4.12	RAU8970 455.12		PCP.4.12	RAU8970 455.12	
PCP.4.60	RAU8970 455.60		PCP.4.60	RAU8970 455.60					PCP.4.60	RAU8970 455.60		PCP.4.60	RAU8970 455.60	
FU853			FU853			FU853			FU853			FU853		
BTVP15	RAU8970 460.01		BTVP15	RAU8970 460.01		BTVP15	RAU8970 460.01		BTVP15	RAU8970 460.01		BTVP15	RAU8970 460.01	
BTVP30	RAU8970 460.02		BTVP30	RAU8970 460.02		BTVP30	RAU8970 460.02		BTVP30	RAU8970 460.02		BTVP30	RAU8970 460.02	
RC55 - RC510			RC55 - RC510			RC55 - RC510			RC55 - RC510			RC55 - RC510		

# Modular fuse-holder

for 10,3 x 38 mm 13/32 x 1 1/2 in. fuses

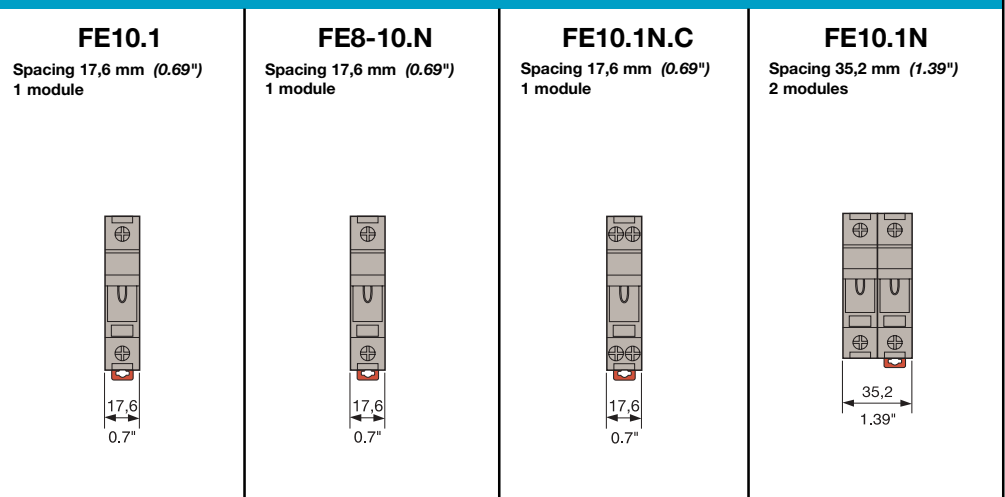
DIN 3



IP20 protection  
Standards : IEC 947-3 / 269-2

Rail		35 x 7.5 x 1	PR30	prepunched	0164 800.03
Rail		35 x 15 x 2.3	PR4		0168 500.12
Rail		35 x 15 x 1.5	PR5	prepunched	0101 598.26

The assembly of more than 3 modular fuse-holders equipped with fuses could downgrade rated current. Consult us.



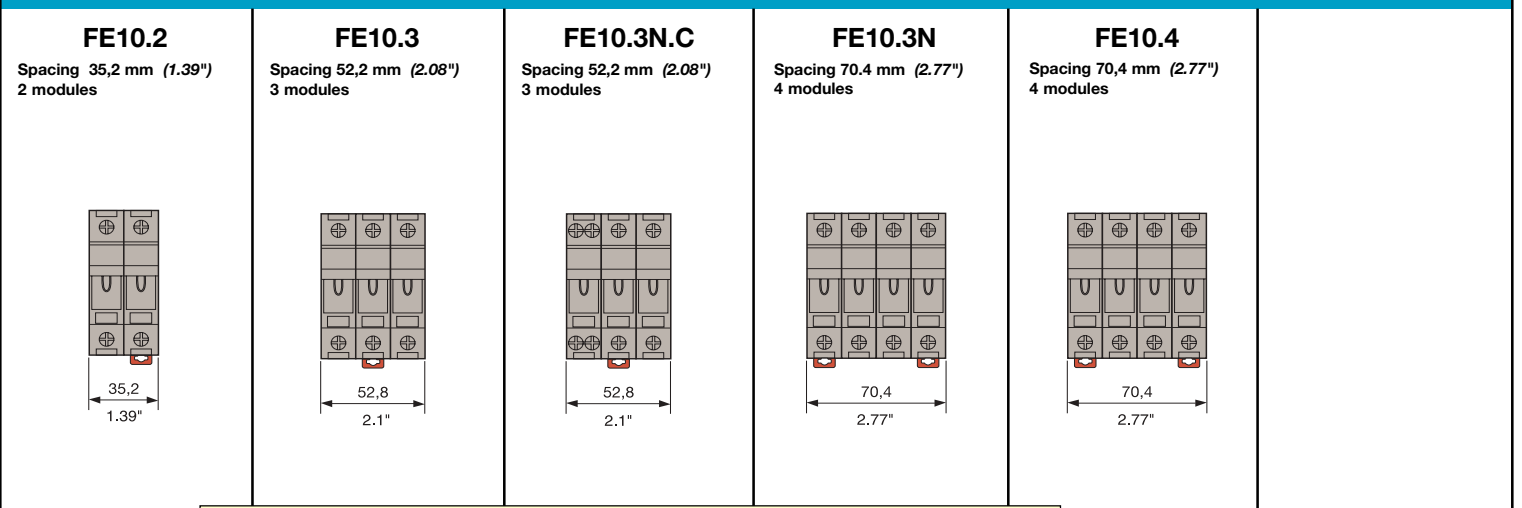
Reference	FE10.1		FE8-10.N		FE10.1N.C		FE10.1N	
	Type	P/N	Type	P/N	Type	P/N	Type	P/N
Standard	FE10.1	8711 628.01	FE8-10.N	8711 627.01	FE10.1N.C	8721 628.01	FE10.1N	8715 568.01
With blown-fuse indicator	FE10.1	8711 628.11						
With blown-fuse indicator	FE10.1	8711 628.12			FE10.1N.C	8721 628.12	FE10.1N	8715 568.12

Blown fuse-indicator leakage current :  
< 0,5 mA at 24 V  
< 1 mA at 48 V  
< 2,5 mA at other voltages







Characteristics		IEC			UL pending			CSA pending			IEC			UL			CSA		
		0.5-16	20-6 AWG	20-6 AWG	0.5-16	20-6 AWG	20-6 AWG	0.5-10	20-8 AWG	20-8 AWG	0.5-16	20-6 AWG	20-6 AWG	0.5-10	20-8 AWG	20-8 AWG	0.5-10	20-6 AWG	20-6 AWG
Wire size	Solid wire	0.5-16	20-6 AWG	20-6 AWG	0.5-16	20-6 AWG	20-6 AWG	0.5-10	20-8 AWG	20-8 AWG	0.5-16	20-6 AWG	20-6 AWG	0.5-10	20-8 AWG	20-8 AWG	0.5-10	20-6 AWG	20-6 AWG
	Stranded wire	0.5-10			0.5-10			0.5-6			0.5-10			0.5-6			0.5-10		
	Gauge	A5			A5			A4			A5			A4			A5		
Rated voltage	V AC ~/= DC	690	600	600	690	600	600	690	600	600	690	600	600	690	600	600	690	600	600
Rated current	A	32	30	30	32	30	30	32	30	30	32	30	30	32	30	30	32	30	30
Rated wire size	mm <sup>2</sup> / AWG	6 mm <sup>2</sup>	6 AWG	6 AWG	6 mm <sup>2</sup>	6 AWG	6 AWG	6 mm <sup>2</sup>	8 AWG	8 AWG	6 mm <sup>2</sup>	6 AWG	6 AWG	6 mm <sup>2</sup>	6 AWG	6 AWG	6 mm <sup>2</sup>	6 AWG	6 AWG
Wire stripping length	mm / inches	12 mm / .47"			12 mm / .47"			12 mm / .47"			12 mm / .47"								
Recommended torque	Nm / lb.in	1.2 Nm / 10.6 lb.in			1.2 Nm / 10.6 lb.in			1.2 Nm / 10.6 lb.in			1.2 Nm / 10.6 lb.in								

Accessories	Type	P/N	Type	P/N	Type	P/N	Type	P/N
	1 Plate mounting kit	FT1 0399 371.13	FT1	0399 371.13	FT1	0399 371.13	FT1	0399 371.13
	2 Assembly Kit multipolar	KE8-10 0206 125.24	KE8-10	0206 125.24	KE8-10	0206 125.24	KE8-10	0206 125.24
	3 Flat pin jumper bar unipolar	PCP.1.12 RAU8970 452.12	PCP.1.12	RAU8970 452.12	PCP.1.12	RAU8970 452.12	PCP.1.12	RAU8970 452.12
	63 A unipolar	PCP.1.13 RAU8970 452.13	PCP.1.13	RAU8970 452.13	PCP.1.13	RAU8970 452.13	PCP.1.13	RAU8970 452.13
	isolated IP20 unipolar	PCP.1.57 RAU8970 452.57	PCP.1.57	RAU8970 452.57	PCP.1.57	RAU8970 452.57	PCP.1.57	RAU8970 452.57
	bipolar (see accessories, page 154)	PCP.2.12 RAU8970 453.12	PCP.2.12	RAU8970 453.12	PCP.2.12	RAU8970 453.12	PCP.2.12	RAU8970 453.12
	bipolar	PCP.2.60 RAU8970 453.60	PCP.2.60	RAU8970 453.60	PCP.2.60	RAU8970 453.60	PCP.2.60	RAU8970 453.60
	tripolar	PCP.3.12 RAU8970 454.12	PCP.3.12	RAU8970 454.12	PCP.3.12	RAU8970 454.12	PCP.3.12	RAU8970 454.12
	tripolar	PCP.3.60 RAU8970 454.60	PCP.3.60	RAU8970 454.60	PCP.3.60	RAU8970 454.60	PCP.3.60	RAU8970 454.60
	tetrapolar	PCP.4.12 RAU8970 455.12	PCP.4.12	RAU8970 455.12	PCP.4.12	RAU8970 455.12	PCP.4.12	RAU8970 455.12
	tetrapolar	PCP.4.60 RAU8970 455.60	PCP.4.60	RAU8970 455.60	PCP.4.60	RAU8970 455.60	PCP.4.60	RAU8970 455.60
	4 10,3 x 38 mm fuses (see accessories, page 154)	FU103			FU103			
	5 Flat pin terminal 15 mm	BTVP15 RAU8970 460.01	BTVP15	RAU8970 460.01	BTVP15	RAU8970 460.01	BTVP15	RAU8970 460.01
	30 mm	BTVP30 RAU8970 460.02	BTVP30	RAU8970 460.02	BTVP30	RAU8970 460.02	BTVP30	RAU8970 460.02

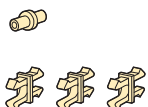
R see section on markers



The assembly of more than 3 modular fuse-holders equipped with fuses could downgrade rated current. Consult us.

2 poles		3 poles			4 poles : 3 phases + neutral			4 poles : 3 phases + neutral			4 poles			
Type	P/N	Type	P/N		Type	P/N		Type	P/N		Type	P/N		
FE10.2	 8712 628.01	FE10.3	 8713 628.01		FE10.3N.C	 8726 628.01		FE10.3N	 8716 628.01		FE10.4	 8724 628.01		
								FE10.3N	 8716 628.12					
IEC	UL pending	CSA pending	IEC	UL pending	CSA pending	IEC	UL	CSA	IEC	UL	CSA	IEC	UL pending	CSA pending
0.5-16 0.5-10 A5	20-6 AWG	20-6 AWG	0.5-16 0.5-10 A5	20-6 AWG	20-6 AWG	0.5-10 0.5-6 A4	20-8 AWG	20-8 AWG	0.5-16 0.5-10 A5	20-6 AWG	20-6 AWG	0.5-16 0.5-10 A5	20-6 AWG	20-6 AWG
690 32 6 mm <sup>2</sup>	600 30 6 AWG	600 30 6 AWG	690 32 6 mm <sup>2</sup>	600 30 6 AWG	600 30 6 AWG	690 32 6 mm <sup>2</sup>	600 30 8 AWG	600 30 8 AWG	690 32 6 mm <sup>2</sup>	600 30 6 AWG	600 30 6 AWG	690 32 6 mm <sup>2</sup>	600 30 6 AWG	600 30 6 AWG
12 mm / .47" 1.2 Nm / 10.6 lb.in		12 mm / .47" 1.2 Nm / 10.6 lb.in			12 mm / .47" 1.2 Nm / 10.6 lb.in			12 mm / .47" 1.2 Nm / 10.6 lb.in			12 mm / .47" 1.2 Nm / 10.6 lb.in			
Type	P/N		Type	P/N		Type	P/N		Type	P/N		Type	P/N	
FT1	0399 371.13		FT1	0399 371.13		FT1	0399 371.13		FT1	0399 371.13		FT1	0399 371.13	
KE8-10	0206 125.24		KE8-10	0206 125.24		KE8-10	0206 125.24		KE8-10	0206 125.24		KE8-10	0206 125.24	
PCP.1.12	RAU8970 452.12		PCP.1.12	RAU8970 452.12					PCP.1.12	RAU8970 452.12		PCP.1.12	RAU8970 452.12	
PCP.1.13	RAU8970 452.13		PCP.1.13	RAU8970 452.13					PCP.1.13	RAU8970 452.13		PCP.1.13	RAU8970 452.13	
PCP.1.57	RAU8970 452.57		PCP.1.57	RAU8970 452.57					PCP.1.57	RAU8970 452.57		PCP.1.57	RAU8970 452.57	
PCP.2.12	RAU8970 453.12		PCP.2.12	RAU8970 453.12					PCP.2.12	RAU8970 453.12		PCP.2.12	RAU8970 453.12	
PCP.2.60	RAU8970 453.60		PCP.2.60	RAU8970 453.60					PCP.2.60	RAU8970 453.60		PCP.2.60	RAU8970 453.60	
PCP.3.12	RAU8970 454.12		PCP.3.12	RAU8970 454.12					PCP.3.12	RAU8970 454.12		PCP.3.12	RAU8970 454.12	
PCP.3.60	RAU8970 454.60		PCP.3.60	RAU8970 454.60					PCP.3.60	RAU8970 454.60		PCP.3.60	RAU8970 454.60	
PCP.4.12	RAU8970 455.12		PCP.4.12	RAU8970 455.12					PCP.4.12	RAU8970 455.12		PCP.4.12	RAU8970 455.12	
PCP.4.60	RAU8970 455.60		PCP.4.60	RAU8970 455.60					PCP.4.60	RAU8970 455.60		PCP.4.60	RAU8970 455.60	
FU103			FU103			FU103			FU103			FU103		
BTVP15	RAU8970 460.01		BTVP15	RAU8970 460.01		BTVP15	RAU8970 460.01		BTVP15	RAU8970 460.01		BTVP15	RAU8970 460.01	
BTVP30	RAU8970 460.02		BTVP30	RAU8970 460.02		BTVP30	RAU8970 460.02		BTVP30	RAU8970 460.02		BTVP30	RAU8970 460.02	

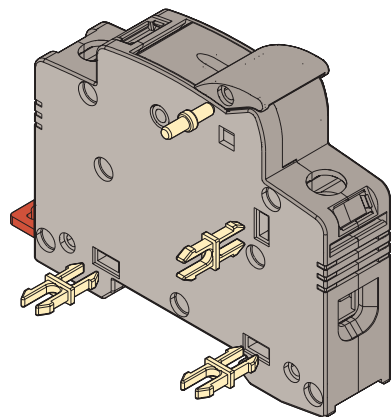
### Assembly kit



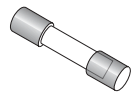
KE8-10 0206 125.24

The kit is composed of 10 packages of these 4 parts.

2 poles assembly



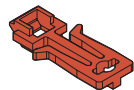
### Fuses



FU103 - 10,3 x 38 mm - 500 V		
Current	Distribution (gG)	Motor protection (aM)
0,6 A	consult us	0167 086.11
1 A	consult us	0167 087.12
2 A	0167 076.26	0167 088.23
4 A	0167 077.27	0167 089.24
6 A	0167 078.00	0167 090.21
8 A	0167 079.01	0167 091.16
10 A	0167 080.27	0167 092.17
12 A	0167 081.14	consult us
16 A	0167 082.15	0167 094.11
20 A	0167 083.16	0167 095.12
25 A	0167 084.17	consult us
32 A	0167 085.10	consult us

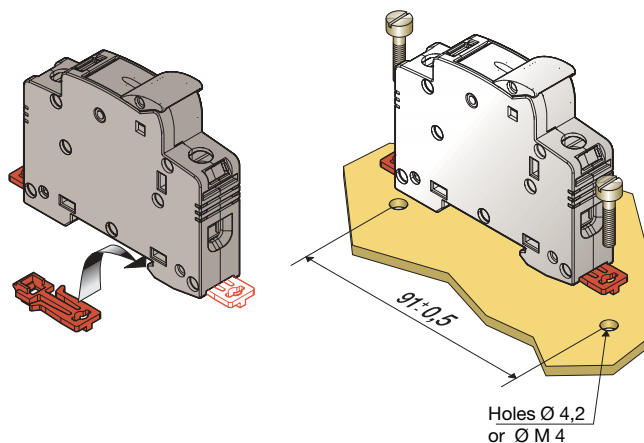
FU853 - 8,5 x 31,5 mm	
Current	Part number
2 A	0167 086.11
4 A	0167 087.12
6 A	0167 076.26
10 A	0167 077.27
16 A	0167 078.00
20 A	0167 079.01

### Plate mounting



FT1 0399 371.13

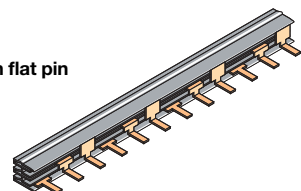
Screw (M4) not delivered



Holes Ø 4,2 or Ø M 4

### Jumper bar

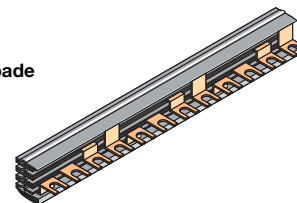
With flat pin



isolated flat pin 10 mm<sup>2</sup>

Number of poles	Number of modules	Dimensions (mm)	Type	Part number
1	12	210	PCP.1.12	RAU8970 452.12
1	13	225	PCP.1.13	RAU8970 452.13
1	57	1000	PCP.1.57	RAU8970 452.57
2	12	210	PCP.2.12	RAU8970 453.12
2	60	1065	PCP.2.60	RAU8970 453.60
3	12	210	PCP.3.12	RAU8970 454.12
3	60	1065	PCP.3.60	RAU8970 454.60
4	12	210	PCP.4.12	RAU8970 455.12
4	60	1065	PCP.4.60	RAU8970 455.60

With spade



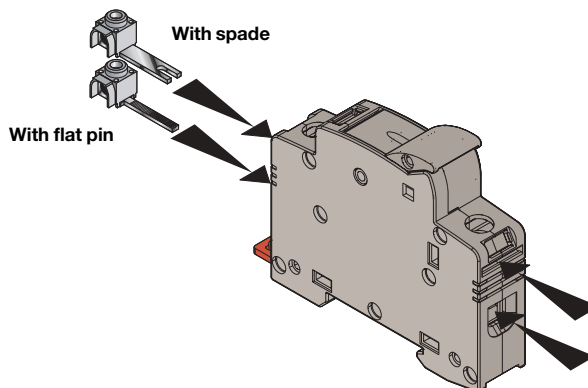
isolated spade 10 mm<sup>2</sup>

Number of poles	Number of modules	Dimensions (mm)	Type	Part number
1	12	210	PCF.1.12	RAU8970 456.12
1	57	1000	PCF.1.57	RAU8970 456.57
2	12	210	PCF.2.12	RAU8970 457.12
2	60	1065	PCF.2.60	RAU8970 457.60
3	12	210	PCF.3.12	RAU8970 458.12
3	60	1065	PCF.3.60	RAU8970 458.60
4	12	210	PCF.4.12	RAU8970 459.12
4	60	1065	PCF.4.60	RAU8970 459.60

### Terminal block for 25 mm<sup>2</sup> wire

Model	Dimensions (mm)	Type	Part number
with flat pin	15	BTVP 15	RAU8970 460.01
	30	BTVP 30*	RAU8970 460.02
with spade	15	BTVF 15	RAU8970 461.01
	30	BTVF 30*	RAU8970 461.02

\* to be used with jumper bars



### Fuse-holder terminal blocks for 10,3 x 38 mm 13/32 x 1 1/2 in. fuses

#### Compression clamp


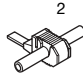



DIN 1 - DIN 3

End stop	th. 9,1 mm	<b>BADL</b>	V0	<b>0199 408.02</b>
End stop	th. 9,1 mm	<b>BAM</b>		<b>0103 002.26</b>
Other end stops : See Accessories section				
Rail	35 x 7,5 x 1	<b>PR30</b>	prepunched	<b>0173 220.05</b>
Rail	35 x 15 x 2,3	<b>PR4</b>		<b>0168 500.12</b>
Rail	35 x 15 x 1,5	<b>PR5</b>	prepunched	<b>0101 598.26</b>
Rail	32 x 15	<b>PR1Z2</b>		<b>0163 050.04</b>
Other rails : See Accessories section				

#### Notes

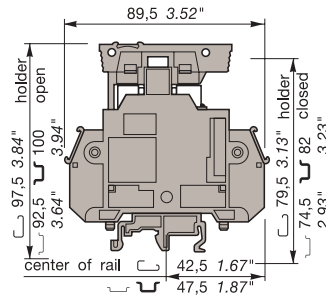
The use of some accessories may decrease the block's voltage rating. For more information, consult us.

#### Accessories



	1 Comb-type jumper bar	70 A
	2 IDC jumper	
	3 Fuse 10,3 x 38 mm - 500 V	
	4 Blown Fuse indicator (2)	
	R See section on markers marking method	

### MB 10/22.SF...

Spacing 22 mm (.866")



22 mm block with or without blown fuse indicator.

Color	Type	Part numbers
Without blown fuse indicator :		
Grey	 <b>MB 10/22.SF</b>	<b>0116 302.23</b>
With blown fuse indicator to be ordered separately :		
Grey	 <b>MB 10/22.SFL</b>	<b>0116 303.24</b>

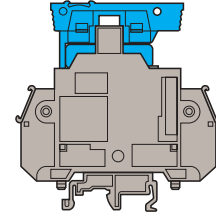
#### Characteristics

Wire size	IEC		UL	CSA
	NFC	DIN		
Compression clamp	Solid wire	0,5-10 mm <sup>2</sup>	18-6 AWG	18-6 AWG
	Stranded wire	0,5-6 mm <sup>2</sup>	18-10 AWG	18-10 AWG


Voltage			
Rated	800 V (1)	600 V (1)	600 V (1)
Pulse			
Pollution degree			
Current			
Rated	30 A	55 A	55 A
Wire size			
Rated / Gauge	6 mm <sup>2</sup>	6 AWG	6 AWG
Wire stripping length	Recomm. screwdriver	Recomm. torque	Protection
12,5 mm .492"	6,5 mm .256"	2,3-4 Nm 20-35 lb.in	IP 10

### MB 10/22.SN

Spacing 22 mm (.866")



22 mm block with disconnect link bar locked on blue holder.

Color	Type	Part numbers
Grey / Blue	 <b>MB 10/22.SN</b>	<b>0116 304.25</b>

#### Characteristics

Wire size	IEC		UL	CSA
	NFC	DIN		
Compression clamp	Solid wire	0,5-10 mm <sup>2</sup>	18-6 AWG	18-6 AWG
	Stranded wire	0,5-6 mm <sup>2</sup>	18-10 AWG	18-10 AWG

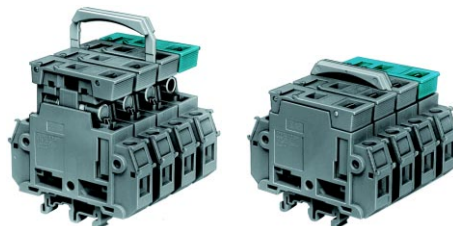
Voltage			
Rated	800 V (1)	600 V	600 V
Pulse			
Pollution degree			
Current			
Rated	30 A	55 A	55 A
Wire size			
Rated / Gauge	6 mm <sup>2</sup>	6 AWG	6 AWG
Wire stripping length	Recomm. screwdriver	Recomm. torque	Protection
12,5 mm .492"	6,5 mm .256"	2,3-4 Nm 20-35 lb.in	IP 10

Type	Part numbers	
<b>PC22</b>	3 poles	<b>0205 295.06</b>
<b>PC22</b>	10 poles	<b>0174 151.25</b>
<b>AD2,5</b>		<b>0114 205.20</b>
<b>FU103</b>	STD	
0,6 A		<b>0167 086.11</b>
1 A		<b>0167 087.12</b>
2 A	<b>0167 076.26</b>	<b>0167 088.23</b>
4 A	<b>0167 077.27</b>	<b>0167 089.24</b>
6 A	<b>0167 078.00</b>	<b>0167 090.21</b>
8 A	<b>0167 079.01</b>	<b>0167 091.16</b>
10 A	<b>0167 080.27</b>	<b>0167 092.17</b>
12 A	<b>0167 081.14</b>	
16 A	<b>0167 082.15</b>	<b>0167 094.11</b>
20 A	<b>0167 083.16</b>	<b>0167 095.12</b>
25 A	<b>0167 084.17</b>	
32 A	<b>0167 085.10</b>	
<b>LEN (2)</b>	Neon 110 - 230 V	<b>0167 075.25</b>
<b>LEN (2)</b>	Neon 480 V AC	<b>0103 909.00</b>
Leakage current with neon indicator < 0,5 mA (110 & 480 V AC) < 0,7 mA (230 V AC)		
	LED 24VDC	<b>0175 423.17</b>
max. leakage current 5.2ma		

Type	Part numbers	
<b>PC22</b>	3 poles	<b>0205 295.06</b>
<b>PC22</b>	10 poles	<b>0174 151.25</b>
<b>AD2,5</b>		<b>0114 205.20</b>

⑥ on top of the block  
 Note : (1) Insulation voltage of terminal block - operating voltage : in accordance with fuse rating.  
 (2) Only for P/N : 0116 303.24

#### Disconnect assemblies



<b>MB 10/22.S1N</b>	1 pole + neutral	<b>0116 287.14</b>
<b>MB 10/22.S2</b>	2 poles	<b>0116 290.23</b>
<b>MB 10/22.S2N</b>	2 poles + neutral	<b>0116 269.01</b>
<b>MB 10/22.S3</b>	3 poles	<b>0116 293.12</b>
<b>MB 10/22.S3N</b>	3 poles + neutral	<b>0116 272.24</b>
<b>MB 10/22.S4</b>	4 poles	<b>0116 296.15</b>

### Fuse holder terminal blocks with screwed plugs for 10,3 x 38 mm 13/32 x 1 1/2 in. and DO1 - DO2 fuses

#### Compression clamp

DIN 1 - DIN 3

End stop	th. 9,1 mm	<b>BADL</b>	V0	<b>0199 408.02</b>
End stop	th. 9,1 mm	<b>BAM</b>		<b>0103 002.26</b>
Other end stops : See Accessories section				
Rail	35 x 7,5 x 1	<b>PR30</b>	prepunched	<b>0173 220.05</b>
Rail	35 x 15 x 2,3	<b>PR4</b>		<b>0168 500.12</b>
Rail	35 x 15 x 1,5	<b>PR5</b>	prepunched	<b>0101 598.26</b>
Other rails : See Accessories section				

#### Notes

The use of some accessories may decrease the block's voltage rating. For more information, consult us.

#### Accessories

- 1 Standard jumper bar
  - 2 IDC jumper
  - 3 Fuse 10,3 x 38 mm 500 V
- 

Fuse DO1 380 V

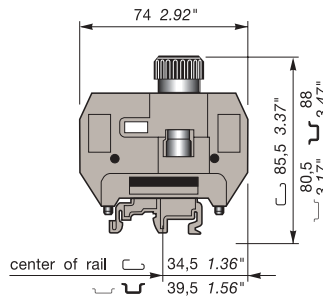
Fuse DO2 380 V



R See section on markers marking method

### MB 10/24.SF...

Spacing 24 mm (.950")



24 mm closed thermoset block for 10,3 x 38 and DO1 fuses.

Color	Type	Part numbers
Grey / white plug for 10,3 x 38 <sup>13/32</sup> x 1 1/2 fuses		<b>MB 10/24.SF</b> 0116 299.20
Grey / black plug for DO1 fuses		<b>MB 10/24.SF1</b> 0116 298.27

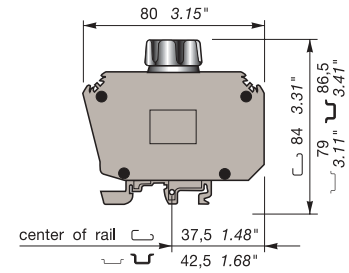
#### Characteristics

Wire size	NFC DIN			UL	CSA
	Compression	Solid wire	0,5-16 mm <sup>2</sup>	18-8 AWG	18-6 AWG
clamp	Stranded wire	0,5-10 mm <sup>2</sup>	18-8 AWG	18-6 AWG	

Voltage			
Rated	750 Gr.C (1)	600 V	600 V
Pulse			
Pollution degree			
Current			
Rated	32 A	35 A	30 A
Wire size			
Rated / Gauge	10 mm <sup>2</sup>	8 AWG	6 AWG
Wire stripping length	Recomm. screwdriver	Recomm. torque	Protection
13 mm .51"	6 mm .236"	1,2-1,4 Nm 10.6-12.3 lb.in	IP 10

### MB 25/30.SF

Spacing 30 mm (1.180")



30 mm closed block for DO2 fuses.

Color	Type	Part numbers
Grey / black plug for DO2 fuses		<b>MB 25/30.SF</b> 0116 305.26

#### Characteristics

Wire size	NFC DIN			UL	CSA
	Compression	Solid wire	0,75-25 mm <sup>2</sup>		
clamp	Stranded wire	0,75-25 mm <sup>2</sup>			

Voltage			
Rated	750 Gr.C (1)		
Pulse			
Pollution degree			
Current			
Rated	63 A		
Wire size			
Rated / Gauge	25 mm <sup>2</sup>		
Wire stripping length	Recomm. screwdriver	Recomm. torque	Protection
10 mm .394"	8 mm .315"	2-2,5 Nm 17.4-21.7 lb.in	IP 10

Type	Part numbers	
<b>BJS24</b> 30 A 10 poles	<b>0167 856.21</b>	
<b>AD2,5</b> 24 A	<b>0114 205.20</b>	
<b>FU103</b> STD	Slow.Blow	
0,5 A	<b>0167 086.11</b>	
1 A	<b>0167 087.12</b>	
2 A	<b>0167 076.26</b>	<b>0167 088.23</b>
4 A	<b>0167 077.27</b>	<b>0167 089.24</b>
6 A	<b>0167 078.00</b>	<b>0167 090.21</b>
8 A	<b>0167 079.01</b>	<b>0167 091.16</b>
10 A	<b>0167 080.27</b>	<b>0167 092.17</b>
12 A	<b>0167 081.14</b>	<b>0167 093.10</b>
16 A	<b>0167 082.15</b>	<b>0167 094.11</b>
20 A	<b>0167 083.16</b>	<b>0167 095.12</b>
25 A	<b>0167 084.17</b>	
32 A	<b>0167 085.10</b>	
<b>FUD1</b> DO1	Gauge	
2 A	<b>0167 848.01</b> pink	<b>0167 844.25</b>
4 A	<b>0167 849.02</b> brown	<b>0167 845.26</b>
6 A	<b>0167 850.07</b> green	<b>0167 846.27</b>
10 A	<b>0167 851.24</b> red	<b>0167 847.20</b>
16 A	<b>0167 852.25</b>	

Type	Part numbers	
<b>BJS24</b> 30 A 10 poles	<b>0167 856.21</b>	
<b>AD2,5</b> 24 A	<b>0114 205.20</b>	
<b>FUD2</b> DO2	Gauge	
20 A	<b>0174 072.21</b> blue	<b>0174 094.10</b>
25 A	<b>0174 073.22</b> yellow	<b>0174 095.11</b>
35 A	<b>0174 074.23</b> black	<b>0174 104.27</b>
50 A	<b>0174 075.24</b> white	<b>0174 105.20</b>
63 A	<b>0174 076.25</b>	

(6) Sides of block

(17) Sides of block (26)

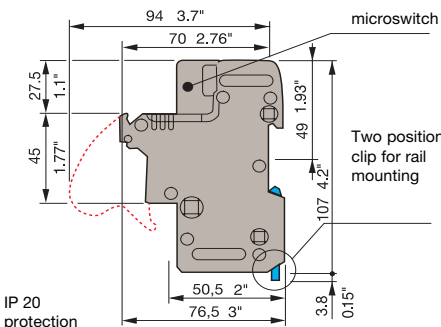
Note : (1) Insulation voltage of terminal block - operating voltage : In accordance with fuse rating.



### Modular fuse-holder for 14 x 51 mm 9/16 x 2 in. fuses



DIN 3



Standards : IEC 269-2-1, IEC 947-3

Rail		35 x 7.5 x 1	PR30	prepunched	0164 800.03
Rail		35 x 15 x 2.3	PR4		0168 500.12
Rail		35 x 15 x 1.5	PR5	prepunched	0101 598.26

#### Reference

Microswitch description (see page 160)	Standard	FE14.1	RFS1001.13
	With indicator (microswitch in accessory)	FE14.1.I	RFS1001.46
Indicator : 120 V min. 690 V max.	With microswitch	FE14.1.M	RFS1001.18

#### Characteristics

		IEC	UL	CSA
Wire size	Solid wire	1.5-35	16-2 AWG	16-2 AWG
	Stranded wire	1.5-35		
mm <sup>2</sup> AWG				
Voltage max. (1)	V AC ~/= DC	690 (1)	600	600
Current max. (1)	A	50 (1)	30	30
Rated wire size	mm <sup>2</sup> / AWG	35 mm <sup>2</sup>	2 AWG	2 AWG
Wire stripping length	mm / inches	12 mm / .47"		
Recommended torque	Nm / lb.in	3 Nm / 26.4 lb.in.		

### FE14.1...

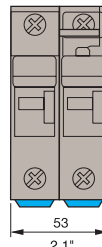
Spacing 26,5 mm (1.04")  
1.5 modules



1 pole

### FE14.2...

Spacing 53 mm (2.08")  
3 modules

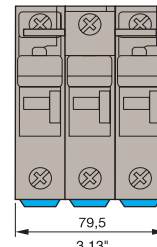


2 poles

\* 1 microswitch  
controlling 2 poles

### FE14.3...

Spacing 79,5 mm (3.12")  
4.5 modules



3 poles

\*\* 1 microswitch  
controlling 3 poles

#### (1) Influence of voltage on I max. current

Voltage	I max.
690 V	25 A
400 V	50 A

#### Influence of number of poles on I max. current

No. of poles	I max.
1-2-3	In
4-5-6	0,80 x In
7-8-9	0,70 x In
> 10	0,60 x In

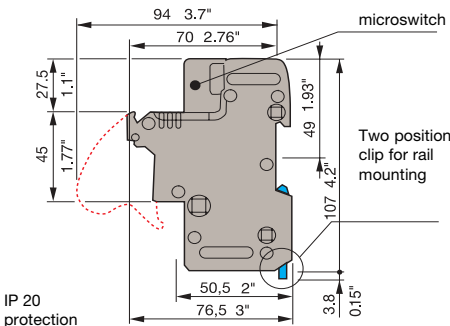
#### Influence of ambient temperature on I max. current

Temp.	I max.
20°C	In
30°C	0,95 x In
40°C	0,90 x In
50°C	0,80 x In

### Modular fuse-holder for 14 x 51 mm fuses (9/16 x 2 in.)



DIN 3



Standards : IEC 269-2-1, IEC 947-3

Rail		35 x 7.5 x 1	PR30	prepunched	0164 800.03
Rail		35 x 15 x 2.3	PR4		0168 500.12
Rail		35 x 15 x 1.5	PR5	prepunched	0101 598.26

#### Reference

Microswitch description (see page 160)	Standard	FE14.N	RFS1001.31
	With indicator		
Indicator : 120 V min. 690 V max.	With microswitch		

#### Characteristics

		IEC	UL	CSA
Wire size	Solid wire	1.5-35	16-2 AWG	16-2 AWG
	Stranded wire	1.5-35		
mm <sup>2</sup> AWG				
Voltage max. (1)	V AC ~/= DC	690 (1)	600	600
Current max. (1)	A	50 (1)	30	30
Rated wire size	mm <sup>2</sup> / AWG	35 mm <sup>2</sup>	2 AWG	2 AWG
Wire stripping length	mm / inches	12 mm / .47"		
Recommended torque	Nm / lb.in	3 Nm / 26.4 lb.in.		

### FE14.N

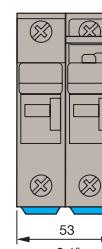
Spacing 26,5 mm (1.04")  
1.5 modules



1 neutral

### FE14.1N...

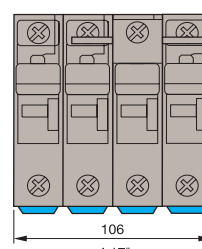
Spacing 53 mm (2.08")  
3 modules



1 neutral + 1 pole

### FE14.3N...

Spacing 79,5 mm (3.12")  
4.5 modules



1 neutral + 3 poles

\* 1 microswitch  
controlling 3 poles

#### (1) Influence of voltage on I max. current

Voltage	I max.
690 V	25 A
400 V	50 A

#### Influence of number of poles on I max. current

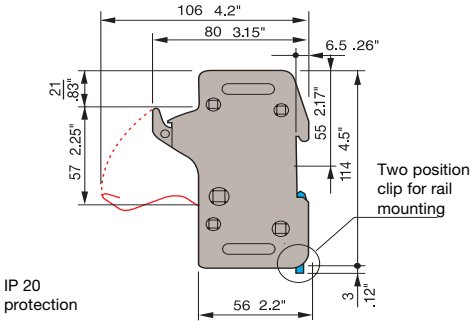
No. of poles	I max.
1-2-3	In
4-5-6	0,80 x In
7-8-9	0,70 x In
> 10	0,60 x In

#### Influence of ambient temperature on I max. current

Temp.	I max.
20°C	In
30°C	0,95 x In
40°C	0,90 x In
50°C	0,80 x In

### Modular fuse-holder CE

for 21 x 57 mm 13/16 x 2 1/4 in. fuses  
Class J - DIN 3



Standard : UL listed, file No E196143

Rail	35 x 7.5 x 1	PR30	prepunched	0164 800.03
Rail	35 x 15 x 2.3	PR4		0168 500.12
Rail	35 x 15 x 1.5	PR5	prepunched	0101 598.26

Reference		Type	P/N
Indicator : 90 VAC - 115 VDC min. 600 VAC/DC max.	Standard	FJ21.1	RFS1001.01
	With indicator	FJ21.1.I	RFS1001.04

Characteristics		IEC	UL	CSA
Wire size	Solid wire	2.5-50	14-0 AWG	14-0 AWG
	Stranded wire	2.5-50		
mm <sup>2</sup> AWG				
Voltage	V AC ~ / DC	600	600	
Current	A	30	30	
Rated wire size	mm <sup>2</sup> / AWG	0 AWG	0 AWG	
Wire stripping length	mm / inches	13 mm / .51"		
Recommended torque	Nm / lb.in	4 Nm / 35.2 lb.in.		

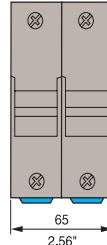
### FJ21.1... Spacing 32,5 mm (1.28")



1 pole



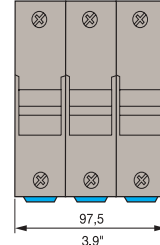
### FJ21.2... Spacing 65 mm (2.56")



2 poles



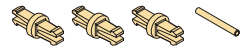
### FJ21.3... Spacing 97,5 mm (3.84")



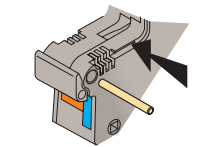
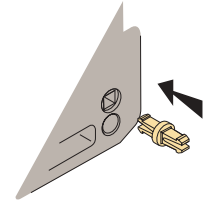
3 poles



### Assembly kit

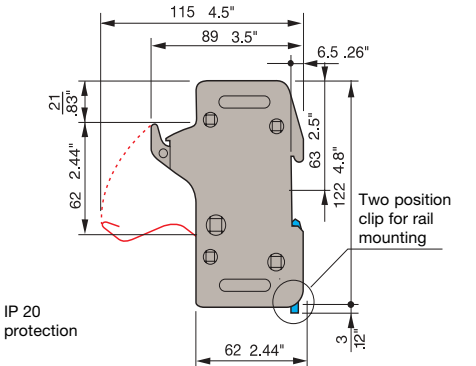


KJ21 RFS1001.33



### Modular fuse-holder CE

for 27 x 60 mm fuses (1 1/16 x 2 3/8 in.)  
Class J - DIN 3



Standard : UL listed, file No E196143

Rail	35 x 7.5 x 1	PR30	prepunched	0164 800.03
Rail	35 x 15 x 2.3	PR4		0168 500.12
Rail	35 x 15 x 1.5	PR5	prepunched	0101 598.26

Reference		Type	P/N
Indicator : 90 VAC - 115 VDC min. 600 VAC/DC max.	Standard	FJ27.1	RFS1001.07
	With indicator	FJ27.1.I	RFS1001.10

Characteristics		IEC	UL	CSA
Wire size	Solid wire	2.5-50	14-0 AWG	14-0 AWG
	Stranded wire	2.5-50		
mm <sup>2</sup> AWG				
Voltage	V AC ~ / DC	600	600	
Current	A	30	30	
Rated wire size	mm <sup>2</sup> / AWG	0 AWG	0 AWG	
Wire stripping length	mm / inches	13 mm / .51"		
Recommended torque	Nm / lb.in	5.2 Nm / 45.8 lb.in.		

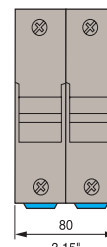
### FJ27.1... Spacing 40 mm (1.57")



1 pole



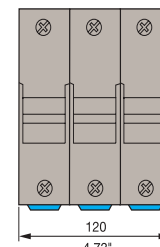
### FJ27.2... Spacing 80 mm (3.15")



2 poles



### FJ27.3... Spacing 120 mm (4.72")



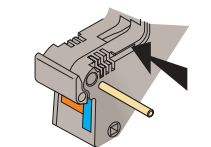
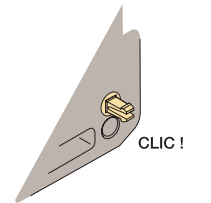
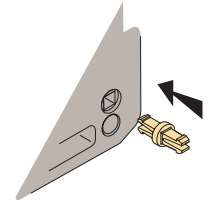
3 poles



### Assembly kit



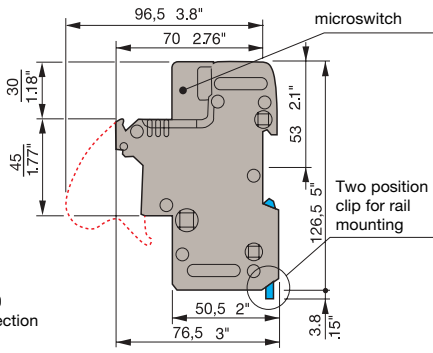
KJ27 RFS1001.36



### Modular fuse-holder for 22 x 58 mm 7/8 x 2 1/4 in. fuses



DIN 3



IP 20 protection

Standards : IEC 269-2-1, IEC 947-3

Rail	35 x 7.5 x 1	PR30	prepunched	0164 800.03
Rail	35 x 15 x 2.3	PR4		0168 500.12
Rail	35 x 15 x 1.5	PR5	prepunched	0101 598.26

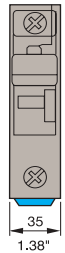
#### Reference

Microswitch description (see page 160)	Standard
	With indicator (microswitch in accessory)
Indicator : 120 V min. 690 V max.	With microswitch

#### Characteristics

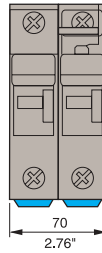
Wire size	Solid wire	1.5-50	16-0 AWG	16-0 AWG
	Stranded wire	1.5-50		
mm <sup>2</sup> AWG				
Voltage max. (1)	V AC ~/= DC	690 (1)	600	600
Current max. (1)	A	125 (1)	30	30
Rated wire size	mm <sup>2</sup> / AWG	50 mm <sup>2</sup>	0 AWG	0 AWG
Wire stripping length	mm / inches	16 mm / .63"		
Recommended torque	Nm / lb.in	4 Nm / 35.2 lb.in.		

**FE22.1...**  
Spacing 35 mm (1.38")  
2 modules



1 pole

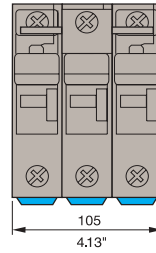
**FE22.2...**  
Spacing 70 mm (2.76")  
4 modules



2 poles

\* 1 microswitch controlling 2 poles

**FE22.3...**  
Spacing 105 mm (4.13")  
6 modules



3 poles

\*\* 1 microswitch controlling 3 poles

(1) Influence of voltage on I max. current

Voltage	I max.
690 V	80 A
400 V	125 A

Influence of number of poles on I max. current

No. of poles	I max.
1-2-3	In
4-5-6	0,80 x In
7-8-9	0,70 x In
> 10	0,60 x In

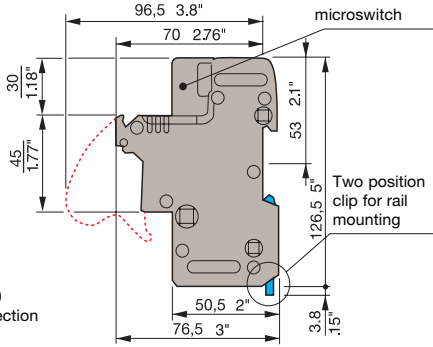
Influence of ambient temperature on I max. current

Temp.	I max.
20°C	In
30°C	0,95 x In
40°C	0,90 x In
50°C	0,80 x In

### Modular fuse-holder for 22 x 58 mm fuses (7/8 x 2 1/4 in.)



DIN 3



IP 20 protection

Standards : IEC 269-2-1, IEC 947-3

Rail	35 x 7.5 x 1	PR30	prepunched	0164 800.03
Rail	35 x 15 x 2.3	PR4		0168 500.12
Rail	35 x 15 x 1.5	PR5	prepunched	0101 598.26

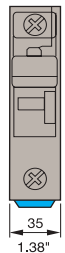
#### Reference

Microswitch description (see page 160)	Standard
	With indicator
Indicator : 120 V min. 690 V max.	With microswitch

#### Characteristics

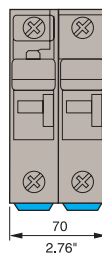
Wire size	Solid wire	1.5-50	16-0 AWG	16-0 AWG
	Stranded wire	1.5-50		
mm <sup>2</sup> AWG				
Voltage max. (1)	V AC ~/= DC	690 (1)	600	600
Current max. (1)	A	125 (1)	30	30
Rated wire size	mm <sup>2</sup> / AWG	50 mm <sup>2</sup>	0 AWG	0 AWG
Wire stripping length	mm / inches	16 mm / .63"		
Recommended torque	Nm / lb.in	4 Nm / 35.2 lb.in.		

**FE22.N**  
Spacing 35 mm (1.38")  
2 modules



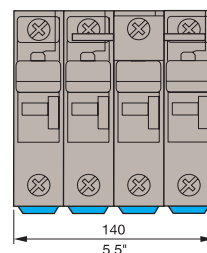
1 neutral

**FE22.1N...**  
Spacing 70 mm (2.76")  
4 modules



1 neutral + 1 pole

**FE22.3N...**  
Spacing 140 mm (4.13")  
8 modules



1 neutral + 3 poles

\* 1 microswitch controlling 3 poles

(1) Influence of voltage on I max. current

Voltage	I max.
690 V	80 A
400 V	125 A

Influence of number of poles on I max. current

No. of poles	I max.
1-2-3	In
4-5-6	0,80 x In
7-8-9	0,70 x In
> 10	0,60 x In

Influence of ambient temperature on I max. current

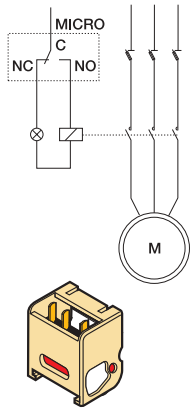
Temp.	I max.
20°C	In
30°C	0,95 x In
40°C	0,90 x In
50°C	0,80 x In

# Accessories for FE14 and FE22

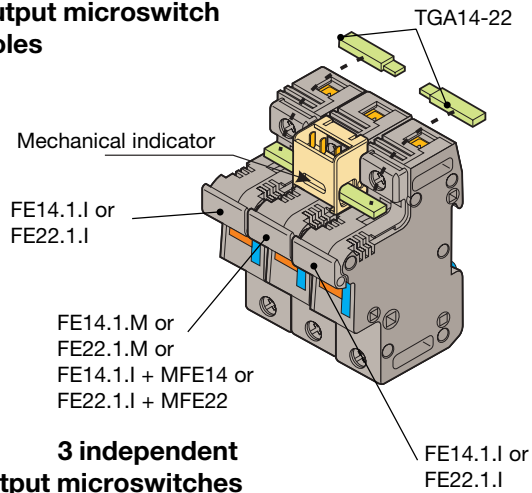
## Microswitches

The microswitch must be preassembled in the fuse holder assembly (FE14.1.I or FE22.1.I). The assembly indicates fuse presence or fuse status. (Fuse with striking pin). The microswitch is equipped with a red mechanical indicator.

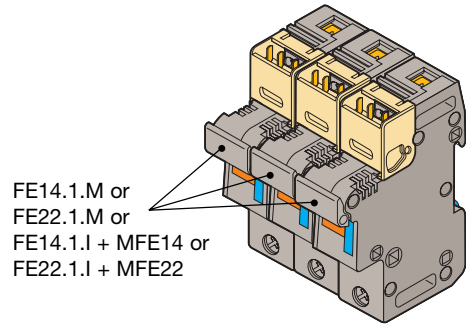
### Application example



### 1 output microswitch 3 poles



### 3 independent output microswitches



<b>MFE14</b>	<b>RFS1001.67</b>
<b>MFE22</b>	<b>RFS1001.68</b>

Microswitch characteristics		
Interrupt rating (1)	Voltage	Rated current
AC12	250 V	6 A
AC13	250 V	3 A
AC14	250 V	3 A
DC12/13/14	250 V	0.1 A
DC12/13	2 V - 24 V	6 A
AC13	2 V - 24 V	5 A
AC14/DC13	2 V - 24 V	3 A
DC14	2 V - 24 V	0.6 A

(1) According to IEC 947-5 standard

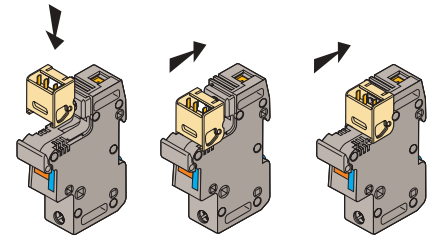
### Microswitch enlargement pin

For FE14.1... and FE22.1...

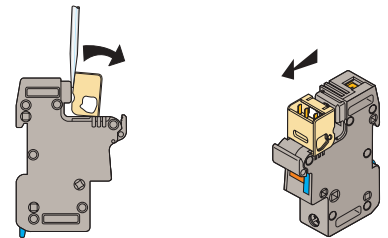


TGA 14-22 RFS1001.66

### Assembly



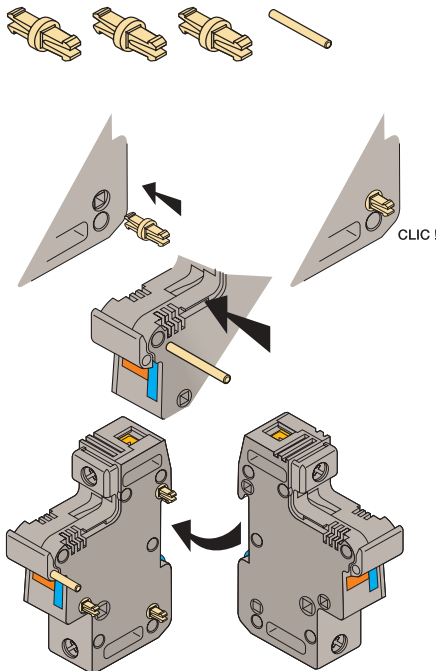
### Disassembly



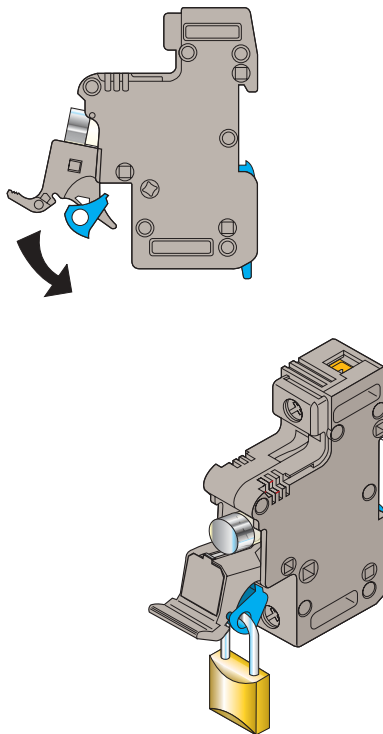
### Assembly kit

**KE14-22 RFS1001.65**

The kit is composed of 10 packages of these 4 parts.



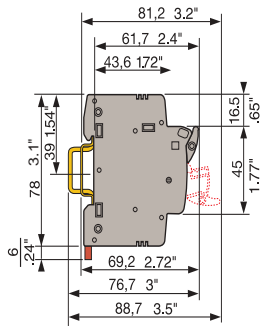
### Fuse-holder lock installation



# Modular fuse-holder for CC fuses



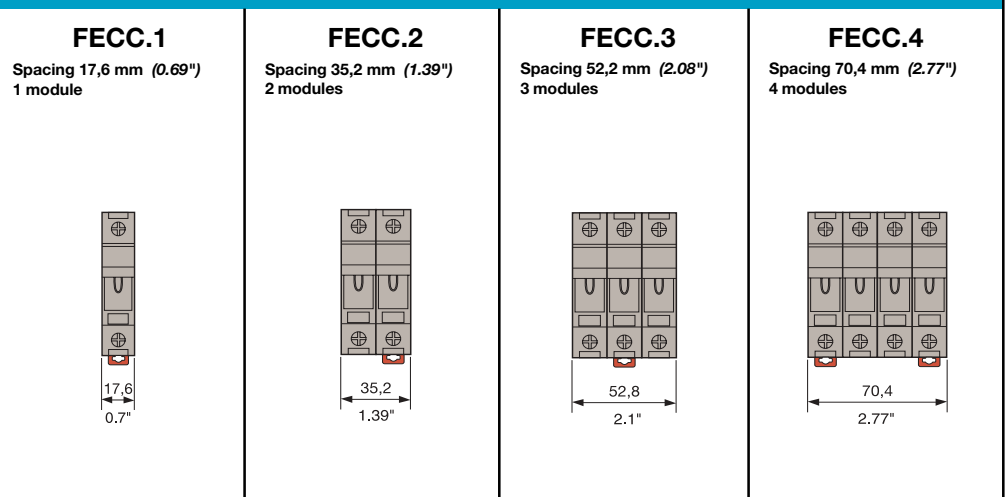
DIN 3



IP20 protection  
Standards : IEC 947-3 / 269-2

Rail		35 x 7.5 x 1 PR30	prepunched	0164 800.03
Rail		35 x 15 x 2.3 PR4		0168 500.12
Rail		35 x 15 x 1.5 PR5	prepunched	0101 598.26

The assembly of more than 3 modular fuse-holders equipped with fuses could downgrade rated current. Consult us.

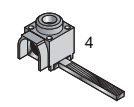


Reference	1 pole			2 poles			3 poles			4 poles		
	Type	P/N		Type	P/N		Type	P/N		Type	P/N	
Standard	FECC.1	8711 618.02		FECC.2	8712 618.02		FECC.3	8713 618.02		FECC.4	8714 618.02	
With blown-fuse indicator	FECC.1	8711 618.21	24-48 AC/DC / 48-115 VAC									
With blown-fuse indicator	FECC.1	8711 618.22	115-690 VAC									

Blown fuse-indicator leakage current :  
 < 0,5 mA at 24 V  
 < 1 mA at 48 V  
 < 2,5 mA at other voltages

Characteristics	IEC	UL pending	CSA pending	IEC	UL pending	CSA pending	IEC	UL pending	CSA pending	IEC	UL pending	CSA pending
Wire size	0.5-16	20-6 AWG	20-6 AWG	0.5-16	20-6 AWG	20-6 AWG	0.5-16	20-6 AWG	20-6 AWG	0.5-16	20-6 AWG	20-6 AWG
mm <sup>2</sup> AWG	0.5-10			0.5-10			0.5-10			0.5-10		
Gauge	A5			A5			A5			A5		
Rated voltage	V	AC ~/= DC	600	600	600	600	600	600	600	600	600	600
Rated current	A		30	30	30	30	30	30	30	30	30	30
Rated wire size	mm <sup>2</sup> / AWG		6 mm <sup>2</sup> / 6 AWG	6 AWG	6 mm <sup>2</sup> / 6 AWG	6 AWG	6 mm <sup>2</sup> / 6 AWG	6 AWG	6 AWG	6 mm <sup>2</sup> / 6 AWG	6 AWG	6 AWG
Wire stripping length	mm / inches		12 mm / .47"		12 mm / .47"		12 mm / .47"		12 mm / .47"		12 mm / .47"	
Recommended torque	Nm / lb.in		1.2 Nm / 10.6 lb.in		1.2 Nm / 10.6 lb.in		1.2 Nm / 10.6 lb.in		1.2 Nm / 10.6 lb.in		1.2 Nm / 10.6 lb.in	

Accessories	Type	P/N	Type	P/N	Type	P/N	Type	P/N
1 Plate mounting kit	FT1	0399 371.13	FT1	0399 371.13	FT1	0399 371.13	FT1	0399 371.13
2 Assembly Kit	KE8-10	0206 125.24	KE8-10	0206 125.24	KE8-10	0206 125.24	KE8-10	0206 125.24
3 Flat pin jumper bar	PCP.1.12	RAU8970 452.12	PCP.1.12	RAU8970 452.12	PCP.1.12	RAU8970 452.12	PCP.1.12	RAU8970 452.12
63 A unipolar	PCP.1.13	RAU8970 452.13	PCP.1.13	RAU8970 452.13	PCP.1.13	RAU8970 452.13	PCP.1.13	RAU8970 452.13
unipolar	PCP.1.57	RAU8970 452.57	PCP.1.57	RAU8970 452.57	PCP.1.57	RAU8970 452.57	PCP.1.57	RAU8970 452.57
isolated IP20	PCP.2.12	RAU8970 453.12	PCP.2.12	RAU8970 453.12	PCP.2.12	RAU8970 453.12	PCP.2.12	RAU8970 453.12
bipolar	PCP.2.60	RAU8970 453.60	PCP.2.60	RAU8970 453.60	PCP.2.60	RAU8970 453.60	PCP.2.60	RAU8970 453.60
(see accessories, page 154)	PCP.3.12	RAU8970 454.12	PCP.3.12	RAU8970 454.12	PCP.3.12	RAU8970 454.12	PCP.3.12	RAU8970 454.12
bipolar	PCP.3.60	RAU8970 454.60	PCP.3.60	RAU8970 454.60	PCP.3.60	RAU8970 454.60	PCP.3.60	RAU8970 454.60
tripolar	PCP.4.12	RAU8970 455.12	PCP.4.12	RAU8970 455.12	PCP.4.12	RAU8970 455.12	PCP.4.12	RAU8970 455.12
tripolar	PCP.4.60	RAU8970 455.60	PCP.4.60	RAU8970 455.60	PCP.4.60	RAU8970 455.60	PCP.4.60	RAU8970 455.60
tetrapolar	BTVP15	RAU8970 460.01	BTVP15	RAU8970 460.01	BTVP15	RAU8970 460.01	BTVP15	RAU8970 460.01
tetrapolar	BTVP30	RAU8970 460.02	BTVP30	RAU8970 460.02	BTVP30	RAU8970 460.02	BTVP30	RAU8970 460.02



R See section on markers

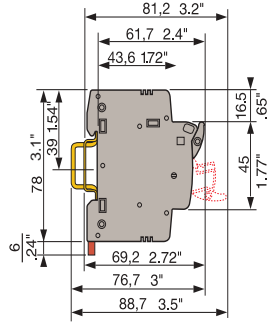


RC55 - RC510

# Modular fuse-holder for domestic fuses



DIN 3



IP20 protection  
Standards : IEC 947-3 / 269-2

Rail		35 x 7.5 x 1 PR30	prepunched	0164 800.03
Rail		35 x 15 x 2.3 PR4		0168 500.12
Rail		35 x 15 x 1.5 PR5	prepunched	0101 598.26

**FE...1N.C1**  
Spacing 17,6 mm (0.69")  
1 module



2 poles : 1 phase + neutral

**FE...1N.C...**  
Spacing 17,6 mm (0.69")  
1 module



2 poles : 1 phase + neutral

Reference	Type	P/N	Type	P/N
For 8,5 x 23 fuse Size 10 A	FE8.1N.C1	8721 468.01		
For 10,3 x 25,8 fuse Size 16 A	FE10.1N.C1	8721 528.01		
For 8,5 x 31,5 fuse Size 20 A			FE8.1N.C	8721 568.01
For 10,3 x 31,5 fuse Size 25 A			FE10.1N.C2	8721 588.01
For 10,3 x 38 fuse Size 32 A			FE10.1N.C	8721 628.01

Characteristics		IEC	UL	CSA	IEC	UL	CSA
Wire size mm <sup>2</sup> AWG	Solid wire	0.5-6	20-8 AWG	20-8 AWG	0.5-6	20-8 AWG	20-8 AWG
	Stranded wire	0.5-10			0.5-10		
	Gauge	A4			A4		
Rated voltage	V AC ~/= DC	250	600	600	400	600	600
Rated current	A		30	30		30	30
Rated wire size	mm <sup>2</sup> / AWG	6 mm <sup>2</sup>	8 AWG	8 AWG	6 mm <sup>2</sup>	8 AWG	8 AWG
Wire stripping length	mm / inches	12 mm / .47"		12 mm / .47"			
Recommended torque	Nm / lb.in	1.2 Nm / 10.6 lb.in		1.2 Nm / 10.6 lb.in			

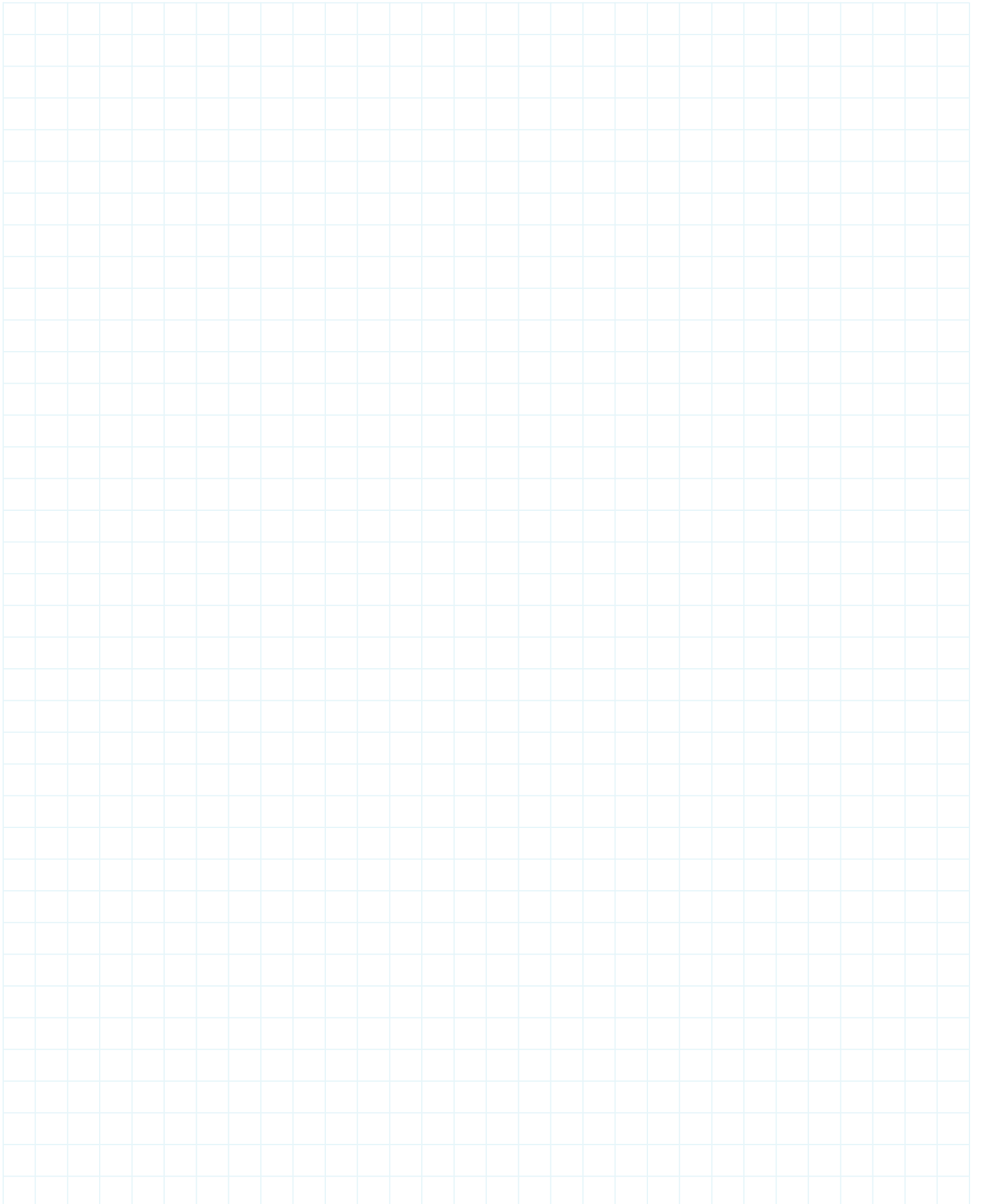
Accessories		Type	P/N	Type	P/N	
	1 Plate mounting kit	FT1	0399 371.13	FT1	0399 371.13	
		2 Assembly Kit multipolar	KE8-10	0206 125.24	KE8-10	0206 125.24
		3 Flat pin jumper bar unipolar 63 A	PCP.1.12	RAU8970 452.12	PCP.1.12	RAU8970 452.12
		isolated IP20 unipolar (see accessories, page 154)	PCP.1.13	RAU8970 452.13	PCP.1.13	RAU8970 452.13
	4 Flat pin terminal 15 mm	BTVP15	RAU8970 460.01	BTVP15	RAU8970 460.01	
	30 mm	BTVP30	RAU8970 460.02	BTVP30	RAU8970 460.02	



R See section on markers

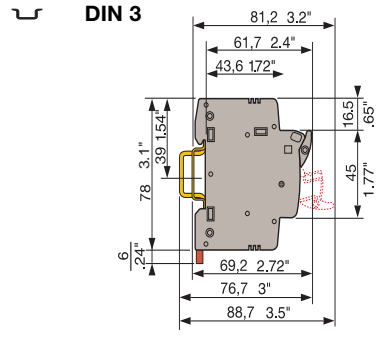
RC55 - RC510

RC55 - RC510



# Dual connection fuse-holder

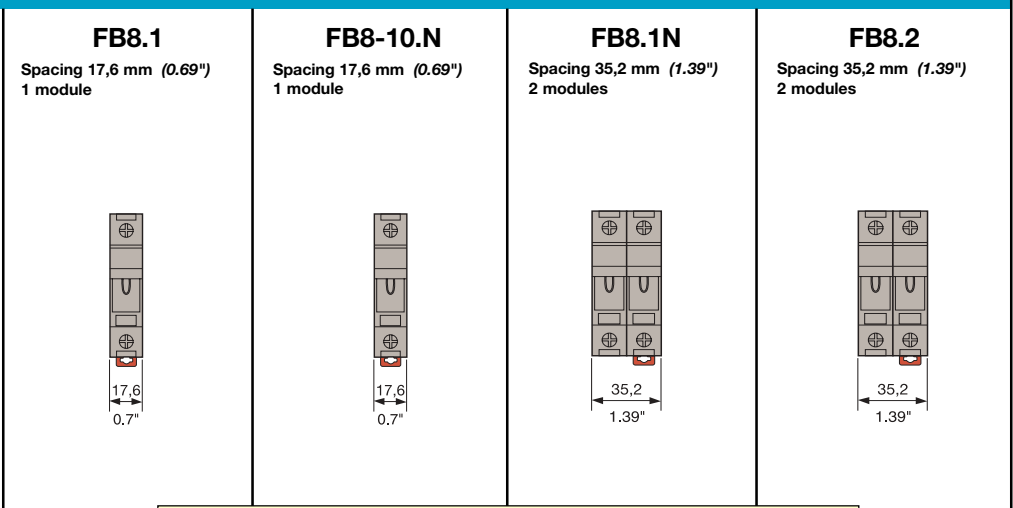
for 8,5 x 31,5 mm 11/32 x 1 1/4 in. fuses



IP20 protection  
Standards : IEC 947-3 / 269-2

Rail		35 x 7.5 x 1 PR30	prepunched	0164 800.03
Rail		35 x 15 x 2.3 PR4		0168 500.12
Rail		35 x 15 x 1.5 PR5	prepunched	0101 598.26

The assembly of more than 3 modular fuse-holders equipped with fuses could downgrade rated current. Consult us.



Reference	Type	P/N	Type	P/N	Type	P/N	Type	P/N
Standard	FB8.1	8711 568.05	FB8-10.N	8711 627.04	FB8.1N	8715 568.05	FB8.2	8712 568.05
With blown-fuse indicator	FB8.1	8711 568.51						
With blown-fuse indicator	FB8.1	8711 568.52			FB8.1N	8715 568.52		

Blown fuse-indicator leakage current :  
< 0,5 mA at 24 V  
< 1 mA at 48 V  
< 2,5 mA at other voltages

Characteristics	IEC			UL			CSA			IEC			UL			CSA		
	Wire size	mm <sup>2</sup>	AWG	Wire size	mm <sup>2</sup>	AWG	Wire size	mm <sup>2</sup>	AWG	Wire size	mm <sup>2</sup>	AWG	Wire size	mm <sup>2</sup>	AWG	Wire size	mm <sup>2</sup>	AWG
Rated voltage	V	AC ~ / = DC		400	300	300	690	300	300	400	300	300	400	300	300	400	300	300
Rated current	A			20	30	30	32	30	30	20	30	30	20	30	30	20	30	30
Rated wire size	mm <sup>2</sup> / AWG			6 mm <sup>2</sup>	6 AWG	6 AWG	6 mm <sup>2</sup>	6 AWG	6 AWG	6 mm <sup>2</sup>	6 AWG	6 AWG	6 mm <sup>2</sup>	6 AWG	6 AWG	6 mm <sup>2</sup>	6 AWG	6 AWG
Wire stripping length	mm / inches			12 mm / .47"			12 mm / .47"			12 mm / .47"			12 mm / .47"					
Recommended torque	Nm / lb.in			1.2 Nm / 10.6 lb.in			1.2 Nm / 10.6 lb.in			1.2 Nm / 10.6 lb.in			1.2 Nm / 10.6 lb.in					

Accessories	Type	P/N	Type	P/N	Type	P/N	Type	P/N
1 Plate mounting kit	FT1	0399 371.13	FT1	0399 371.13	FT1	0399 371.13	FT1	0399 371.13
2 Assembly Kit	KE8-10	0206 125.24	KE8-10	0206 125.24	KE8-10	0206 125.24	KE8-10	0206 125.24
3 Flat pin jumper bar	PCP.1.12	RAU8970 452.12	PCP.1.12	RAU8970 452.12	PCP.1.12	RAU8970 452.12	PCP.1.12	RAU8970 452.12
63 A isolated IP20	PCP.1.13	RAU8970 452.13	PCP.1.13	RAU8970 452.13	PCP.1.13	RAU8970 452.13	PCP.1.13	RAU8970 452.13
unipolar	PCP.1.57	RAU8970 452.57	PCP.1.57	RAU8970 452.57	PCP.1.57	RAU8970 452.57	PCP.1.57	RAU8970 452.57
bipolar	PCP.2.12	RAU8970 453.12	PCP.2.12	RAU8970 453.12	PCP.2.12	RAU8970 453.12	PCP.2.12	RAU8970 453.12
tripolar	PCP.2.60	RAU8970 453.60	PCP.2.60	RAU8970 453.60	PCP.2.60	RAU8970 453.60	PCP.2.60	RAU8970 453.60
tetrapolar	PCP.3.12	RAU8970 454.12	PCP.3.12	RAU8970 454.12	PCP.3.12	RAU8970 454.12	PCP.3.12	RAU8970 454.12
tetrapolar	PCP.3.60	RAU8970 454.60	PCP.3.60	RAU8970 454.60	PCP.3.60	RAU8970 454.60	PCP.3.60	RAU8970 454.60
unipolar	PCP.4.12	RAU8970 455.12	PCP.4.12	RAU8970 455.12	PCP.4.12	RAU8970 455.12	PCP.4.12	RAU8970 455.12
unipolar	PCP.4.60	RAU8970 455.60	PCP.4.60	RAU8970 455.60	PCP.4.60	RAU8970 455.60	PCP.4.60	RAU8970 455.60
bipolar	PCF.1.12	RAU8970 456.12	PCF.1.12	RAU8970 456.12	PCF.1.12	RAU8970 456.12	PCF.1.12	RAU8970 456.12
bipolar	PCF.1.57	RAU8970 456.57	PCF.1.57	RAU8970 456.57	PCF.1.57	RAU8970 456.57	PCF.1.57	RAU8970 456.57
tripolar	PCF.2.12	RAU8970 457.12	PCF.2.12	RAU8970 457.12	PCF.2.12	RAU8970 457.12	PCF.2.12	RAU8970 457.12
tripolar	PCF.2.60	RAU8970 457.60	PCF.2.60	RAU8970 457.60	PCF.2.60	RAU8970 457.60	PCF.2.60	RAU8970 457.60
tetrapolar	PCF.3.12	RAU8970 458.12	PCF.3.12	RAU8970 458.12	PCF.3.12	RAU8970 458.12	PCF.3.12	RAU8970 458.12
tetrapolar	PCF.3.60	RAU8970 458.60	PCF.3.60	RAU8970 458.60	PCF.3.60	RAU8970 458.60	PCF.3.60	RAU8970 458.60
tetrapolar	PCF.4.12	RAU8970 459.12	PCF.4.12	RAU8970 459.12	PCF.4.12	RAU8970 459.12	PCF.4.12	RAU8970 459.12
tetrapolar	PCF.4.60	RAU8970 459.60	PCF.4.60	RAU8970 459.60	PCF.4.60	RAU8970 459.60	PCF.4.60	RAU8970 459.60
5 8,5 x 31,5 mm fuses	FU853		FU853		FU853		FU853	
6 Flat pin terminal	BTVP15	RAU8970 460.01	BTVP15	RAU8970 460.01	BTVP15	RAU8970 460.01	BTVP15	RAU8970 460.01
6 Flat pin terminal	BTVP30	RAU8970 460.02	BTVP30	RAU8970 460.02	BTVP30	RAU8970 460.02	BTVP30	RAU8970 460.02
7 Spade terminal	BTVF15	RAU8970 461.01	BTVF15	RAU8970 461.01	BTVF15	RAU8970 461.01	BTVF15	RAU8970 461.01
7 Spade terminal	BTVF30	RAU8970 461.02	BTVF30	RAU8970 461.02	BTVF30	RAU8970 461.02	BTVF30	RAU8970 461.02
R See section on markers	RC55 - RC510		RC55 - RC510		RC55 - RC510		RC55 - RC510	



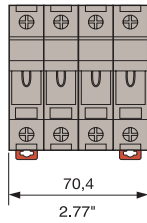
**FB8.3**

Spacing 52,2 mm (2.08")  
3 modules



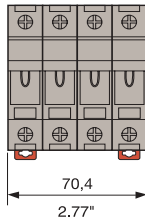
**FB8.3N**

Spacing 70.4 mm (2.77")  
4 modules



**FB8.4**

Spacing 70.4 mm (2.77")  
4 modules



The assembly of more than 3 modular fuse-holders equipped with fuses could downgrade rated current. Consult us.

3 poles

4 poles : 3 phases + neutral

4 poles

Type	P/N	Type	P/N	Type	P/N
FB8.3	8713 568.05	FB8.3N	8716 568.05	FB8.4	8726 568.13

FB8.3N 8716 568.52

IEC			UL			CSA		
0.5-16	20-6 AWG	20-6 AWG	0.5-16	20-6 AWG	20-6 AWG	0.5-16	20-6 AWG	20-6 AWG
0.5-10			0.5-10			0.5-10		
A5			A5			A5		
400	300	300	400	300	300	400	300	300
20	30	30	20	30	30	20	30	30
6 mm <sup>2</sup>	6 AWG	6 AWG	6 mm <sup>2</sup>	6 AWG	6 AWG	6 mm <sup>2</sup>	6 AWG	6 AWG

12 mm / .47"			12 mm / .47"			12 mm / .47"		
1.2 Nm / 10.6 lb.in			1.2 Nm / 10.6 lb.in			1.2 Nm / 10.6 lb.in		

Type	P/N	Type	P/N	Type	P/N
FT1	0399 371.13	FT1	0399 371.13	FT1	0399 371.13
KE8-10	0206 125.24	KE8-10	0206 125.24	KE8-10	0206 125.24
PCP.1.12	RAU8970 452.12	PCP.1.12	RAU8970 452.12	PCP.1.12	RAU8970 452.12
PCP.1.13	RAU8970 452.13	PCP.1.13	RAU8970 452.13	PCP.1.13	RAU8970 452.13
PCP.1.57	RAU8970 452.57	PCP.1.57	RAU8970 452.57	PCP.1.57	RAU8970 452.57
PCP.2.12	RAU8970 453.12	PCP.2.12	RAU8970 453.12	PCP.2.12	RAU8970 453.12
PCP.2.60	RAU8970 453.60	PCP.2.60	RAU8970 453.60	PCP.2.60	RAU8970 453.60
PCP.3.12	RAU8970 454.12	PCP.3.12	RAU8970 454.12	PCP.3.12	RAU8970 454.12
PCP.3.60	RAU8970 454.60	PCP.3.60	RAU8970 454.60	PCP.3.60	RAU8970 454.60
PCP.4.12	RAU8970 455.12	PCP.4.12	RAU8970 455.12	PCP.4.12	RAU8970 455.12
PCP.4.60	RAU8970 455.60	PCP.4.60	RAU8970 455.60	PCP.4.60	RAU8970 455.60
PCF.1.12	RAU8970 456.12	PCF.1.12	RAU8970 456.12	PCF.1.12	RAU8970 456.12
PCF.1.57	RAU8970 456.57	PCF.1.57	RAU8970 456.57	PCF.1.57	RAU8970 456.57
PCF.2.12	RAU8970 457.12	PCF.2.12	RAU8970 457.12	PCF.2.12	RAU8970 457.12
PCF.2.60	RAU8970 457.60	PCF.2.60	RAU8970 457.60	PCF.2.60	RAU8970 457.60
PCF.3.12	RAU8970 458.12	PCF.3.12	RAU8970 458.12	PCF.3.12	RAU8970 458.12
PCF.3.60	RAU8970 458.60	PCF.3.60	RAU8970 458.60	PCF.3.60	RAU8970 458.60
PCF.4.12	RAU8970 459.12	PCF.4.12	RAU8970 459.12	PCF.4.12	RAU8970 459.12
PCF.4.60	RAU8970 459.60	PCF.4.60	RAU8970 459.60	PCF.4.60	RAU8970 459.60
FU853		FU853		FU853	
BTVP15	RAU8970 460.01	BTVP15	RAU8970 460.01	BTVP15	RAU8970 460.01
BTVP30	RAU8970 460.02	BTVP30	RAU8970 460.02	BTVP30	RAU8970 460.02
BTVF15	RAU8970 461.01	BTVF15	RAU8970 461.01	BTVF15	RAU8970 461.01
BTVF30	RAU8970 461.02	BTVF30	RAU8970 461.02	BTVF30	RAU8970 461.02

RC55 - RC510

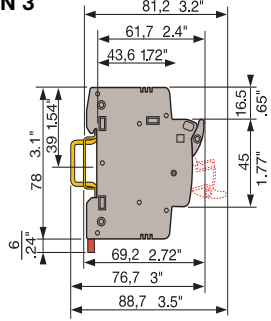
RC55 - RC510

RC55 - RC510

# Dual connection fuse-holder

for 10,3 x 38 mm 13/32 x 1 1/2 in. fuses

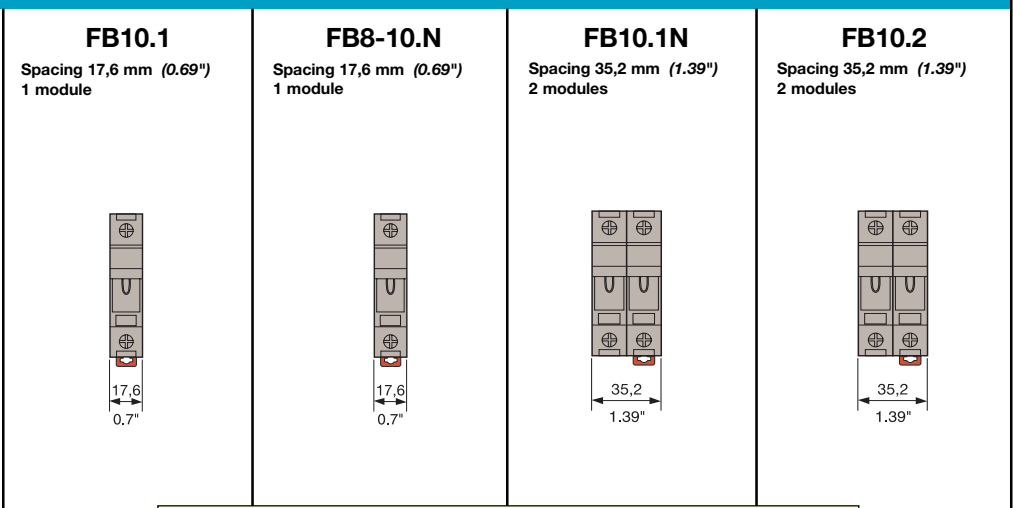
DIN 3



IP20 protection  
Standards : IEC 947-3 / 269-2

Rail		35 x 7.5 x 1 PR30	prepunched	0164 800.03
Rail		35 x 15 x 2.3 PR4		0168 500.12
Rail		35 x 15 x 1.5 PR5	prepunched	0101 598.26

The assembly of more than 3 modular fuse-holders equipped with fuses could downgrade rated current. Consult us.



Reference	Type	P/N	Type	P/N	Type	P/N	Type	P/N
Standard	FB10.1	8711 628.04	FB8-10.N	8711 627.04	FB10.1N	8715 628.04	FB10.2	8712 628.04
With blown-fuse indicator	FB10.1	8711 628.41						
With blown-fuse indicator	FB10.1	8711 628.42			FB10.1N	8715 628.42		

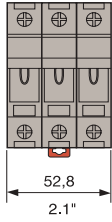
Blown fuse-indicator leakage current :  
< 0,5 mA at 24 V  
< 1 mA at 48 V  
< 2,5 mA at other voltages

Characteristics	IEC			UL pending			CSA pending			IEC			UL pending			CSA pending		
	Wire size	mm <sup>2</sup>	AWG	Wire size	mm <sup>2</sup>	AWG	Wire size	mm <sup>2</sup>	AWG	Wire size	mm <sup>2</sup>	AWG	Wire size	mm <sup>2</sup>	AWG	Wire size	mm <sup>2</sup>	AWG
Rated voltage	V	AC ~ / = DC	690	300	300	690	300	300	690	300	300	690	300	300	690	300	300	690
Rated current	A		32	30	30	32	30	30	32	30	30	32	30	30	32	30	30	32
Rated wire size	mm <sup>2</sup> / AWG		6 mm <sup>2</sup>	6 AWG	6 AWG	6 mm <sup>2</sup>	6 AWG	6 AWG	6 mm <sup>2</sup>	6 AWG	6 AWG	6 mm <sup>2</sup>	6 AWG	6 AWG	6 mm <sup>2</sup>	6 AWG	6 AWG	6 mm <sup>2</sup>
Wire stripping length	mm / inches		12 mm / .47"			12 mm / .47"			12 mm / .47"			12 mm / .47"						
Recommended torque	Nm / lb.in		1.2 Nm / 10.6 lb.in			1.2 Nm / 10.6 lb.in			1.2 Nm / 10.6 lb.in			1.2 Nm / 10.6 lb.in						

Accessories	Type	P/N	Type	P/N	Type	P/N	Type	P/N
1 Plate mounting kit	FT1	0399 371.13	FT1	0399 371.13	FT1	0399 371.13	FT1	0399 371.13
2 Assembly Kit	KE8-10	0206 125.24	KE8-10	0206 125.24	KE8-10	0206 125.24	KE8-10	0206 125.24
3 Flat pin jumper bar	PCP.1.12	RAU8970 452.12	PCP.1.12	RAU8970 452.12	PCP.1.12	RAU8970 452.12	PCP.1.12	RAU8970 452.12
63 A isolated IP20 (see accessories, page 154)	PCP.1.13	RAU8970 452.13	PCP.1.13	RAU8970 452.13	PCP.1.13	RAU8970 452.13	PCP.1.13	RAU8970 452.13
bipolar	PCP.1.57	RAU8970 452.57	PCP.1.57	RAU8970 452.57	PCP.1.57	RAU8970 452.57	PCP.1.57	RAU8970 452.57
bipolar	PCP.2.12	RAU8970 453.12	PCP.2.12	RAU8970 453.12	PCP.2.12	RAU8970 453.12	PCP.2.12	RAU8970 453.12
tripolar	PCP.2.60	RAU8970 453.60	PCP.2.60	RAU8970 453.60	PCP.2.60	RAU8970 453.60	PCP.2.60	RAU8970 453.60
tripolar	PCP.3.12	RAU8970 454.12	PCP.3.12	RAU8970 454.12	PCP.3.12	RAU8970 454.12	PCP.3.12	RAU8970 454.12
tetrapolar	PCP.3.60	RAU8970 454.60	PCP.3.60	RAU8970 454.60	PCP.3.60	RAU8970 454.60	PCP.3.60	RAU8970 454.60
tetrapolar	PCP.4.12	RAU8970 455.12	PCP.4.12	RAU8970 455.12	PCP.4.12	RAU8970 455.12	PCP.4.12	RAU8970 455.12
tetrapolar	PCP.4.60	RAU8970 455.60	PCP.4.60	RAU8970 455.60	PCP.4.60	RAU8970 455.60	PCP.4.60	RAU8970 455.60
4 Spade jumper bar	PCF.1.12	RAU8970 456.12	PCF.1.12	RAU8970 456.12	PCF.1.12	RAU8970 456.12	PCF.1.12	RAU8970 456.12
63 A isolated IP20 (see accessories, page 154)	PCF.1.57	RAU8970 456.57	PCF.1.57	RAU8970 456.57	PCF.1.57	RAU8970 456.57	PCF.1.57	RAU8970 456.57
bipolar	PCF.2.12	RAU8970 457.12	PCF.2.12	RAU8970 457.12	PCF.2.12	RAU8970 457.12	PCF.2.12	RAU8970 457.12
bipolar	PCF.2.60	RAU8970 457.60	PCF.2.60	RAU8970 457.60	PCF.2.60	RAU8970 457.60	PCF.2.60	RAU8970 457.60
tripolar	PCF.3.12	RAU8970 458.12	PCF.3.12	RAU8970 458.12	PCF.3.12	RAU8970 458.12	PCF.3.12	RAU8970 458.12
tripolar	PCF.3.60	RAU8970 458.60	PCF.3.60	RAU8970 458.60	PCF.3.60	RAU8970 458.60	PCF.3.60	RAU8970 458.60
tetrapolar	PCF.4.12	RAU8970 459.12	PCF.4.12	RAU8970 459.12	PCF.4.12	RAU8970 459.12	PCF.4.12	RAU8970 459.12
tetrapolar	PCF.4.60	RAU8970 459.60	PCF.4.60	RAU8970 459.60	PCF.4.60	RAU8970 459.60	PCF.4.60	RAU8970 459.60
5 10,3 x 38 mm fuses (see accessories, page 154)	FU103		FU103		FU103		FU103	
6 Flat pin terminal	BTVP15	RAU8970 460.01	BTVP15	RAU8970 460.01	BTVP15	RAU8970 460.01	BTVP15	RAU8970 460.01
6 Flat pin terminal	BTVP30	RAU8970 460.02	BTVP30	RAU8970 460.02	BTVP30	RAU8970 460.02	BTVP30	RAU8970 460.02
7 Spade terminal	BTVF15	RAU8970 461.01	BTVF15	RAU8970 461.01	BTVF15	RAU8970 461.01	BTVF15	RAU8970 461.01
7 Spade terminal	BTVF30	RAU8970 461.02	BTVF30	RAU8970 461.02	BTVF30	RAU8970 461.02	BTVF30	RAU8970 461.02
R See section on markers	RC55 - RC510		RC55 - RC510		RC55 - RC510		RC55 - RC510	

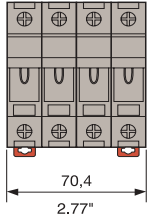
**FB10.3**

Spacing 52,2 mm (2.08")  
3 modules



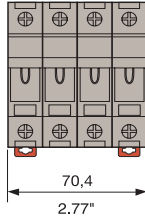
**FB10.3N**

Spacing 70.4 mm (2.77")  
4 modules



**FB10.4**

Spacing 70.4 mm (2.77")  
4 modules



The assembly of more than 3 modular fuse-holders equipped with fuses could downgrade rated current. Consult us.

3 poles		4 poles : 3 phases + neutral		4 poles	
Type	P/N	Type	P/N	Type	P/N
FB10.3	8713 628.04	FB10.3N	8716 628.04	FB10.4	8714 628.04
		FB10.3N	8716 628.42		

IEC			UL pending			CSA pending		
0.5-16	0.5-10	A5	0.5-16	0.5-10	A5	0.5-16	0.5-10	A5
690	300	300	690	300	300	690	300	300
32	30	30	32	30	30	32	30	30
6 mm <sup>2</sup>	6 AWG	6 AWG	6 mm <sup>2</sup>	6 AWG	6 AWG	6 mm <sup>2</sup>	6 AWG	6 AWG
12 mm / .47"			12 mm / .47"			12 mm / .47"		
1.2 Nm / 10.6 lb.in			1.2 Nm / 10.6 lb.in			1.2 Nm / 10.6 lb.in		

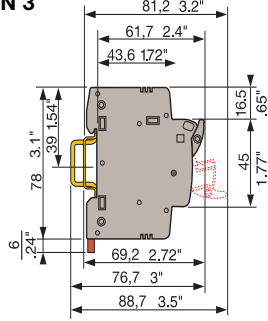
Type	P/N	Type	P/N	Type	P/N
FT1	0399 371.13	FT1	0399 371.13	FT1	0399 371.13
KE8-10	0206 125.24	KE8-10	0206 125.24	KE8-10	0206 125.24
PCP.1.12	RAU8970 452.12	PCP.1.12	RAU8970 452.12	PCP.1.12	RAU8970 452.12
PCP.1.13	RAU8970 452.13	PCP.1.13	RAU8970 452.13	PCP.1.13	RAU8970 452.13
PCP.1.57	RAU8970 452.57	PCP.1.57	RAU8970 452.57	PCP.1.57	RAU8970 452.57
PCP.2.12	RAU8970 453.12	PCP.2.12	RAU8970 453.12	PCP.2.12	RAU8970 453.12
PCP.2.60	RAU8970 453.60	PCP.2.60	RAU8970 453.60	PCP.2.60	RAU8970 453.60
PCP.3.12	RAU8970 454.12	PCP.3.12	RAU8970 454.12	PCP.3.12	RAU8970 454.12
PCP.3.60	RAU8970 454.60	PCP.3.60	RAU8970 454.60	PCP.3.60	RAU8970 454.60
PCP.4.12	RAU8970 455.12	PCP.4.12	RAU8970 455.12	PCP.4.12	RAU8970 455.12
PCP.4.60	RAU8970 455.60	PCP.4.60	RAU8970 455.60	PCP.4.60	RAU8970 455.60
PCF.1.12	RAU8970 456.12	PCF.1.12	RAU8970 456.12	PCF.1.12	RAU8970 456.12
PCF.1.57	RAU8970 456.57	PCF.1.57	RAU8970 456.57	PCF.1.57	RAU8970 456.57
PCF.2.12	RAU8970 457.12	PCF.2.12	RAU8970 457.12	PCF.2.12	RAU8970 457.12
PCF.2.60	RAU8970 457.60	PCF.2.60	RAU8970 457.60	PCF.2.60	RAU8970 457.60
PCF.3.12	RAU8970 458.12	PCF.3.12	RAU8970 458.12	PCF.3.12	RAU8970 458.12
PCF.3.60	RAU8970 458.60	PCF.3.60	RAU8970 458.60	PCF.3.60	RAU8970 458.60
PCF.4.12	RAU8970 459.12	PCF.4.12	RAU8970 459.12	PCF.4.12	RAU8970 459.12
PCF.4.60	RAU8970 459.60	PCF.4.60	RAU8970 459.60	PCF.4.60	RAU8970 459.60
FU103		FU103		FU103	
BTVP15	RAU8970 460.01	BTVP15	RAU8970 460.01	BTVP15	RAU8970 460.01
BTVP30	RAU8970 460.02	BTVP30	RAU8970 460.02	BTVP30	RAU8970 460.02
BTVF15	RAU8970 461.01	BTVF15	RAU8970 461.01	BTVF15	RAU8970 461.01
BTVF30	RAU8970 461.02	BTVF30	RAU8970 461.02	BTVF30	RAU8970 461.02

RC55 - RC510	RC55 - RC510	RC55 - RC510
--------------	--------------	--------------

# Dual connection fuse-holder

for 10,3 x 38 mm 13/32 x 1 1/2 in. fuses

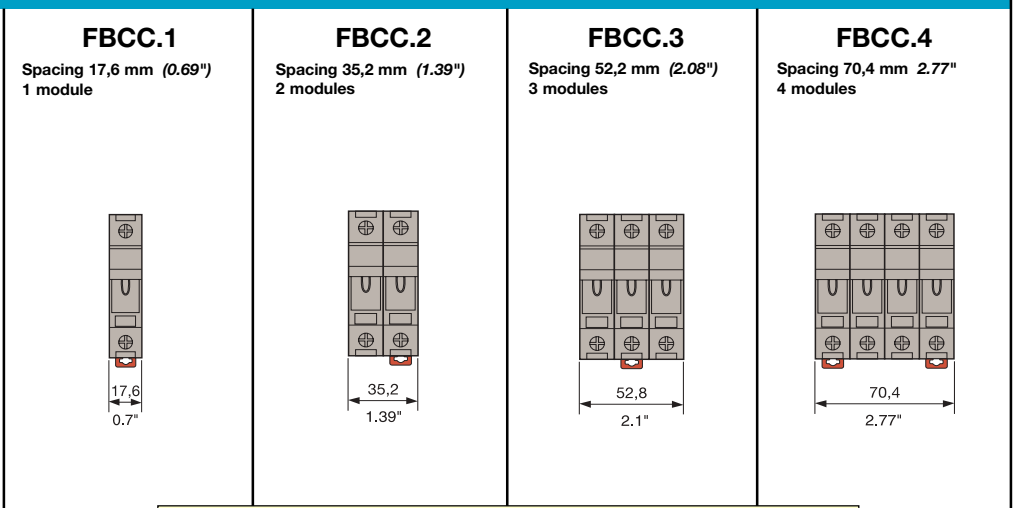
DIN 3



IP20 protection  
Standards : IEC 947-3 / 269-2

Rail		35 x 7.5 x 1 PR30	prepunched	0164 800.03
Rail		35 x 15 x 2.3 PR4		0168 500.12
Rail		35 x 15 x 1.5 PR5	prepunched	0101 598.26

The assembly of more than 3 modular fuse-holders equipped with fuses could downgrade rated current. Consult us.



Reference	Type	P/N	Type	P/N	Type	P/N	Type	P/N				
Standard	FBCC.1		8711 618.06	FBCC.2		8712 618.06	FBCC.3		8713 618.06	FBCC.4		8714 618.06
With blown-fuse indicator	24-48 AC/DC / 48-115 VAC	FBCC.1		8711 618.61								
With blown-fuse indicator	115-690 VAC	FBCC.1		8711 618.62								

Blown fuse-indicator leakage current :  
< 0,5 mA at 24 V  
< 1 mA at 48 V  
< 2,5 mA at other voltages

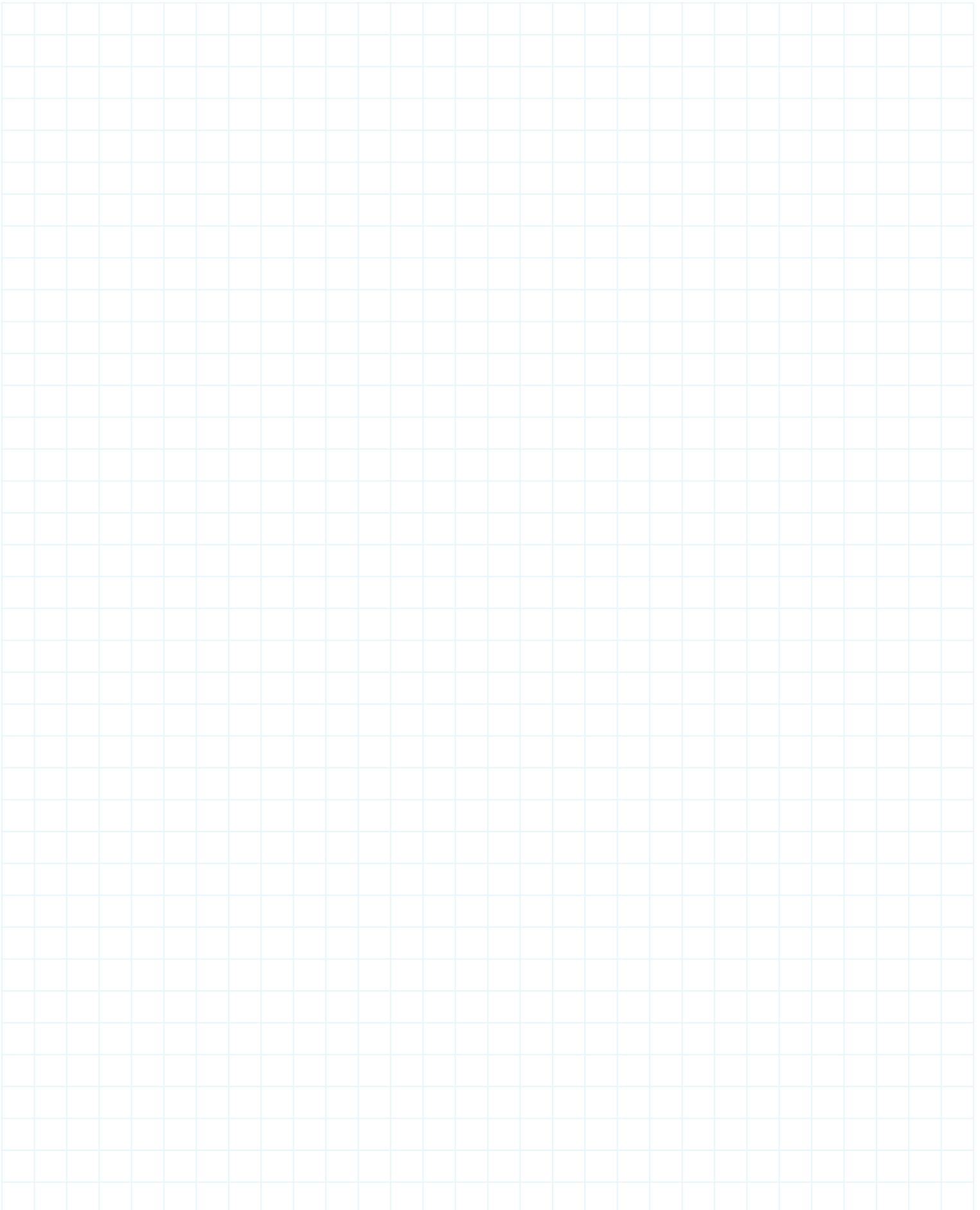
Characteristics	IEC			UL pending			CSA pending			
	Wire size	UL pending	CSA pending	IEC	UL pending	CSA pending	IEC	UL pending	CSA pending	
Wire size	Solid wire	0.5-16	20-6 AWG	20-6 AWG	0.5-16	20-6 AWG	20-6 AWG	0.5-16	20-6 AWG	20-6 AWG
	Stranded wire	0.5-10			0.5-10			0.5-10		
	Gauge	A5			A5			A5		
Rated voltage	V AC ~ / = DC		300	300		300	300		300	300
Rated current	A		30	30		30	30		30	30
Rated wire size	mm <sup>2</sup> / AWG	6 mm <sup>2</sup>	6 AWG	6 AWG	6 mm <sup>2</sup>	6 AWG	6 AWG	6 mm <sup>2</sup>	6 AWG	6 AWG
Wire stripping length	mm / inches	12 mm / .47"			12 mm / .47"			12 mm / .47"		
Recommended torque	Nm / lb.in	1.2 Nm / 10.6 lb.in			1.2 Nm / 10.6 lb.in			1.2 Nm / 10.6 lb.in		

Accessories	Type	P/N	Type	P/N	Type	P/N	Type	P/N
1 Plate mounting kit	FT1	0399 371.13	FT1	0399 371.13	FT1	0399 371.13	FT1	0399 371.13
2 Assembly Kit	KE8-10	0206 125.24	KE8-10	0206 125.24	KE8-10	0206 125.24	KE8-10	0206 125.24
3 Flat pin jumper bar	PCP.1.12	RAU8970 452.12	PCP.1.12	RAU8970 452.12	PCP.1.12	RAU8970 452.12	PCP.1.12	RAU8970 452.12
63 A unipolar	PCP.1.13	RAU8970 452.13	PCP.1.13	RAU8970 452.13	PCP.1.13	RAU8970 452.13	PCP.1.13	RAU8970 452.13
isolated IP20 unipolar	PCP.1.57	RAU8970 452.57	PCP.1.57	RAU8970 452.57	PCP.1.57	RAU8970 452.57	PCP.1.57	RAU8970 452.57
(see accessories, page 154) bipolar	PCP.2.12	RAU8970 453.12	PCP.2.12	RAU8970 453.12	PCP.2.12	RAU8970 453.12	PCP.2.12	RAU8970 453.12
tripolar	PCP.2.60	RAU8970 453.60	PCP.2.60	RAU8970 453.60	PCP.2.60	RAU8970 453.60	PCP.2.60	RAU8970 453.60
tripolar	PCP.3.12	RAU8970 454.12	PCP.3.12	RAU8970 454.12	PCP.3.12	RAU8970 454.12	PCP.3.12	RAU8970 454.12
tetrapolar	PCP.3.60	RAU8970 454.60	PCP.3.60	RAU8970 454.60	PCP.3.60	RAU8970 454.60	PCP.3.60	RAU8970 454.60
tetrapolar	PCP.4.12	RAU8970 455.12	PCP.4.12	RAU8970 455.12	PCP.4.12	RAU8970 455.12	PCP.4.12	RAU8970 455.12
tetrapolar	PCP.4.60	RAU8970 455.60	PCP.4.60	RAU8970 455.60	PCP.4.60	RAU8970 455.60	PCP.4.60	RAU8970 455.60
4 Spade jumper bar	PCF.1.12	RAU8970 456.12	PCF.1.12	RAU8970 456.12	PCF.1.12	RAU8970 456.12	PCF.1.12	RAU8970 456.12
63A unipolar	PCF.1.57	RAU8970 456.57	PCF.1.57	RAU8970 456.57	PCF.1.57	RAU8970 456.57	PCF.1.57	RAU8970 456.57
bipolar	PCF.2.12	RAU8970 457.12	PCF.2.12	RAU8970 457.12	PCF.2.12	RAU8970 457.12	PCF.2.12	RAU8970 457.12
isolated IP20 bipolar	PCF.2.60	RAU8970 457.60	PCF.2.60	RAU8970 457.60	PCF.2.60	RAU8970 457.60	PCF.2.60	RAU8970 457.60
(see accessories page 154) tripolar	PCF.3.12	RAU8970 458.12	PCF.3.12	RAU8970 458.12	PCF.3.12	RAU8970 458.12	PCF.3.12	RAU8970 458.12
tripolar	PCF.3.60	RAU8970 458.60	PCF.3.60	RAU8970 458.60	PCF.3.60	RAU8970 458.60	PCF.3.60	RAU8970 458.60
tetrapolar	PCF.4.12	RAU8970 459.12	PCF.4.12	RAU8970 459.12	PCF.4.12	RAU8970 459.12	PCF.4.12	RAU8970 459.12
tetrapolar	PCF.4.60	RAU8970 459.60	PCF.4.60	RAU8970 459.60	PCF.4.60	RAU8970 459.60	PCF.4.60	RAU8970 459.60
6 Flat pin terminal	BTVP15	RAU8970 460.01	BTVP15	RAU8970 460.01	BTVP15	RAU8970 460.01	BTVP15	RAU8970 460.01
(25 mm <sup>2</sup> ) 30 mm	BTVP30	RAU8970 460.02	BTVP30	RAU8970 460.02	BTVP30	RAU8970 460.02	BTVP30	RAU8970 460.02
7 Spade terminal	BTVP15	RAU8970 460.01	BTVP15	RAU8970 460.01	BTVP15	RAU8970 460.01	BTVP15	RAU8970 460.01
(25 mm <sup>2</sup> ) 30 mm	BTVP30	RAU8970 460.02	BTVP30	RAU8970 460.02	BTVP30	RAU8970 460.02	BTVP30	RAU8970 460.02
R See section on markers	RC55 - RC510		RC55 - RC510		RC55 - RC510		RC55 - RC510	

# Terminal blocks for railway rolling stock

*Request our  
Railway Rolling Stock  
catalog.*





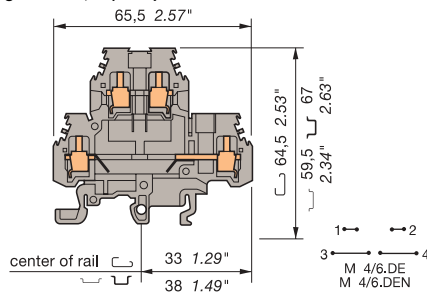
**Component holder  
terminal blocks  
Empty blocks  
Blocks with LED indicator  
Double deck blocks  
Compression clamp**



DIN 1 - 3

**M 4/6.DE...**

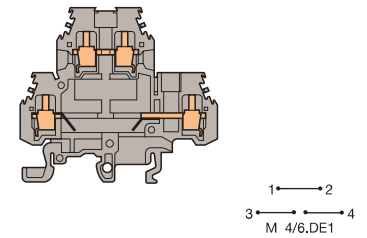
Spacing 6 mm +0,05 (.238")



Empty blocks for components (th. 5 mm max.).  
Internal, soldered connections, external, by compression clamp.

**M 4/6.DE1**

Spacing 6 mm +0,05 (.238")



Empty blocks for components (th. 5 mm max.).  
Internal, soldered connections, external, by compression clamp.

End stop	th. 9,1 mm	<b>BAMH</b>	<b>0114 836.00</b>
<i>Other end stops : See Accessories section</i>			
Rail	35 x 7,5 x 1	<b>PR30</b> prepunched	<b>0173 220.05</b>
Rail	35 x 15 x 2,3	<b>PR4</b>	<b>0168 500.12</b>
Rail	35 x 15 x 1,5	<b>PR5</b> prepunched	<b>0101 598.26</b>
Rail	32 x 15	<b>PR122</b>	<b>0163 050.04</b>
<i>Other rails : See Accessories section</i>			

**Notes**

The use of some accessories may decrease the block's voltage rating. For more information, consult us.

Color	Type	Part numbers
Upper and lower circuit opened		
Grey	<b>M 4/6.DE</b>	<b>0115 185.05</b>
Blue	<b>M 4/6.DEN</b>	<b>0125 185.07</b>

Color	Type	Part numbers
Lower circuit opened		
Grey	<b>M 4/6.DE1</b>	<b>0115 177.14</b>

**Characteristics**

Wire size	NFC DIN			UL	CSA
	Compression	Solid wire	0,5-4 mm <sup>2</sup>	22-12 AWG	22-12 AWG
clamp	Solid wire	0,5-4 mm <sup>2</sup>	22-12 AWG	22-12 AWG	22-12 AWG
	Stranded wire	0,5-4 mm <sup>2</sup>	22-12 AWG	22-12 AWG	22-12 AWG

**Characteristics**

Wire size	NFC DIN			UL	CSA
	Compression	Solid wire	0,5-4 mm <sup>2</sup>	22-12 AWG	22-12 AWG
clamp	Solid wire	0,5-4 mm <sup>2</sup>	22-12 AWG	22-12 AWG	22-12 AWG
	Stranded wire	0,5-4 mm <sup>2</sup>	22-12 AWG	22-12 AWG	22-12 AWG

Voltage			
Rated	500 V Gr.C	600 V	300 V
Pulse			
Pollution degree			
Current			
Rated	26 A	20 A	20 A
Wire size			
Rated / Gauge	4 mm <sup>2</sup> / A4	12 AWG	12 AWG
Wire stripping length	Recomm. screwdriver	Recomm. torque	Protection
8,5 mm	4 mm	0.5-0.6 Nm	IP20
.33"	.157"	4.4-5.3 lb.in	NEMA 1

Voltage			
Rated	500 V Gr.C	600 V	300 V
Pulse			
Pollution degree			
Current			
Rated	26 A	20 A	20 A
Wire size			
Rated / Gauge	4 mm <sup>2</sup> / A4	12 AWG	12 AWG
Wire stripping length	Recomm. screwdriver	Recomm. torque	Protection
8,5 mm	4 mm	0.5-0.6 Nm	IP20
.33"	.157"	4.4-5.3 lb.in	NEMA 1

**Accessories**

Type	Part numbers
1 End section	grey
2 Separator end section	grey
3 Test socket	
4 Test device	grey
5 Test plug	
6 Assembled jumper bar	32 A
(without IP 20 protection)	32 A
Assembled jumper bar	32 A
(with IP 20 protection)	32 A
7 Connector bar	35 A
8 Jumper bar not assembled	32 A
Screw + post + washer	
9 Comb-type jumper bar	35 A
10 IDC jumper	24 A

Type	Part numbers
FEM6D	th. 1,0 mm 0118 499.23
FEM6D	th. 1,0 mm 0128 499.25
SCF6D	th. 1,0 mm 0118 495.17
AL2	DIA. 2,0 mm 0163 070.00
AL3	DIA. 3,0 mm 0163 261.00
DCG	0163 218.05
FC2 (2)	DIA. 2,0 mm 0007 865.26
BJM6D (1)(3)	2 poles 0173 515.11
BJM6D (1)(3)	3 poles 0173 516.12
BJM6D (1)(3)	4 poles 0173 517.13
BJM6D (1)(3)	5 poles 0173 519.25
BJM6D (1)(3)	10 poles 0173 520.22
BJMI6D (1)(3)	2 poles 0179 668.20
BJMI6D (1)(3)	3 poles 0179 669.21
BJMI6D (1)(3)	4 poles 0179 670.26
BJMI6D (1)(3)	5 poles 0179 671.13
BJMI6D (1)(3)	10 poles 0179 672.14
EL6 (1)(3)	0173 627.21
BJS61 (1)(3)	10 poles 0168 485.27
EV6D	0168 400.16
PC61	th. 0,5 mm 10 poles 0163 311.22
AD2,5	0114 205.20

Type	Part numbers
FEM6D	th. 1,0 mm 0118 499.23
SCF6D	th. 1,0 mm 0118 495.17
AL2	DIA. 2,0 mm 0163 070.00
AL3	DIA. 3,0 mm 0163 261.00
DCG	0163 218.05
FC2 (2)	DIA. 2,0 mm 0007 865.26
BJM6D (1)	2 poles 0173 515.11
BJM6D (1)	3 poles 0173 516.12
BJM6D (1)	4 poles 0173 517.13
BJM6D (1)	5 poles 0173 519.25
BJM6D (1)	10 poles 0173 520.22
BJMI6D (1)	2 poles 0179 668.20
BJMI6D (1)	3 poles 0179 669.21
BJMI6D (1)	4 poles 0179 670.26
BJMI6D (1)	5 poles 0179 671.13
BJMI6D (1)	10 poles 0179 672.14
EL6 (1)	0173 627.21
BJS61 (1)	10 poles 0168 485.27
EV6D	0168 400.16
PC61	th. 0,5 mm 10 poles 0163 311.22
AD2,5	0114 205.20

R See section on markers marking method

(1) Sides of block (2) Top of block  
 Note : (1) Use of these accessories requires the user to cut out the partition.  
 (2) For block equipped with AL2 or DCG.  
 (3) These accessories can be used on the lower connection only.

**Component holder  
terminal block  
With neon lamp indicator  
Double deck**

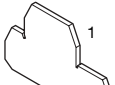
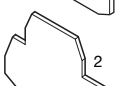



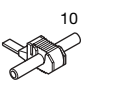



**Compression clamp**  
DIN 1 - 3

End stop	th. 9,1 mm	<b>BAMH</b>	<b>0114 836.00</b>
Other end stops : See Accessories section			
Rail	35 x 7,5 x 1	<b>PR30</b> prepunched	<b>0173 220.05</b>
Rail	35 x 15 x 2,3	<b>PR4</b>	<b>0168 500.12</b>
Rail	35 x 15 x 1,5	<b>PR5</b> prepunched	<b>0101 598.26</b>
Rail	32 x 15	<b>PR122</b>	<b>0163 050.04</b>
Other rails : See Accessories section			

**Notes**

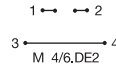
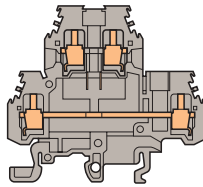
The use of some accessories may decrease the block's voltage rating. For more information, consult us.

**Accessories**

	<b>1</b> End section	grey	
	<b>2</b> Separator end section	grey	
	<b>3</b> Test socket		
	<b>4</b> Test device	grey	
	<b>5</b> Test plug		
	<b>6</b> Assembled jumper bar	32 A	
	(without IP 20 protection)	32 A	
	(with IP 20 protection)	32 A	
	<b>7</b> Connector plate	35 A	
	<b>8</b> Jumper bar not assembled	32 A	
	Screw + post + washer		
	<b>9</b> Comb-type jumper bar	35 A	
	<b>10</b> IDC jumper		
	<b>R</b> See section on markers marking method		

**M 4/6.DE2**

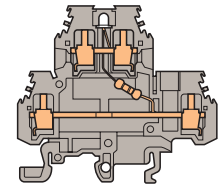
Spacing 6 mm + 0,05 (.238")



Empty blocks for components (th. 5 mm maxi).  
Internal, soldered connections, external, by compression clamp.





**M 4/6.DL...**

Spacing 6 mm + 0,05 (.238")



1 connection with 4 inputs on 2 decks. Equipped with a non-protected LED 24 V.

			
---	---	---	---

Color	Type	Part numbers	Color	Type	Part numbers
<b>Upper circuit opened</b>					
Grey	 M 4/6.DE2	<b>0115 326.11</b>	+ on the upper circuit		
			Grey body/red LED  M 4/6.DL		<b>0115 178.25</b>
			Grey body/green LED  M 4/6.DLV		<b>0115 522.06</b>
<b>+ on the lower circuit</b>					
			Grey body/red LED  M 4/6.DL1		<b>0115 179.26</b>

**Characteristics**

Wire size		NFC DIN	UL	CSA	Wire size		NFC DIN	UL	CSA
Compression clamp	Solid wire	0,5-4 mm <sup>2</sup>		22-12 AWG	Compression clamp	Solid wire	0,2-4 mm <sup>2</sup>	22-12 AWG	22-12 AWG
	Stranded wire	0,5-4 mm <sup>2</sup>		22-12 AWG		Stranded wire	0,22-4 mm <sup>2</sup>	22-12 AWG	22-12 AWG
Compression clamp	Solid wire				Compression clamp	Solid wire			
	Stranded wire					Stranded wire			

**Voltage**

Rated	500 V Gr.C		300 V	Rated	500 V Gr.C	600 V	300 V
Pulse				Pulse			
Pollution degree				Pollution degree			

**Current**

Rated	26 A		20 A	Rated	20 A*	20 A*	20 A*
-------	------	--	------	-------	-------	-------	-------

**Wire size**

Rated / Gauge	4 mm <sup>2</sup> / A4		12 AWG	Rated / Gauge	4 mm <sup>2</sup> / A4	12 AWG	12 AWG
Wire stripping length	Recomm. screwdriver	Recomm. torque	Protection	Wire stripping length	Recomm. screwdriver	Recomm. torque	Protection
8,5 mm	4 mm	0.5-0.6 Nm	IP20	8,5 mm	4 mm	0.5-0.6 Nm	IP20
.33"	.16"	4.4-5.3 lb.in	NEMA 1	.33"	.16"	4.4-5.3 lb.in	NEMA 1

Type	Part numbers	Type	Part numbers
<b>FEM6D</b>	th. 1,0 mm <b>0118 499.23</b>	<b>FEM6D</b>	th. 1,0 mm <b>0118 499.23</b>
<b>SCF6D</b>	th. 1,0 mm <b>0118 495.17</b>	<b>SCF6D</b>	th. 1,0 mm <b>0118 495.17</b>
<b>AL2</b>	DIA. 2,0 mm <b>0163 070.00</b>	<b>AL2</b>	DIA. 2,0 mm <b>0163 070.00</b>
<b>AL3</b>	DIA. 3,0 mm <b>0163 261.00</b>	<b>AL3</b>	DIA. 3,0 mm <b>0163 261.00</b>
<b>DCG</b>	<b>0163 218.05</b>	<b>DCG</b>	<b>0163 218.05</b>
<b>FC2</b>	DIA. 2,0 mm <b>0007 865.26</b>	<b>FC2</b>	DIA. 2,0 mm <b>0007 865.26</b>
<b>BJM6D</b> (1)(3)	2 poles <b>0173 515.11</b>	<b>BJM6D</b> (1)(3)	2 poles <b>0173 515.11</b>
<b>BJM6D</b> (1)(3)	3 poles <b>0173 516.12</b>	<b>BJM6D</b> (1)(3)	3 poles <b>0173 516.12</b>
<b>BJM6D</b> (1)(3)	4 poles <b>0173 517.13</b>	<b>BJM6D</b> (1)(3)	4 poles <b>0173 517.13</b>
<b>BJM6D</b> (1)(3)	5 poles <b>0173 519.25</b>	<b>BJM6D</b> (1)(3)	5 poles <b>0173 519.25</b>
<b>BJM6D</b> (1)(3)	10 poles <b>0173 520.22</b>	<b>BJM6D</b> (1)(3)	10 poles <b>0173 520.22</b>
<b>BJMI6D</b> (1)(3)	2 poles <b>0179 668.20</b>	<b>BJMI6D</b> (1)(3)	2 poles <b>0179 668.20</b>
<b>BJMI6D</b> (1)(3)	3 poles <b>0179 669.21</b>	<b>BJMI6D</b> (1)(3)	3 poles <b>0179 669.21</b>
<b>BJMI6D</b> (1)(3)	4 poles <b>0179 670.26</b>	<b>BJMI6D</b> (1)(3)	4 poles <b>0179 670.26</b>
<b>BJMI6D</b> (1)(3)	5 poles <b>0179 671.13</b>	<b>BJMI6D</b> (1)(3)	5 poles <b>0179 671.13</b>
<b>BJMI6D</b> (1)(3)	10 poles <b>0179 672.14</b>	<b>BJMI6D</b> (1)(3)	10 poles <b>0179 672.14</b>
<b>EL6</b> (1)(3)	<b>0173 627.21</b>	<b>EL6</b> (1)(3)	<b>0173 627.21</b>
<b>BJS61</b> (1)(3)	10 poles <b>0168 485.27</b>	<b>BJS61</b> (1)(3)	10 poles <b>0168 485.27</b>
<b>EV6D</b>	<b>0168 400.16</b>	<b>EV6D</b>	<b>0168 400.16</b>
<b>PC61</b>	th. 0,5 mm 10 poles <b>0163 311.22</b>	<b>PC61</b>	th. 0,5 mm 10 poles <b>0163 311.22</b>
<b>AD2,5</b>	<b>0114 205.20</b>	<b>AD2,5</b>	<b>0114 205.20</b>

\*Current rating is as shown when using top or bottom level of block. Current is limited to one ampere (1A) if connection is from top to the bottom of the block

(1) Sides of block (2) Top of block  
Note : (1) Use of these accessories requires the user to cut out the partition.  
(2) For block equipped with AL2 or DCG.  
(3) These accessories can be mounted on the lower deck only.



# Component holder terminal block

## With neon lamp indicator

### Double deck

Compression clamp



End stop	th. 9,1 mm	<b>BAMH</b>	<b>0114 836.00</b>
<i>Other end stops : See Accessories section</i>			
Rail	35 x 7,5 x 1	<b>PR30</b> prepunched	<b>0173 220.05</b>
Rail	35 x 15 x 2,3	<b>PR4</b>	<b>0168 500.12</b>
Rail	35 x 15 x 1,5	<b>PR5</b> prepunched	<b>0101 598.26</b>
Rail	32 x 15	<b>PR12Z</b>	<b>0163 050.04</b>
<i>Other rails : See Accessories section</i>			

### Notes

The use of some accessories may decrease the block's voltage rating. For more information, consult us.

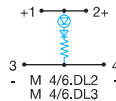
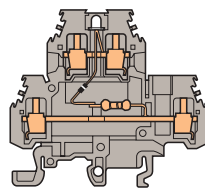
### Accessories

	1 End section	grey	<b>FEM6D</b>	th. 1,0 mm	<b>0118 499.23</b>
	2 Separator end section	grey	<b>SCF6D</b>	th. 1,0 mm	<b>0118 495.17</b>
	3 Test socket		<b>AL2</b>	DIA. 2,0 mm	<b>0163 070.00</b>
	4 Test device	grey	<b>AL3</b>	DIA. 3,0 mm	<b>0163 261.00</b>
	5 Test plug		<b>DCG</b>		<b>0163 218.05</b>
	6 Assembled jumper bar	32 A	<b>FC2</b>	DIA. 2,0 mm	<b>0007 865.26</b>
	7 Connector plate	32 A	<b>BJM6D</b>	(1)(3) 2 poles	<b>0173 515.11</b>
	8 Jumper bar not assembled	32 A	<b>BJM6D</b>	(1)(3) 3 poles	<b>0173 516.12</b>
	9 Comb-type jumper bar	32 A	<b>BJM6D</b>	(1)(3) 4 poles	<b>0173 517.13</b>
	10 IDC jumper	32 A	<b>BJM6D</b>	(1)(3) 5 poles	<b>0173 519.25</b>
		32 A	<b>BJM6D</b>	(1)(3) 10 poles	<b>0173 520.22</b>
		32 A	<b>BJMI6D</b>	(1)(3) 2 poles	<b>0179 668.20</b>
		32 A	<b>BJMI6D</b>	(1)(3) 3 poles	<b>0179 669.21</b>
		32 A	<b>BJMI6D</b>	(1)(3) 4 poles	<b>0179 670.26</b>
		32 A	<b>BJMI6D</b>	(1)(3) 5 poles	<b>0179 671.13</b>
		32 A	<b>BJMI6D</b>	(1)(3) 10 poles	<b>0179 672.14</b>
		35 A	<b>EL6</b>	(1)(3)	<b>0173 627.21</b>
		32 A	<b>BJS61</b>	(1)(3) 10 poles	<b>0168 485.27</b>
		32 A	<b>EV6D</b>		<b>0168 400.16</b>
		35 A	<b>PC61</b>	th. 0,5 mm 10 poles	<b>0163 311.22</b>
			<b>AD2,5</b>		<b>0114 205.20</b>

**R** See section on markers marking method

## M 4/6.DL2...

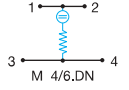
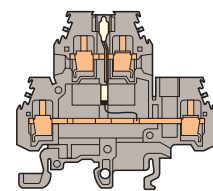
Spacing 6 mm + 0,05 (.238")



1 connection with 4 inputs on 2 decks. Equipped with a protected LED.

## M 4/6.DN...

Spacing 6 mm +0,05 (.238")



1 connection with 4 inputs on 2 decks. Equipped with a neon lamp.

Color	Type	Part numbers
Grey 12 V = 24 V ~	<b>M 4/6.DL2</b>	<b>0115 180.14</b>
Grey 24 V = 48 V ~	<b>M 4/6.DL3</b>	<b>0115 181.01</b>
Grey 24 V = 48 V ~	<b>M 4/6.DL4</b>	<b>0115 392.14</b>

Color	Type	Part numbers
110 V~ 127 V=		
Grey	<b>M 4/6.DN</b>	<b>0115 182.02</b>
230 V~		
Grey	<b>M 4/6.DN1</b>	<b>0115 183.03</b>

### Characteristics

Wire size	NFC DIN			UL	CSA
	Compression clamp	Solid wire	Stranded wire		
		0,2-4 mm <sup>2</sup>	0,22-4 mm <sup>2</sup>	22-12 AWG	22-12 AWG

### Characteristics

Wire size	NFC DIN			UL	CSA
	Compression clamp	Solid wire	Stranded wire		
		0,2-4 mm <sup>2</sup>	0,22-4 mm <sup>2</sup>	22-12 AWG	18-12 AWG

Voltage			
Rated	500 V Gr.C	600 V	300 V
Pulse			
Pollution degree			
Current			
Rated	20 A*	20 A*	20 A*
Wire size			
Rated / Gauge	4 mm <sup>2</sup> / A4	12 AWG	12 AWG
Wire stripping length	Recomm. screwdriver	Recomm. torque	Protection
8,5 mm	4 mm	0,5-0,6 Nm	IP20
.33"	.16"	4.4-5.3 lb.in	NEMA 1

Voltage			
Rated	500 V Gr.C	600 V	150 V
Pulse			
Pollution degree			
Current			
Rated	20 A*	20 A*	25 A*
Wire size			
Rated / Gauge	4 mm <sup>2</sup> / A4	12 AWG	12 AWG
Wire stripping length	Recomm. screwdriver	Recomm. torque	Protection
8,5 mm	4 mm	0,5-0,6 Nm	IP20
.33"	.157"	4.4-5.3 lb.in	NEMA 1

Type	Part numbers
<b>FEM6D</b>	th. 1,0 mm <b>0118 499.23</b>
<b>SCF6D</b>	th. 1,0 mm <b>0118 495.17</b>
<b>AL2</b>	DIA. 2,0 mm <b>0163 070.00</b>
<b>AL3</b>	DIA. 3,0 mm <b>0163 261.00</b>
<b>DCG</b>	<b>0163 218.05</b>
<b>FC2</b>	DIA. 2,0 mm <b>0007 865.26</b>
<b>BJM6D</b>	(1)(3) 2 poles <b>0173 515.11</b>
<b>BJM6D</b>	(1)(3) 3 poles <b>0173 516.12</b>
<b>BJM6D</b>	(1)(3) 4 poles <b>0173 517.13</b>
<b>BJM6D</b>	(1)(3) 5 poles <b>0173 519.25</b>
<b>BJM6D</b>	(1)(3) 10 poles <b>0173 520.22</b>
<b>BJMI6D</b>	(1)(3) 2 poles <b>0179 668.20</b>
<b>BJMI6D</b>	(1)(3) 3 poles <b>0179 669.21</b>
<b>BJMI6D</b>	(1)(3) 4 poles <b>0179 670.26</b>
<b>BJMI6D</b>	(1)(3) 5 poles <b>0179 671.13</b>
<b>BJMI6D</b>	(1)(3) 10 poles <b>0179 672.14</b>
<b>EL6</b>	(1)(3) <b>0173 627.21</b>
<b>BJS61</b>	(1)(3) 10 poles <b>0168 485.27</b>
<b>EV6D</b>	<b>0168 400.16</b>
<b>PC61</b>	th. 0,5 mm 10 poles <b>0163 311.22</b>
<b>AD2,5</b>	<b>0114 205.20</b>

Type	Part numbers
<b>FEM6D</b>	th. 1,0 mm <b>0118 499.23</b>
<b>SCF6D</b>	th. 1,0 mm <b>0118 495.17</b>
<b>AL2</b>	DIA. 2,0 mm <b>0163 070.00</b>
<b>AL3</b>	DIA. 3,0 mm <b>0163 261.00</b>
<b>DCG</b>	<b>0163 218.05</b>
<b>FC2</b>	DIA. 2,0 mm <b>0007 865.26</b>
<b>BJM6D</b>	(1)(3) 2 poles <b>0173 515.11</b>
<b>BJM6D</b>	(1)(3) 3 poles <b>0173 516.12</b>
<b>BJM6D</b>	(1)(3) 4 poles <b>0173 517.13</b>
<b>BJM6D</b>	(1)(3) 5 poles <b>0173 519.25</b>
<b>BJM6D</b>	(1)(3) 10 poles <b>0173 520.22</b>
<b>BJMI6D</b>	(1)(3) 2 poles <b>0179 668.20</b>
<b>BJMI6D</b>	(1)(3) 3 poles <b>0179 669.21</b>
<b>BJMI6D</b>	(1)(3) 4 poles <b>0179 670.26</b>
<b>BJMI6D</b>	(1)(3) 5 poles <b>0179 671.13</b>
<b>BJMI6D</b>	(1)(3) 10 poles <b>0179 672.14</b>
<b>EL6</b>	(1)(3) <b>0173 627.21</b>
<b>BJS61</b>	(1)(3) 10 poles <b>0168 485.27</b>
<b>EV6D</b>	<b>0168 400.16</b>
<b>PC61</b>	th. 0,5 mm 10 poles <b>0163 311.22</b>
<b>AD2,5</b>	<b>0114 205.20</b>

\*Current rating is as shown when using top or bottom level of block. Current is limited to one ampere (1A) if connection is from top to the bottom of the block

\*Current rating is as shown when using top or bottom level of block. Current is limited to one ampere (1A) if connection is from top to the bottom of the block

(1) Sides of block (2) Top of block

(1) Sides of block (2) Top of block

Note : (1) Use of these accessories requires the user to cut out the partition.  
 (2) For block equipped with AL2 or DCG.  
 (3) These accessories can be mounted on the lower deck only.

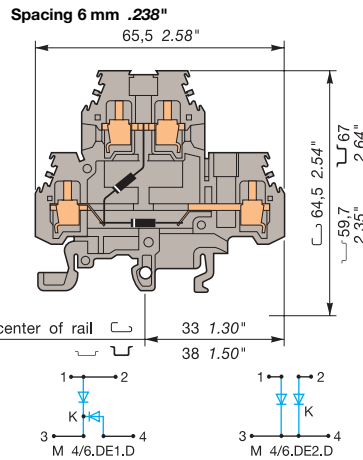
**Electronic component holder terminal blocks**  
**With diode**  
**Double deck**  
**Compression clamp**



DIN 1 - 3

**M 4/6.DE1.D**

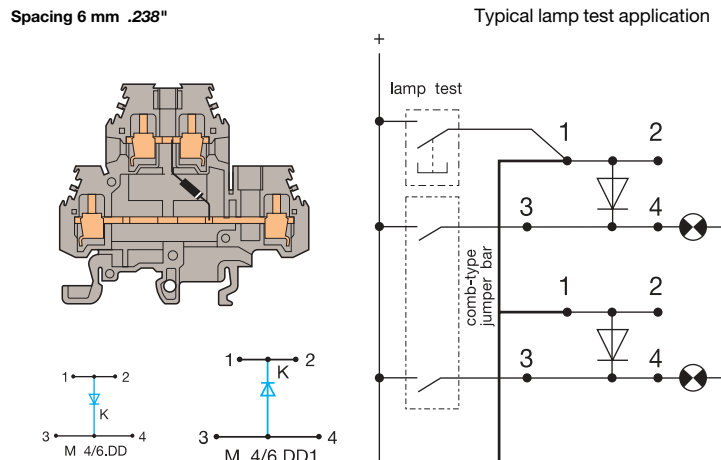
**M 4/6.DE2.D**



Block equipped with two 1N 4007 diodes negative common (1000 V peak - 250 V service - 1 A).

**M 4/6.DD**

**M 4/6.DD1**



Block equipped with one 1N 4007 diode with two connections per anode and cathode (1000 V peak - 250 V service - 1 A)

<b>BAMH</b>	th. 9,1 mm	<b>0114 836.00</b>
Other end stops : See Accessories section		
<b>PR30</b>	35 x 7,5 x 1	<b>0173 220.05</b>
<b>PR4</b>	35 x 15 x 2,3	<b>0168 500.12</b>
<b>PR5</b>	35 x 15 x 1,5	<b>0101 598.26</b>
<b>PR1Z2</b>	32 x 15 x 1,5	<b>0163 050.04</b>
Other rails : See Accessories section		
Other accessories : See Accessories section		

Type	Part numbers
Grey body 1 negative output	<b>M 4/6.DE1.D</b> <b>0115 371.26</b>
Grey body 2 negative outputs	<b>M 4/6.DE2.D</b> <b>0115 327.12</b>

Type	Part numbers
Grey body • Cathode (K) of the blocking diode connected to the lower circuit	<b>M 4/6.DD</b> <b>0115 168.23</b>
• Cathode (K) of the blocking diode connected to the upper circuit	<b>M 4/6.DD1</b> <b>0115 184.04</b>

**Characteristics**

<b>Wire size</b>	Compression clamp	Solid wire	0,5-4 mm <sup>2</sup>	22-12 AWG
		Stranded wire	0,5-4 mm <sup>2</sup>	

NFC	DIN	UL	CSA

NFC	DIN	UL	CSA
0,2-4 mm <sup>2</sup>		22-12 AWG	18-12 AWG
0,22-4 mm <sup>2</sup>			

**Rated voltage**

500 V Gr.C	300 V
------------	-------

500 V Gr.C	600 V	150 V
------------	-------	-------

**Rated current**

20 A*	20 A*
-------	-------

20 A*	25 A*	25 A*
-------	-------	-------

**Rated wire size**

4 mm <sup>2</sup>	12 AWG
-------------------	--------

4 mm <sup>2</sup>	12 AWG	12 AWG
-------------------	--------	--------

**Other characteristics**

Wirestripping length	Recomm. screwdriver	Recomm. torque	Protection
8,5 mm .33"	4 mm .157"	0,5-0,6 Nm 4,4-5,3 lb.in	IP20 NEMA 1

Wire stripping length	Recomm. screwdriver	Recomm. torque	Protection
8,5 mm .33"	4 mm .157"	0,5 - 0,6 Nm 4,4 - 5,3 lb.in	IP 20 NEMA 1

**Accessories**

	Type	Part numbers
<b>1</b> End section	grey	<b>FEM6D</b> th. 1 mm <b>0118 499.23</b>
<b>2</b> Separator end section	grey	<b>SCF6D</b> th. 1 mm <b>0118 495.17</b>
<b>3</b> Test socket	<b>AL2</b> (1)	DIA.2 mm <b>0163 070.00</b>
	<b>AL3</b> (1)	DIA.3 mm <b>0163 261.00</b>
<b>4</b> Test device	grey	<b>DCG</b> <b>0163 218.05</b>
		<b>FC2</b> (3) DIA.2 mm <b>0007 865.26</b>
<b>5</b> Test plug	32 A	<b>BJM6D</b> (1) (2) 2 poles <b>0173 515.11</b>
	32 A	<b>BJM6D</b> (1) (2) 3 poles <b>0173 516.12</b>
	32 A	<b>BJM6D</b> (1) (2) 4 poles <b>0173 517.13</b>
	32 A	<b>BJM6D</b> (1) (2) 5 poles <b>0173 519.25</b>
	32 A	<b>BJM6D</b> (1) (2) 10 poles <b>0173 520.22</b>
	32 A	<b>BJMI6D</b> (1) (2) 2 poles <b>0179 668.20</b>
<b>6</b> Assembled jumper bar (without IP 20 protection)	32 A	<b>BJMI6D</b> (1) (2) 3 poles <b>0179 669.21</b>
	32 A	<b>BJMI6D</b> (1) (2) 4 poles <b>0179 670.26</b>
	32 A	<b>BJMI6D</b> (1) (2) 5 poles <b>0179 671.13</b>
	32 A	<b>BJMI6D</b> (1) (2) 10 poles <b>0179 672.14</b>
	32 A	<b>EL6</b> (1) (2) <b>0173 627.21</b>
<b>7</b> Assembled jumper bar (with IP 20 protection)	32 A	<b>BJS61</b> (1) (2) 10 poles <b>0168 485.27</b>
	32 A	<b>EV6D</b> <b>0168 400.16</b>
<b>8</b> Connector plate	35 A	<b>BJP61</b> (1) <b>0167 225.20</b>
<b>9</b> Jumper bar not assembled Post + screw + washer	32 A	<b>PC61</b> 10 poles <b>0163 311.22</b>
	32 A	<b>AD2,5</b> <b>0114 205.20</b>

Type	Part numbers
<b>FEM6D</b>	th. 1 mm <b>0118 499.23</b>
<b>SCF6D</b>	th. 1 mm <b>0118 495.17</b>
<b>AL2</b> (1)	DIA.2 mm <b>0163 070.00</b>
<b>AL3</b> (1)	DIA.3 mm <b>0163 261.00</b>
<b>DCG</b>	<b>0163 218.05</b>
<b>FC2</b> (3)	DIA.2 mm <b>0007 865.26</b>
<b>BJM6D</b> (1) (2)	2 poles <b>0173 515.11</b>
<b>BJM6D</b> (1) (2)	3 poles <b>0173 516.12</b>
<b>BJM6D</b> (1) (2)	4 poles <b>0173 517.13</b>
<b>BJM6D</b> (1) (2)	5 poles <b>0173 519.25</b>
<b>BJM6D</b> (1) (2)	10 poles <b>0173 520.22</b>
<b>BJMI6D</b> (1) (2)	2 poles <b>0179 668.20</b>
<b>BJMI6D</b> (1) (2)	3 poles <b>0179 669.21</b>
<b>BJMI6D</b> (1) (2)	4 poles <b>0179 670.26</b>
<b>BJMI6D</b> (1) (2)	5 poles <b>0179 671.13</b>
<b>BJMI6D</b> (1) (2)	10 poles <b>0179 672.14</b>
<b>EL6</b> (1) (2)	<b>0173 627.21</b>
<b>BJS61</b> (1) (2)	10 poles <b>0168 485.27</b>
<b>EV6D</b>	<b>0168 400.16</b>
<b>BJP61</b> (1)	<b>0167 225.20</b>
<b>PC61</b>	10 poles <b>0163 311.22</b>
<b>AD2,5</b>	<b>0114 205.20</b>

\* Current rating is as shown when using top or bottom level of block.  
 Current is limited to one amp (1 A) if connection is from top to bottom of the block.

**R** See section on markers marking method

(1) (2) (1) (2)  
 Note : (1) These accessories can be mounted on the lower deck only.  
 (2) Use of these accessories requires the user to cut out the partition.  
 (3) For block equipped with AL2 or DCG.

