

Interfast Terminal blocks

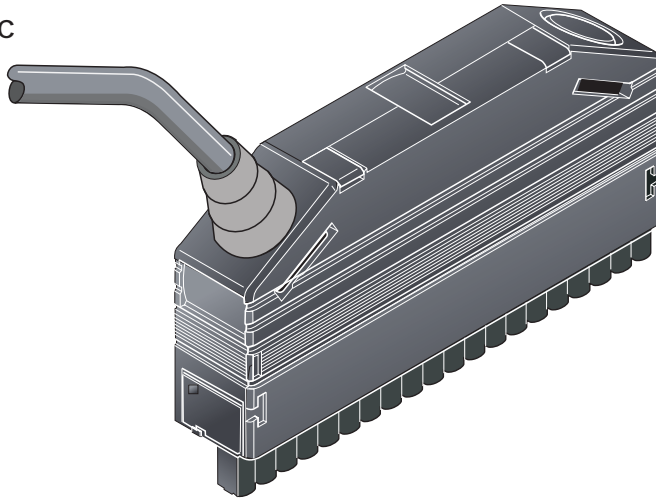


Summary

D1 - Terminal blocks	200
----------------------------	-----

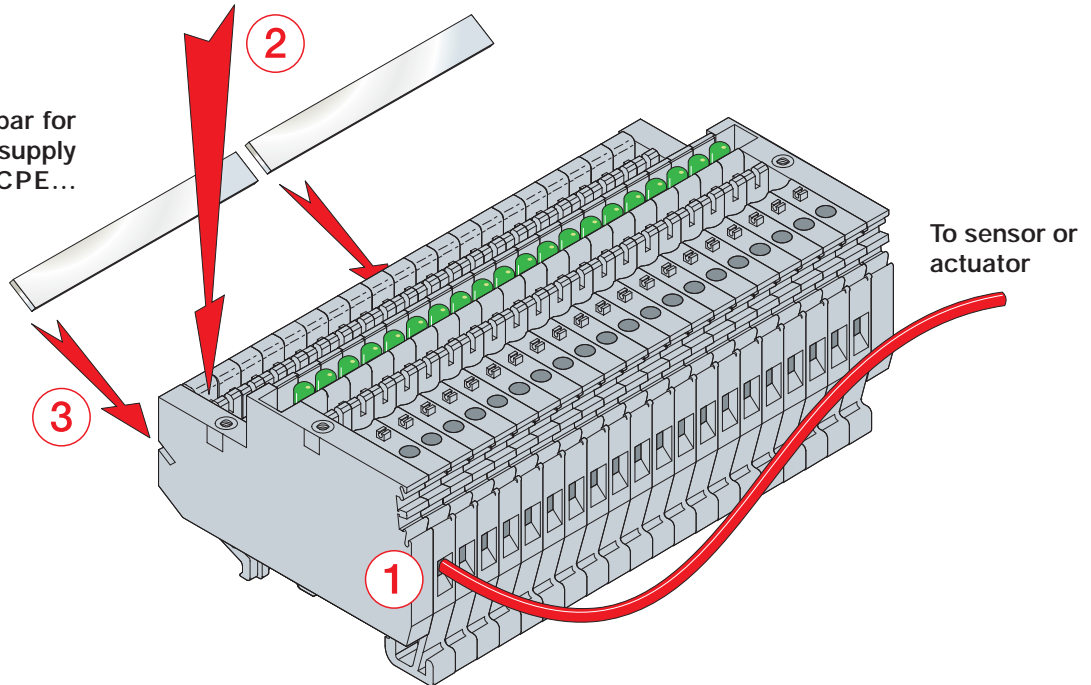
Connection of the assemblies

To PLC



2

Comb-type jumper bar for
Led blocks power supply
using MA 2,5/5-2CPE...
blocks



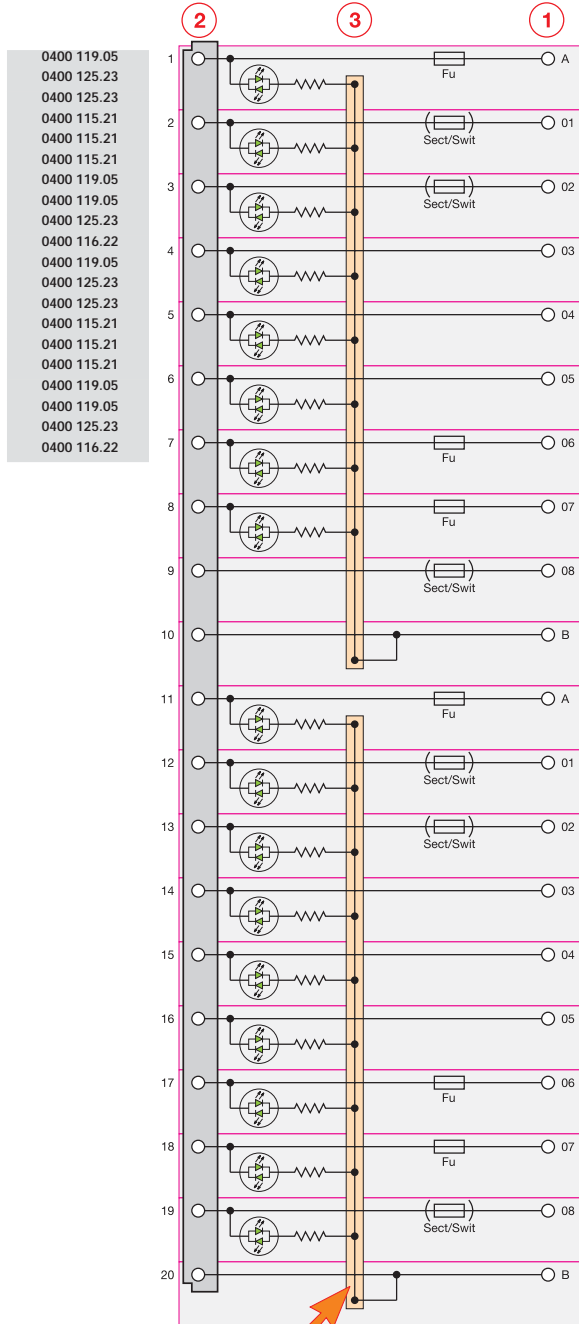
To sensor or
actuator

Standard pre-wired assemblies
Ask for our «Interfast» catalog.

Assemblies made on request,
consult us.

Applications

Omniconnect connector to PLC



Leds commons through
BO Ø5 bus bar

Terminal blocks

with removable connector

- Feed through
- Double deck
- Heavy duty switch with blade
- With plug fuse holder
- compression clamp

DIN 1-3

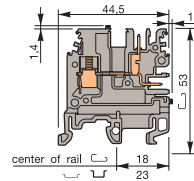
Mounting on rail DIN 1 and 3, possibility to connect 1 or 2 5,08 mm plugs. Bus bar for Led supply.

End stop		th. 9 mm	BADL	V0	0399 903.02
End stop		th. 9,1 mm	BAM	V2	0103 002.26
End stop		th. 9,1 mm	BAM V0	V0	0199 306.03
Rail		35 x 7,5 x 1	PR3.Z2		0174 300.17
Rail		35 x 15 x 2,3	PR4		0168 500.12
Rail		35 x 15 x 1,5	PR5		0168 700.22
Rail		32 x 15 x 1,5	PR1.Z2		0163 050.04

CE

MA 2,5/5.CPE...

Spacing 5.08 mm .200"



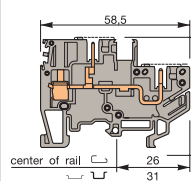
MA 2,5/5.CPE : standard block.

MA 2,5/5-CPE-L24BD : block equipped with 24 V - 4,8 mA green bidirectional LED.

MA 2,5/5-CPE-AB : block equipped with a zero value resistor for bidirectional leds power supply.

MA 2,5/5.2CPE...

Spacing 5.08 mm .200"



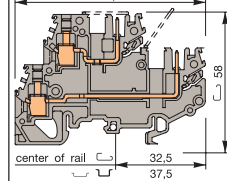
MA 2,5/5.2CPE : standard block.

MA 2,5/5.2CPE-Pb : block equipped only with a low pin for use with switch or fuse holder block.

MA 2,5/5-2CPE-1-L24BD.... : block equipped with 24 V - 4,8 mA green bidirectional LED.

MA 2,5/5D2.2CPE...

Spacing 5.08 mm .200"



MA 2,5/5D2.2CPE : double deck blocks with 2 independent levels.

MA 2,5/5D2-2CPE-1-L24BD : double deck blocks with 24 V - 4,8 mA green bidirectional LED on each level.

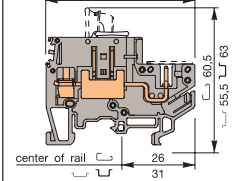
MA 2,5/5D2-2CPE-1-L24BD : double deck blocks with 24 V - 4,8 mA green bidirectional LED on top level. The bottom level allow polarity distribution.

MA 2,5/5D2-2CPE-1-AB : block equipped with a zero value resistor for bidirectional leds power supply.

MA 2,5/5D2-2CPE-1-AB/1 : block equipped with a zero value resistor for bidirectional leds power supply on the top level. The bottom level allow polarity distribution.

MA 2,5/5.SNB...-CPE

Spacing 5.08 mm .200"



MA 2,5/5-SNB-CPE : standard block. Heavy duty switch with black blade.

MA 2,5/5-SNB-CPE-L24BD : block equipped with 24 V - 4,8 mA green bidirectional LED. Heavy duty switch with black blade.

MA 2,5/5-SNB-CPE-AB : block equipped with a zero value resistor for bidirectional leds power supply. Heavy duty switch with black blade.

		Type	P/N	Type	P/N	Type	P/N	Type	P/N
Standard blocks	ABB V0 grey body	MA 2,5/5.CPE	0400 107.02	MA 2,5/5.2CPE	0400 127.25	MA 2,5/5D2.2CPE	0400 106.01	MA 2,5/5.SNB-CPE	0400 128.06
LED blocks	ABB V0 grey body	MA 2,5/5.CPE-1-L24BD	0400 113.27	MA 2,5/5.2CPE-1-L24BD	0400 115.21	MA 2,5/5D2.2CPE-1-L24BD	0400 121.27	MA 2,5/5.SNB-CPE-L24BD	0400 125.23
LED blocks	ABB V0 grey body					MA 2,5/5D2.2CPE-1-L24BD	0400 123.21	MA 2,5/5.SNB-CPE-AB	0400 126.24
Power supply blocks	ABB V0 grey body	MA 2,5/5.CPE-AB	0400 114.20	MA 2,5/5.2CPE-1-AB	0400 116.22	MA 2,5/5D2.2CPE-1-AB	0400 122.20		
Power supply blocks	ABB V0 grey body					MA 2,5/5D2.2CPE-1-AB/1	0400 124.22		

Characteristics

Wire size	mm ² / AWG	Solid wire	IEC			UL			CSA			IEC			UL			CSA		
			0.2 - 4	24-12AWG	24-12AWG	0.2 - 4	24-12AWG	24-12AWG	0.2 - 4	24-12AWG	24-12AWG	0.2 - 4	24-12AWG	24-12AWG	0.2 - 4	24-12AWG	24-12AWG			
		Stranded wire	0.22 - 2.5	24-12AWG	24-12AWG	0.22 - 2.5	24-12AWG	24-12AWG	0.22 - 2.5	24-12AWG	24-12AWG	0.22 - 2.5	24-12AWG	24-12AWG	0.22 - 2.5	24-12AWG	24-12AWG			
Rated voltage	V	AC ~ / = DC	320 (3)	300	300	320	300	300	320 (3)	300	300	320 (3)	300	300	320	300	300			
Rated current	A		24/12+12	20/10+10	20/10+10	12	10	10	12/12	10/10	10/10	10	10	10	10	10	10			
Rated wire size	mm ² / AWG		2.5 mm ² / 12 AWG	12 AWG	12 AWG	2.5 mm ² / 12 AWG	12 AWG	12 AWG	2.5 mm ² / 12 AWG	12 AWG	12 AWG	2.5 mm ² / 12 AWG	12 AWG	12 AWG	12 AWG	12 AWG	12 AWG			
Wire stripping length	mm / inches		8.5 mm / .33"			10 mm / .394"			10 mm / .394"			10 mm / .394"								
Recommended torque	Nm / lb.in.		0.4-0.6 Nm / 3.5-5.3 lb.in.			0.4-0.6 Nm / 3.5-5.3 lb.in.			0.4-0.6 Nm / 3.5-5.3 lb.in.			0.4-0.6 Nm / 3.5-5.3 lb.in.								

Accessories

	Type	P/N	Type	P/N	Type	P/N	Type	P/N	
1 End section	grey	FEM6 th.2.8	118 368.16	FE2CPE th.2.8	215 038.20	FEDCP th.2.8	215 071.21	FE2CPE th.2.8	215 038.20
2 Separator end section (block)	grey	FEM6 th.2.8	128 368.10						
3 Separator end section (rail)	grey	SCF6 th.2.8	118 707.03						
4 Test socket	DIA. 2 mm	AL2 ①② th.2.8	163 046.24	AL2 ①② th.2.8	163 046.24	AL2 ①② th.2.8	163 046.24	AL2 ①② th.2.8	163 046.24
5 Test device		DCB blue	105 028.21	DCB blue	105 028.21	DCB blue	105 028.21	DCB blue	105 028.21
6 Test plug	DIA. 2 mm	FC2	007 865.26	FC2	007 865.26	FC2	007 865.26	FC2	007 865.26
7 Preassembled jumper bar IP 20 touchproof	2 poles	BJM15 ①②	176 278.16	BJM15 ①②	176 278.16	BJM15 ①②	176 278.16	BJM15 ①②	176 278.16
	3 poles	BJM15 ①②	176 279.17	BJM15 ①②	176 279.17	BJM15 ①②	176 279.17	BJM15 ①②	176 279.17
	4 poles	BJM15 ①②	176 280.05	BJM15 ①②	176 280.05	BJM15 ①②	176 280.05	BJM15 ①②	176 280.05
	5 poles	BJM15 ①②	176 281.22	BJM15 ①②	176 281.22	BJM15 ①②	176 281.22	BJM15 ①②	176 281.22
	10 poles	BJM15 ①②	176 282.23	BJM15 ①②	176 282.23	BJM15 ①②	176 282.23	BJM15 ①②	176 282.23
8 Jumper bar not preassembled		BJS5,08 ①② 24 poles	177 872.23	BJS5,08 ①② 24 poles	177 872.23	BJS5,08 ①② 24 poles	177 872.23	BJS5,08 ①② 24 poles	177 872.23
	Post + screw + washer	EV5	168 629.16	EV5	168 629.16	EV5	168 629.16	EV5	168 629.16
9 Connector plate		EL6	173 627.21	EL6	173 627.21	EL6	173 627.21	EL6	173 627.21
10 Comb-type jumper bar	2 poles	PC5	113 542.10	PC5	113 542.10	PC5	113 542.10	PC5	113 542.10
	10 poles	PC5	113 544.12	PC5	113 544.12	PC5	113 544.12	PC5	113 544.12
		EIP	113 550.24	EIP	113 550.24	EIP	113 550.24	EIP	113 550.24
11 Shielding connector		CBM5	178 745.14	CBM5	178 745.14	CBM5	178 745.14	CBM5	178 745.14
		CBM8	178 746.15	CBM8	178 746.15	CBM8	178 746.15	CBM8	178 746.15
12 Blocking peg		COCF32	173 660.16	COCF32	173 660.16	COCF32	173 660.16	COCF32	173 660.16
13 Detachable protection strips		CPF 5,08 10 poles	199 323.23	CPF 5,08 10 poles	199 323.23	CPF 5,08 10 poles	199 323.23	CPF 5,08 10 poles	199 323.23
14 End section-flange kit (R+L)		FE-BCP th. 5.06	400 094.20	FE-BCP th. 5.06	400 094.20	FE-BCP th. 5.06	400 094.20	FE-BCP th. 5.06	400 094.20
15 Busbar for LED common		BO05 length 500	177 849.04	BO05 length 500	177 849.04	BO05 length 500	177 849.04	BO05 length 500	177 849.04
16 Coding peg Nr 1		COC1	299 777.16	COC1	299 777.16	COC1	299 777.16	COC1	299 777.16
17 Plug fuse holder									
18 Fuse									
R See markers section		RC510		RC510		RC510		RC510	

Other accessories see section accessories

① SC or FE is required with the use of these accessories for isolate each circuit or for a voltage > to 250 V. ② Use of these accessories requires the cut-out of the block body (precut) for blocks MA 2,5/51. (3) Working voltage : according to Led.

MA 2,5/5-SB-CPE

Spacing 5.08 mm .200"

MA 2,5/5-SB-CPE : switch block with polarized plug (delivered separately).

MA 2,5/5-SFA...-CPE

Spacing 5.08 mm .200"

MA 2,5/5-SFA-CPE : switching block with fuse holder for Automotive Mini Fuse.
 MA 2,5/5-SFA-CPE-L24BD : switching block with fuse holder for Automotive Mini Fuse, equipped with bidirectional green LED 24 V - 4.8 mA.
 MA 2,5/5-SFA-CPE-AB : switching block with fuse holder for Automotive Mini Fuse, equipped with a zero value resistor for bidirectional leds power supply.

Bus bar used to common LED's. Use MA 2,5/5...CPE...AB type blocks to polarise the bus bar.

These blocks are shipped with 10 poles detachable protection strips, designed to protect the male contact pins (not assembled on the blocks).

Type	P/N	Type	P/N
MA 2,5/5-SB-CPE	0400 117.23	MA 2,5/5-SFA-CPE	0400 118.04
		MA 2,5/5-SFA-CPE-L24BD	0400 119.05
		MA 2,5/5-SFA-CPE-AB	0400 120.02

IEC	UL pending	CSA pending	IEC	UL pending	CSA pending
0.2 - 4	24-12AWG	24-12AWG	0.2 - 4	24-12AWG	24-12AWG
0.22 - 2.5			0.22 - 2.5		
320	300	300	320 (3)	300	300
10 (4)	10 (4)	10 (4)	3	3	3
2.5 mm ²	12 AWG	12 AWG	2.5 mm ²	12 AWG	12 AWG
	10 mm / .394"			10 mm / .394"	
0.4-0.6 Nm / 3.5-5.3 lb.in.			0.4-0.6 Nm / 3.5-5.3 lb.in.		

Type	P/N	Type	P/N
FE2CPE th.2.8	215 038.20	FE2CPE th.2.8	215 038.20
DCB blue	105 028.21	FC2	007 865.26
FC2	007 865.26		
PC5	113 542.10	PC5	113 542.10
PC5	113 544.12	PC5	113 544.12
EIP	113 550.24	EIP	113 550.24
COCF32	173 660.16	COCF32	173 660.16
CPF 5.08 10 poles	199 323.23	CPF 5.08 10 poles	199 323.23
FE-BCP th.5.06	400 094.20	FE-BCP th.5.06	400 094.20
BO05 length 500	177 849.04	BO05 length 500	177 849.04
COC1	299 777.16	COC1	299 777.16
FUBS (6) 0.5A	174 893.16	FUAUTO (7)	179 879.14
FUBS (6) 1A	174 894.17	FUAUTO (7)	179 880.02
FUBS (6) 2A	174 895.10		
FUBS (6) 3A	174 895.10		
FUBS (6) 3A	174 895.10		
FUBS (6) 5A	174 897.12		

RC510

(4) Rated current : according the fuse : 5 A max. (5) Plug + solder tags + screws.
 (6) Soldered fuse. (7) Mini fuse - 32 V max.

MA 2,5/5-CPE-L24BD

Standard block equipped with a 24 V - 4.8 mA green bidirectional LED.

MA 2,5/5-CPE-AB

Standard block equipped with a zero value resistor.

MA 2,5/5-2CPE1-L24BD

Standard block equipped with a 24 V - 4.8 mA green bidirectional LED.

MA 2,5/5-2CPE1-AB

Standard block equipped with a zero value resistor.

MA 2,5/5D2-2CPE1-AB

Double deck block equipped with 24V - 4.8 mA green bidirectional LED on each level.

MA 2,5/5D2-2CPE1-1L24BD

Double deck blocks with 24 V - 4.8 mA green bidirectional LED on top level.

MA 2,5/5D2-2CPE1-AB

Double deck block equipped with a zero value resistor on each level.

MA 2,5/5D2-2CPE1-AB/1

Double deck block equipped with a zero value resistor on top level.

MA 2,5/5-SNB-L24BD

Switch block equipped with 24 V - 4.8 mA green bidirectional LED.

MA 2,5/5-SNB-CPE-AB

Switch block equipped with a zero value resistor.

MA 2,5/5-SFA-CPE-L24BD

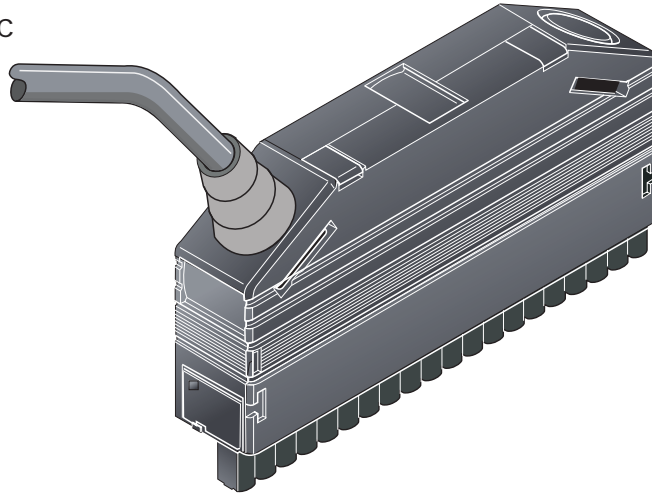
Fuse block equipped with 24 V - 4.8 mA green bidirectional LED.

MA 2,5/5-SFA-CPE-AB

Fuse block equipped with a zero value resistor.

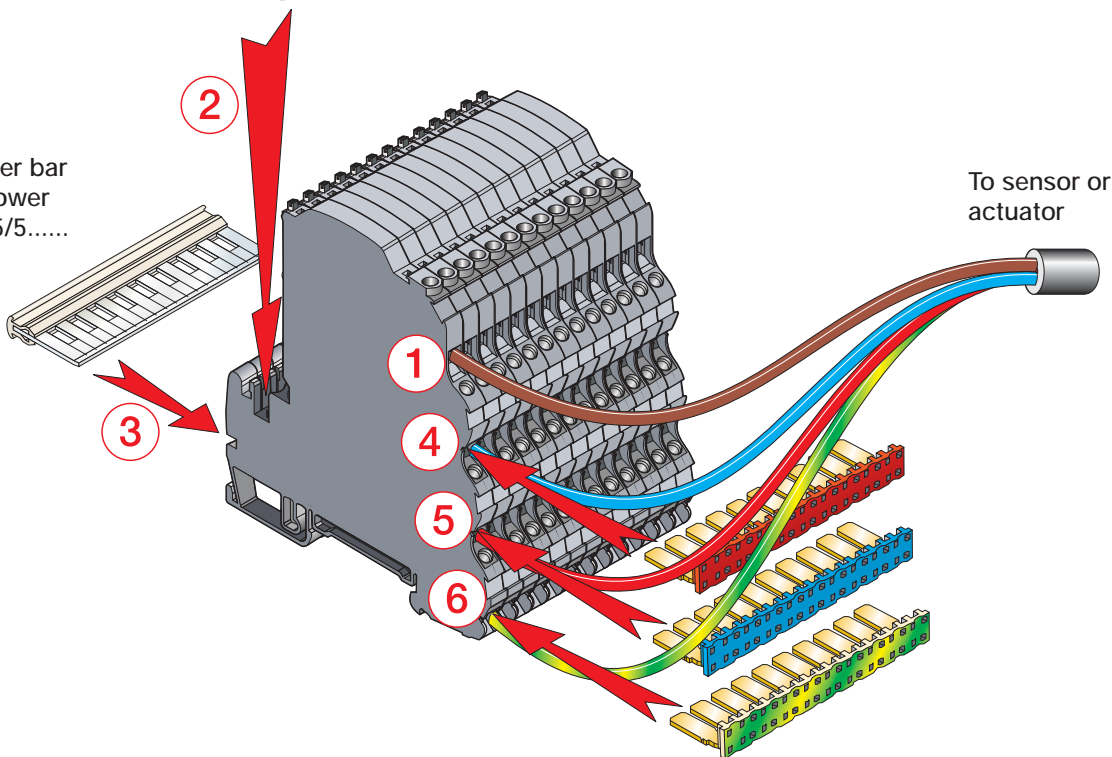
Connection of the assemblies

To PLC



2

Comb-type jumper bar for Led blocks power supply using D2,5/5..... AB blocks



To sensor or actuator

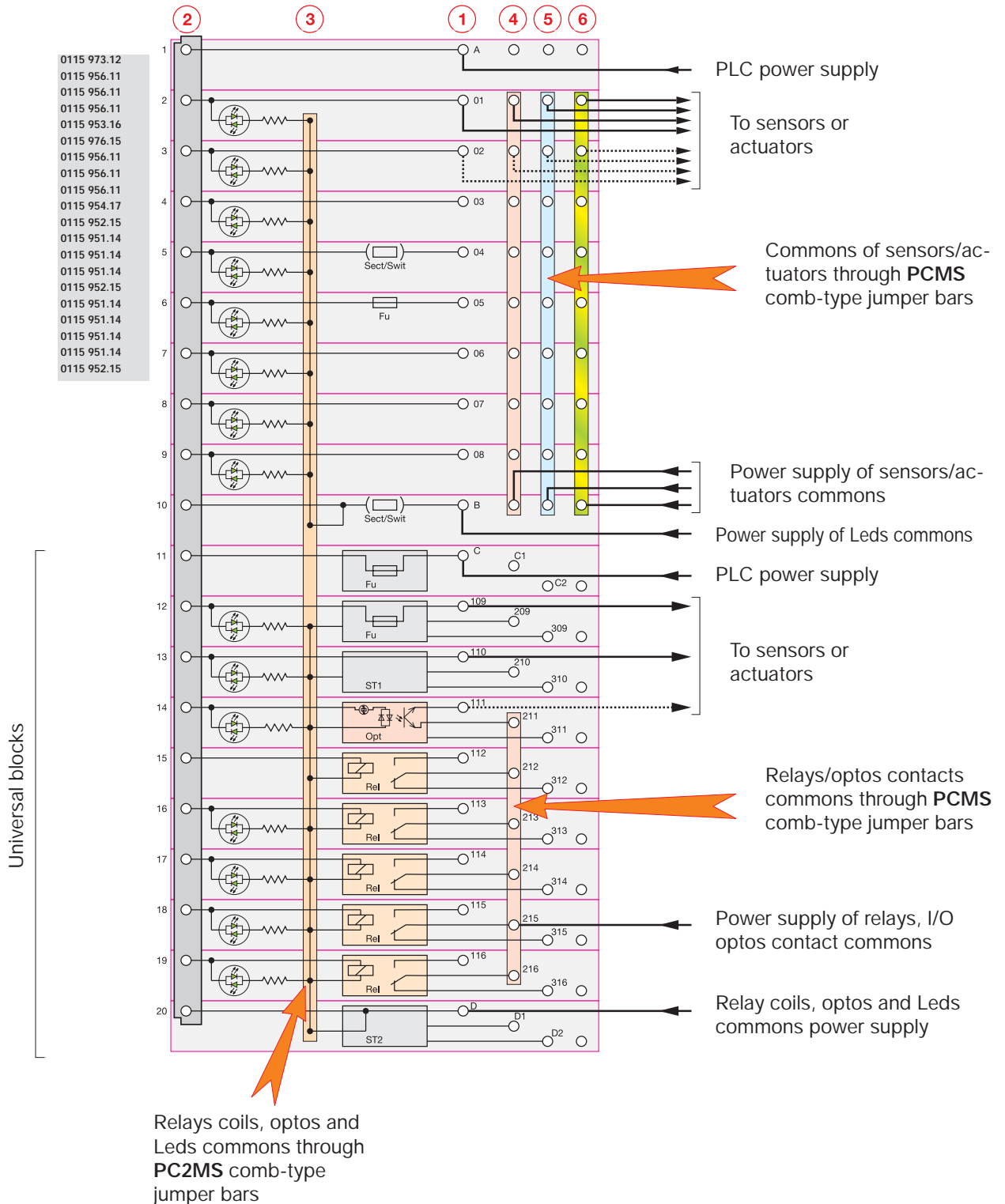
Power supply and protection commons through interconnection bars

Standard pre-wired assemblies
Ask for our «Interfast» catalog.

Assemblies made on request,
consult us.

Applications

Omniconnect
connector
to PLC



Terminal blocks for connector

Compression clamp

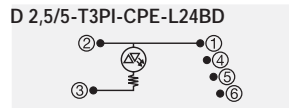
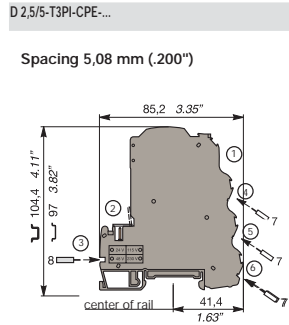
DIN 3



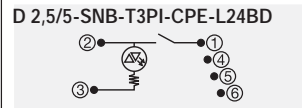
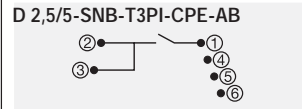
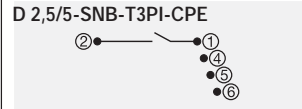
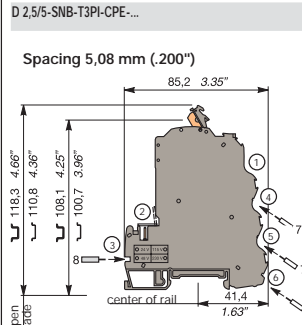
End stop		th. 9 mm	BADL	V0	0399 903.02
End stop		th. 9,1 mm	BAM	V2	0103 002.26
End stop		th. 9,1 mm	BAM V0	V0	0199 306.03
Rail		35 x 7,5 x 1	PR3.Z2		0174 300.17
Rail		35 x 15 x 2,3	PR4		0168 500.12
Rail		35 x 15 x 1,5	PR5		0168 700.22

Observations

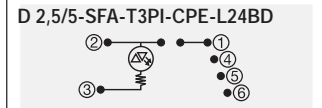
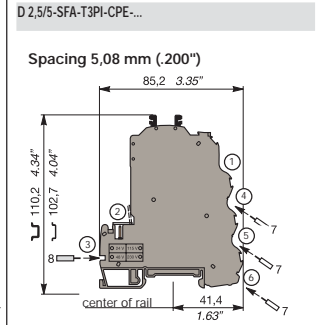
Max. working temperature
 version without LED : 100°C
 version with LED : 85°C
 Contact resistance : < 5 mΩ



Equipped with a green 2 direction LED 24 V - 4,7 mA



Equipped with a green 2 direction LED 24 V - 4,7 mA



Equipped with a green 2 direction LED 24 V - 4,7 mA

D
1

Type	Part numbers	Type	Part numbers	Type	Part numbers
Grey V0		Grey V0		Grey V0	
D 2,5/5-T3PI-CPE	0115 973.12	D 2,5/5-SNB-T3PI-CPE	0115 972.11	D 2,5/5-SFA-T3PI-CPE	0115 974.13
D 2,5/5-T3PI-CPE-AB	0115 955.10	D 2,5/5-SNB-T3PI-CPE-AB	0115 954.17	D 2,5/5-SFA-T3PI-CPE-AB	0115 975.14
D 2,5/5-T3PI-CPE-L24BD	0115 956.11	D 2,5/5-SNB-T3PI-CPE-L24BD	0115 953.16	D 2,5/5-SFA-T3PI-CPE-L24BD	0115 976.15

Characteristics

Wire size	Compression clamp	Solid wire	IEC	UL/CSA pending	Solid wire	IEC	UL/CSA pending	Solid wire	IEC	UL/CSA pending
			0,2-4 mm²	24-12 AWG		0,2-4 mm²	24-12 AWG		0,2-4 mm²	24-12 AWG
		Stranded wire	0,22-2,5 mm²	24-12 AWG		0,2-4 mm²	24-12 AWG		0,22-2,5 mm²	24-12 AWG
Voltage	Rated		320 V	300 V		320 V	300 V		320 V	300 V
	Pulse		4 kV	4 kV		4 kV	4 kV		4 kV	4 kV
	Pollution degree		3	3		3	3		3	3
Current	Rated		12 A	10 A		10 A	10 A		10 A	10 A
	Wire size	Rated / Gauge	2,5 mm²	12 AWG		2,5 mm²	12 AWG		2,5 mm²	12 AWG
Wire stripping length			10 mm / .394"				10 mm / .394"			
Recommended screwdriver			3,5 mm / .137"				3,5 mm / .137"			
Recommended torque			0,4-0,6 Nm / 3,5-5,3 lb.in				0,4-0,6 Nm / 3,5-5,3 lb.in			
Protection			IP 20 / NEMA1 (5)				IP 20 / NEMA1 (5)			

Accessories

Type	Part numbers	Type	Part numbers	Type	Part numbers
1 Detachable protection strips	CPF 5,08 10 poles 0199 323.23	1 Detachable protection strips	CPF 5,08 10 poles 0199 323.23	1 Detachable protection strips	CPF 5,08 10 poles 0199 323.23
2 12 or 20 poles cover	CPMS 20 (4) 0205 227.01	2 12 or 20 poles cover	CPMS 20 (4) 0205 227.01	2 12 or 20 poles cover	CPMS 20 (4) 0205 227.01
3 34 poles cover	CPMS 34 (4) 0206 163.02	3 34 poles cover	CPMS 34 (4) 0206 163.02	3 34 poles cover	CPMS 34 (4) 0206 163.02
3 Label for CPMS cover		RTMS 12 poles	0205 805.06	RTMS 12 poles	0205 805.06
4 Blocking peg	COCF 32 0173 660.16	20 poles	0205 361.17	20 poles	0205 361.17
5 Coding peg Nr 1	COC1 0299 777.16	34 poles	0206 164.03	34 poles	0206 164.03
6 End section-flange kit (R + L)	FEMS 0400 110.00				
7 Comb type jumper bar	PCMS V0 2 to 22 poles see next pages				
8 Jumper bar IP20 - 24 A orange	PC2MS 34 poles 0400 169.17				
9 Test device	DCB (3) blue 0105 028.21				
10 Test plug	FC2 DIA. 2 0007 865.26				
11 ATO fuse-holder plug black					
12 ATO fuse-holder plug black					
13 Mini Fuse - 32 V max.					
14 Separator	SCMS 0400 172.02				
R See section on marking	Marking method				

(3) Solely on the top stage.
 (4) Sticks to the end section-flanges 6. (5) IP20 block with detachable protection strips, to order separately.
 (6) Do not use with CPMS cover on.

Terminal blocks for connector Compression clamp

DIN 3



End stop		th. 9 mm	BADL	V0	0399 903.02
End stop		th. 9,1 mm	BAM	V2	0103 002.26
End stop		th. 9,1 mm	BAM V0	V0	0199 306.03
Rail		35 x 7,5 x 1	PR3.Z2		0174 300.17
Rail		35 x 15 x 2,3	PR4		0168 500.12
Rail		35 x 15 x 1,5	PR5		0168 700.22

Observations

Max. working temperature
version without LED : 100°C
version with LED : 85°C
Contact resistance : < 5 mΩ

Characteristics

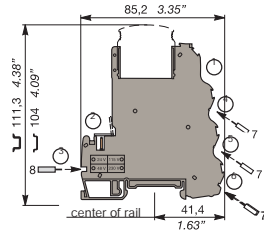
Wire size	Compression clamp	Wire	
		Solid wire	Stranded wire
Voltage	Rated	320 V	300 V
	Pulse	4 kV	
Current	Rated	6 A	6 A
	Wire size	2,5 mm ²	12 AWG
Wire stripping length		10 mm / .394"	
Recommended screwdriver		3,5 mm / .137"	
Recommended torque		0,4-0,6 Nm / 3,5-5,3 lb.in	
Protection		IP 20 / NEMA1 (5)	

Accessories

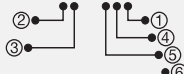
Type	Part numbers
1 Detachable protection strips	CPF 5,08 10 poles 0199 323.23
2 12 or 20 poles cover	CPMS 20 (4) 0205 227.01
3 34 poles cover	CPMS 34 (4) 0206 163.02
3 Label for CPMS cover	RTMS 12 poles 0205 805.06
	20 poles 0205 361.17
	34 poles 0206 164.03
4 Blocking peg	COCF 32 0173 660.16
5 Coding peg Nr 1	COC1 0299 777.16
6 End section-flange kit (R + L)	FEMS 0400 110.00
7 Comb type jumper bar	PCMS V0 2 to 22 poles see next pages
8 Jumper bar IP20 - 24 A	PC2MS 10 poles 0400 110.00
	34 poles 0400 171.01
9 Test device	DCB (3) blue 0105 028.21
10 Test plug	FC2 DIA. 2 0007 865.26
11 Plugs	BNMS D 2,5/5-UNI-CPE compatible with model 1 et 2
	D 2,5/5-UNI-CPE-L24BD compatible with model 1
12 Separator	SCMS 0400 172.02
R See section on marking	Marking method

D 2,5/5-UNI-CPE...

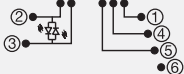
Spacing 5,08 mm (.200")



D 2,5/5-UNI-CPE



D 2,5/5-UNI-CPE-L24BD



Equipped with a green LED 4,7 mA

BNMS

Model 1 plugs

Input optocoupler plugs

(See Characteristics on the next pages)

5 V DC	BNMS T5V-1		0031 831.03
24 V DC	BNMS T24V-1		0031 800.21
48 V DC	BNMS T48V-1		0031 801.16
125 V DC	BNMS T125V-1		0031 845.11
24 V AC	BNMS T24V-1		0031 802.17
48 V AC	BNMS T48V-1		0031 803.10
115 V AC	BNMS T115V-1		0031 804.11
230 V AC	BNMS T230V-1		0031 805.12

Output optocoupler plugs

24 V DC 100 mA	BNMS N24V-3		0031 807.14
24 V DC 100 mA	BNMS P24V-3		0031 810.12
24 V DC 2 A	BNMS N24V-1		0031 813.01
24 V DC 2 A	BNMS P24V-1		0031 815.03
24 V DC 1 A	BNMS N24V-2		0031 817.05
24 V DC 1 A	BNMS P24V-2		0031 819.17
24 V AC 1 A	BNMS A24V-4		0031 839.13

Relay plug

1 RT	BNMS R24V-1		0031 820.14
------	-------------	--	-------------

Fuse plug

125 V / 125 mA	BNMS F125mA-1		0031 821.01
125 V / 500 mA	BNMS F250mA-1		0031 838.12
125 V / 2 A	BNMS F2A-1		0031 822.02
125 V / 5 A	BNMS F5A-1		0031 823.03
250 V / 125 A	BNMS F125mA-2		0031 824.04
250 V / 2 A	BNMS F2A-2		0031 825.05
250 V / 5 A	BNMS F5A-2		0031 826.06

Fuse plug

125 V / 125 mA	BNMS F125mA-3		0031 827.07
250 V / 125 mA	BNMS F125mA-4		0031 828.10

Strap plug

BNMS ST1		0031 829.11
BNMS ST2		0031 830.16

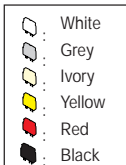
Model 2 plugs

Output optocoupler plugs

5 V DC 100 mA	BNMS N5V-3		0031 806.13
5 V DC 100 mA	BNMS P5V-3		0031 809.26
48 V DC 100 mA	BNMS N48V-3		0031 808.25
48 V DC 100 mA	BNMS P48V-3		0031 811.07
5 V DC 2 A	BNMS N5V-1		0031 812.00
5 V DC 2 A	BNMS P5V-1		0031 814.02
5 V DC 1 A	BNMS N5V-2		0031 816.04
5 V DC 1 A	BNMS P5V-2		0031 818.16

Converter plug

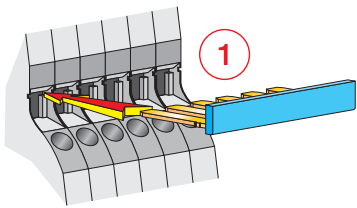
0 - 20 mA	0 - 10 V	BNMS CAI/U-500		0031 832.04
4 - 20 mA	2 - 10 V	BNMS CAI/U-500		0031 832.04
0 - 20 mA	0 - 5 V	BNMS CAI/U-250		0031 833.05
4 - 20 mA	1 - 5 V	BNMS CAI/U-250		0031 833.05



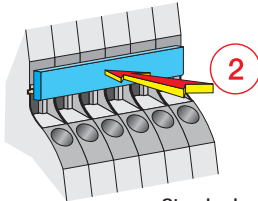
(3) Solely on the top stage.
(4) Sticks to the end section-flanges 6. (5) IP20 block with detachable protection strips, to order separately.
(6) Do not use with CPMS cover on.

COMB TYPE JUMPER BAR INSTALLATION

NOTE : It is recommended to install the comb type jumper bar before mounting the terminal boards on the rail. Make sure that the screws are completely loosened.



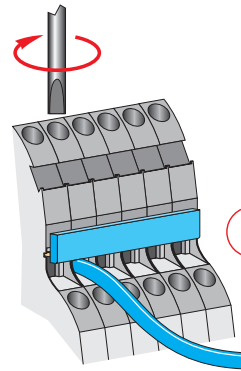
1 - Insert the comb type jumper bar into the compression clamp hole and push in upper position.



2 - Push the comb type jumper bar right against the terminal boards.

Standard comb type jumper bar :

No of poles	Type	GREY	RED	BLUE	YELLOW/GREEN
12	BFMS-12	0205 531.22	0205 532.23	0205 533.24	0205 534.25
20	BFMS-20	0205 563.02	0205 564.03	0205 565.04	0205 566.05

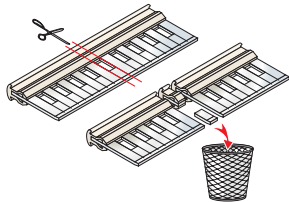


interfast MS

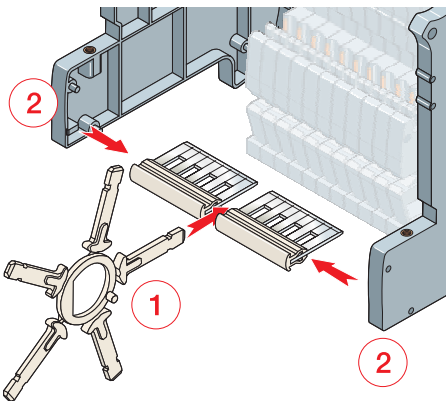
3 - Snap the terminal board on the rail. Connect the wires if necessary, and lock the comb type jumper bar with all the screws.

MAINTENANCE

A Shunt use

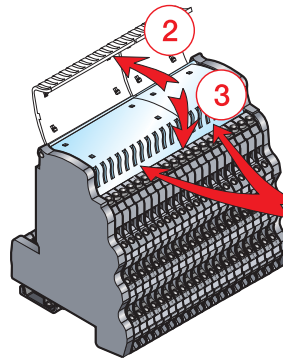


To separate the shunt, cut it on both sides of the indicated zone. Throw away the useless pieces.



Each shunt end has to be flanked by a separator ① or an end section ②.

B Cover opening / closing



Opening

- 1 - Push lightly in the direction of the arrows.
- 2 - Open the cover according to the arrow.

Closing

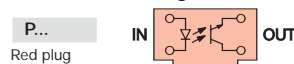
- 1 - Push lightly in the direction of the arrows.
- 3 - Close the cover according to the arrow.

D Plug description

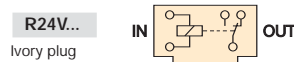
Opto coupler output with negative field voltage



Opto coupler output with positive field voltage



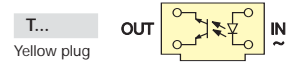
Output relay



DC input opto coupler



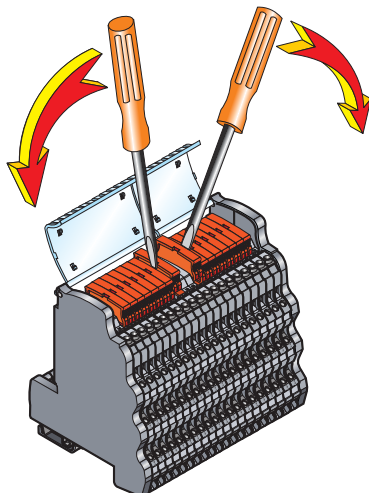
AC input opto coupler



Fuse



C Plug extraction



1 - Insert the screwdriver in the slot and lever out right or left to extract the plug.

