



Terminal blocks

C - ADO System®

entrelec'

Summary

1. ADO - Screw clamp connection

Feed-through terminal blocks

Standard blocks	202
Double deck blocks	209

Terminal blocks for neutral circuits	214
---	-----

Ground terminal blocks

Not electrically connected to the mounting rail	215
Electrically connected to the mounting rail	216

Heavy duty switch terminal blocks

With blades	217
With plug and AUTO fuses	220

Switch fuse holder terminal blocks

For AUTO fuses or 5 x 20 and 5 x 25 mm fuses	223
--	-----

Neutral switch terminal blocks	228
---	-----

Terminal blocks for safety connection	230
--	-----

ADO - Screw clamp miniblocks

Miniblocks for DIN3 rail	233
Miniblocks for DIN2 rail	237
Miniblocks for base mounting with flanges	241
Miniblocks for base mounting with snap in foot	244

Ground miniblocks

Not electrically connected to the DIN3 mounting rail	235
Electrically connected to the DIN3 mounting rail	236
Not electrically connected to the DIN2 mounting rail	239
Electrically connected to the DIN2 mounting rail	240
Not electrically connected to the mounting plate - base mounting with flanges	243
Not electrically connected to the mounting plate - base mounting with snap in foot	246

2. ADO - ADO connection

Feed-through terminal blocks

Standard blocks	248
Double deck blocks	255

Terminal blocks for sensor / actuators	258
---	-----

Terminal blocks for neutral circuits	261
---	-----

Ground terminal blocks

Not electrically connected to the mounting rail	263
Electrically connected to the mounting rail	264

Heavy duty switch terminal blocks

With blades	265
With plug and AUTO fuses	268

Switch fuse holder terminal blocks

For AUTO fuses or 5 x 20 and 5 x 25 mm fuses	271
--	-----

Neutral switch terminal blocks	274
---	-----

Component holder terminal blocks	276
---	-----

ADO - ADO miniblocks

Miniblocks for DIN3 rail	279
Miniblocks for DIN2 rail	283
Miniblocks for base mounting with flanges	287
Miniblocks for base mounting with snap in foot	290

Ground miniblocks

Not electrically connected to the DIN3 mounting rail	281
Electrically connected to the DIN3 mounting rail	282
Not electrically connected to the DIN2 mounting rail	285
Electrically connected to the DIN2 mounting rail	286
Not electrically connected to the mounting plate - base mounting with flanges	289
Not electrically connected to the mounting plate - base mounting with snap in foot	292

3. ADO connection tools	293
--------------------------------------	-----

ADO SYSTEM® TERMINAL BLOCKS

TECHNICAL SPECIFICATIONS



Labelling

Blocks can be identified using **pre-printed or made-to-measure markers, in the form of tapes, which can be put into place both easily and rapidly.** Marking ink resists **chemical** (solvents, corrosives) and **mechanical** (abrasion, friction) **attack.**

Multi-function channels

With the **central** multifunction channel **test plugs, jumper bars** (screwed or screw-less), alternated jumper bars and labelling systems, etc. can be put in place.



Terminal bars

The **copper alloy** terminal bar provides **maximum mechanical resistance** and **high electrical conductivity.**

Side channel for inserting the ADO System® tool and putting test blocks and screw-less connector strips in place.

The Choice

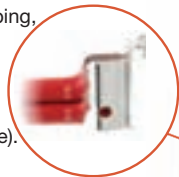
Today ABB offers the most **complete range on the market.**

- The widest range (over 250 references).
- The widest range of connection sizes (0.22 to 4mm²).
- The largest number of compatible conductors (>400).

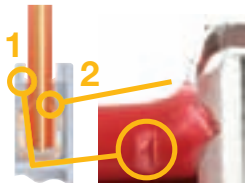
The ADO System®

As connections are self-stripping, **the conductor requires no prior preparation.**

- **Corrosion proof:** All contact materials are in copper (grip + conductor core).



ADO System® terminal blocks are also available in a **mixed ADO System® and screw-clamp version**, offering the choice between all the advantages of the ADO System® connection and use with standard screw connections.



- **Vibration proof:** double holding system, (insulator body (1) + grip (2)).
- **Total reliability:** a highly resilient grip (that always works within its limits of resilience).

Contrary to terminal blocks that use other types of IDC connections, ADO System® blocks provide total security when used with the special connecting tool. The quality of all connections is constant and does not depend on variations in operator performance.

Insulating material

Insulating material is in polyamide and contains no asbestos, cadmium, phosphor or halogen elements. Manufactured to the **highest standards** (thermal resistance from -40 to +110°C) and with their **self-extinguishing** capacities they **comply with European directives.** Also available in a wide variety of colours.



Locking pin

- Simple and rapid to use for locking up to ten blocks in position at a time (1).
- Improved storage (2).
- Does not prevent individual blocks from being removed (3).
- Eliminates any risk of mistake during assembly.



ADO System® CONNECTION TECHNOLOGY

ADO System® technology combines rapid connection with total safety. It is particularly recommended for use in the most difficult environments

The Principle

A non-prepared conductor is pushed into the grip using a special tool.

The 2 cone-shaped guides ensure that the conductor is perfectly centred and that the insulating sheath is cut with 2 notches for exposing the conductor's copper core.

Pushed in by the tool, the conductor moves forward between the 2 parallel guides that make the electrical contact.



Safety / Reliability

With the ADO System® tool all connections are first-class and are not subject to variations in operator performance.

The insulation displacement technique eliminates all risks related to preparing conductors and helps to make connections liquid tight as only the surface needed for the connection is stripped.

All contact materials are in copper (grip + conductor core) so the ADO System® is highly corrosion resistant.

Particularities

With the ADO System® connection two conductors of the same type and gauge can be connected.



The connecting tool is available in the following versions:

- **Semi-automatic (1)** (designed for use in workshops and suitable for use in electrical cabinets).
- **Pneumatic (2)** (designed for production cabling and recommended for use on workbenches.)
- **Hand (3)** (suitable for maintenance and repair work).



It also resists extremely well to vibration. The C-shaped grip always works within its limits of resilience. Therefore, contact pressure remains constant, no matter whether one or two conductors are inserted.

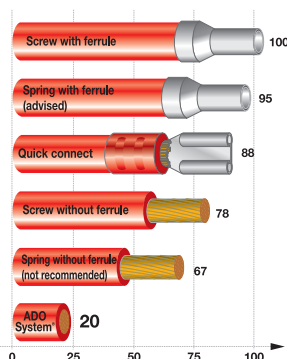


The tool cannot be removed from the terminal block until the operation has been completed correctly.

Unlike traditional insulation displacement systems, the ADO System® special tool provides total safety.

Rapidity

ADO System® offers high-speed wire connection (the fastest on the market). No preparation is required for conductors.



Terminal blocks Insulation displacement

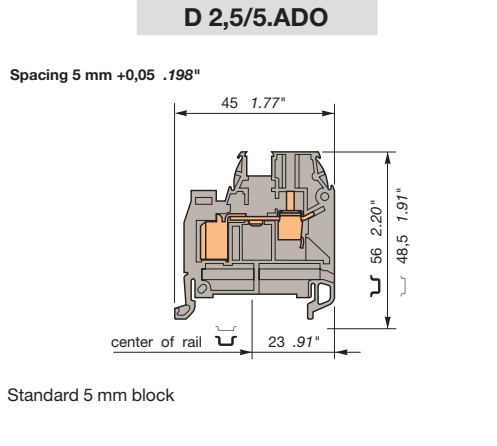
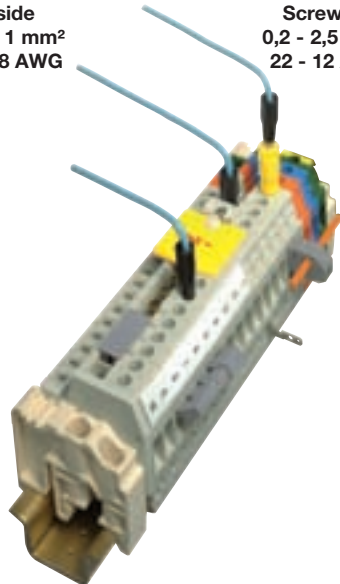


ADO - Screw clamp

↳ DIN3

ADO side
0,22 - 1 mm²
24 - 18 AWG

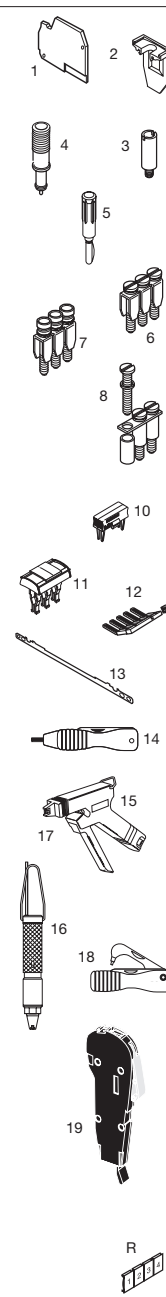
Screw side
0,2 - 2,5 mm²
22 - 12 AWG



Color	Type	Part number
<i>Standard block</i>		
Grey	D 2,5/5.ADO	1SNA 199 554 R2300
Orange	D 2,5/5.ADO	1SNA 199 555 R2400
Blue	D 2,5/5.N.ADO	1SNA 199 556 R2500
Black	D 2,5/5.ADO	1SNA 199 557 R2600
Red	D 2,5/5.ADO	1SNA 199 558 R0700
Ivory	D 2,5/5.ADO	1SNA 199 559 R0000
Yellow	D 2,5/5.ADO	1SNA 199 560 R0500
Green	D 2,5/5.ADO	1SNA 199 561 R2200



Accessories



- 1** End section
grey, blue, yellow
- 2** Circuit separator
grey
- 3** Test socket
- 4** Test device
- 5** Test plug
- 6** Assembled jumper bar (without IP20 protection)
- 7** Assembled jumper bar (with IP20 protection)
- 8** Jumper bar not assembled
Post + screw + washer
- 10** Jumper bar
- 11** Screwless jumper bar to be inserted into ADO jaw orange IP20
- 12** Comb-type jumper label
Isolating cover
- 13** Shield connector
- 14** Hand tool kit
- 15** Semi-automatic tool
- 16** Pneumatic tool kit
- 17** Replacement head kit
- 18** Extraction tool kit
- 19** Test connector

Type	Part number
FEDAD1 th. 3 mm	1SNA 199 336 R2000
FEDAD1 th. 3 mm	1SNA 199 338 R0200
FEDAD1 th. 3 mm	1SNA 199 339 R0300
SCAD5	1SNA 199 551 R2000
AL2 (1) DIA. 2 mm	1SNA 163 046 R2400
DCB blue	1SNA 105 028 R2100
FC2 DIA. 2 mm	1SNA 007 865 R2600
BJM5 (1) 24 A 2 poles	1SNA 176 273 R0100
BJM5 (1) 24 A 3 poles	1SNA 176 274 R0200
BJM5 (1) 24 A 4 poles	1SNA 176 275 R0300
BJM5 (1) 24 A 5 poles	1SNA 176 276 R0400
BJM5 (1) 24 A 10 poles	1SNA 176 277 R0500
BJMI5 (1) 24 A 2 poles	1SNA 176 278 R1600
BJMI5 (1) 24 A 3 poles	1SNA 176 279 R1700
BJMI5 (1) 24 A 4 poles	1SNA 176 280 R0500
BJMI5 (1) 24 A 5 poles	1SNA 176 281 R2200
BJMI5 (1) 24 A 10 poles	1SNA 176 282 R2300
BJS5 (1) 24 A 20 poles	1SNA 177 652 R0600
EV5	1SNA 168 629 R1600
BJB	1SNA 199 466 R2300
BJADO5.2 13,5 A 2 poles	1SNA 205 955 R0300
BJADO5.3 13,5 A 3 poles	1SNA 205 956 R0400
BJADO5.4 13,5 A 4 poles	1SNA 205 957 R0500
BJADO5.5 13,5 A 5 poles	1SNA 205 958 R1600
BJADO5.10 13,5 A 10 poles	1SNA 205 963 R0300
BJADO5.20 13,5 A 20 poles	1SNA 205 973 R0500
PC5 30 A 2 poles	1SNA 113 542 R1000
PC5 30 A 10 poles	1SNA 113 544 R1200
EIP	1SNA 113 550 R2400
CBM5 th. 0,5 mm	1SNA 178 745 R1400
CBM8 th. 0,8 mm	1SNA 178 746 R1500
OUMAD	1SNA 179 466 R0600
OUPAD	1SNA 178 944 R0400
OUTAD	1SNA 205 710 R1100
OUTA	1SNA 205 284 R0300
EXAD2	1SNA 205 721 R0000
CEADO.5	1SNA 399 345 R1100
CEADOE	1SNA 399 341 R1500
R See section on markers marking method	RC 55 RC 510 RTM7

refer to the section "Special Applications" for part numbers and characteristics.

End stop	th. 9 mm	BADL	V0	1SNA 399 903 R0200
End stop	th. 10 mm	BAM2	V2	1SNA 206 351 R1600
End stop	th. 10 mm	BAM2 V0	V0	1SNA 399 967 R0100
Rail	35 x 7,5 x 1	PR3.Z2		1SNA 174 300 R1700
Rail	35 x 15 x 2,3	PR4		1SNA 168 500 R1200
Rail	35 x 15 x 1,5	PR5		1SNA 168 700 R2200

Other end stops, rails and accessories : see section on accessories.

Characteristics

Wire size		IEC	UL/CSA
		NFC	DIN
Screw	Rigid	0,2-4 mm ² 22-12 AWG	
	Flexible	0,22-2,5 mm ² 22-12 AWG	
ADO	Rigid	0,2-1 mm ² 24-18 AWG	
	Flexible	0,22-1 mm ² 24-18 AWG	

Voltage	
Rated	1000 V 600 V
Impulse withstand	8 kV
Pollution degree	3

Current	
Rated	13,5 A 7 A

Wire size	
Rated	1 mm ² 18 AWG

Wire stripping length (screw)	Recommended (screw)	Recommended torque (screw)	Protection
9,5 mm .37"	3,5 mm .137"	0,4-0,6 Nm 3,5-5,3 lb.in	IP 20 NEMA 1

Notes

Standard block 5 mm spacing. For multiple wires connections, the 2 wires need to be of the same gage and nature (rigid or flexible). Terminal block body material is UL 94 V0.

Terminal blocks Insulation displacement

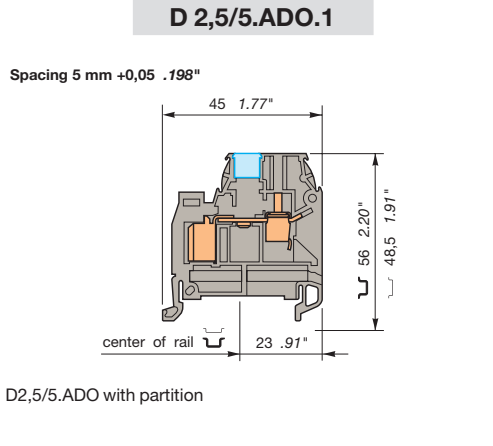
ADO - Screw clamp

↳ DIN3

ADO side
0.22 - 1 mm²
24 - 18 AWG



Screw side
0.2 - 2,5 mm²
22 - 12 AWG



Color	Type	Part number
Grey	<input type="checkbox"/> D 2,5/5.ADO.1	1SNA 199 562 R2300



End stop	th. 9 mm	BADL	V0	1SNA 399 903 R0200
End stop	th. 10 mm	BAM2	V2	1SNA 206 351 R1600
End stop	th. 10 mm	BAM2 V0	V0	1SNA 399 967 R0100
Rail	35 x 7,5 x 1	PR3.Z2		1SNA 174 300 R1700
Rail	35 x 15 x 2,3	PR4		1SNA 168 500 R1200
Rail	35 x 15 x 1,5	PR5		1SNA 168 700 R2200

Other end stops, rails and accessories : see section on accessories.

Characteristics

Wire size	IEC		UL/CSA
	NFC	DIN	
Screw	Rigid	0,2-4 mm ²	22-12 AWG
	Flexible	0,22-2,5mm ²	22-12 AWG
ADO	Rigid	0,2-1 mm ²	24-18 AWG
	Flexible	0,22-1 mm ²	24-18 AWG

Voltage		
Rated	1000 V	600 V
Impulse withstand	8 kV	
Pollution degree	3	

Current		
Rated	13,5 A	7 A

Wire size			
Rated	1 mm ²		18 AWG
Wire stripping length (screw)	Recommended (screw)	Recommended torque (screw)	Protection
9,5 mm .37"	3,5 mm .137"	0,4-0,6 Nm 3,5-5,3 lb.in	IP 20 NEMA 1

Notes

Standard block 5 mm spacing. For multiple wires connection, the 2 wires need to be of the same gage and nature (rigid or flexible). Terminal block body material is UL 94 V0.

Accessories

	1 End section	grey blue yellow
	2 Test socket	
	3 Test device	
	4 Test plug	
	5 Assembled jumper bar (without IP20 protection)	
	6 Assembled jumper bar (with IP20 protection)	
	7 Jumper bar not assembled Post + screw + washer	
	9 Jumper bar	
	10 Screwless jumper bar to be inserted into ADO jaw orange IP20	
	11 Comb-type jumper bar	
	12 Shield connector	
	13 Hand tool kit	
	14 Semi-automatic tool	
	15 Pneumatic tool kit	
	16 Replacement head kit	
	17 Extraction tool kit	
	18 Test connector	

Type	Part number
FEDAD1 th. 3 mm	1SNA 199 336 R2000
FEDAD1 th. 3 mm	1SNA 199 338 R0200
FEDAD1 th. 3 mm	1SNA 199 339 R0300
AL2 DIA. 2 mm	1SNA 163 046 R2400
DCB blue	1SNA 105 028 R2100
FC2 DIA. 2 mm	1SNA 007 865 R2600
BJM5 (2) 24 A 2 poles	1SNA 176 273 R0100
BJM5 (2) 24 A 3 poles	1SNA 176 274 R0200
BJM5 (2) 24 A 4 poles	1SNA 176 275 R0300
BJM5 (2) 24 A 5 poles	1SNA 176 276 R0400
BJM5 (2) 24 A 10 poles	1SNA 176 277 R0500
BJMI5 (2) 24 A 2 poles	1SNA 176 278 R1600
BJMI5 (2) 24 A 3 poles	1SNA 176 279 R1700
BJMI5 (2) 24 A 4 poles	1SNA 176 280 R0500
BJMI5 (2) 24 A 5 poles	1SNA 176 281 R2200
BJMI5 (2) 24 A 10 poles	1SNA 176 282 R2300
BJS5 (2) 24 A 20 poles	1SNA 177 652 R0600
EV5 (2)	1SNA 168 629 R1600
BJB	1SNA 199 466 R2300
BJADO5.2 13,5 A 2 poles	1SNA 205 955 R0300
BJADO5.3 13,5 A 3 poles	1SNA 205 956 R0400
BJADO5.4 13,5 A 4 poles	1SNA 205 957 R0500
BJADO5.5 13,5 A 5 poles	1SNA 205 958 R1600
BJADO5.10 13,5 A 10 poles	1SNA 205 963 R0300
BJADO5.20 13,5 A 20 poles	1SNA 205 973 R0500
PC5 30 A 2 poles	1SNA 113 542 R1000
PC5 30 A 10 poles	1SNA 113 544 R1200
EIP	1SNA 113 550 R2400
CBM5 th. 0,5 mm	1SNA 178 745 R1400
CBM8 th. 0,8 mm	1SNA 178 746 R1500
OUMAD	1SNA 179 466 R0600
OUPAD	1SNA 178 944 R0400
OUTAD	1SNA 205 710 R1100
QUTA	1SNA 205 284 R0300
EXAD2	1SNA 205 721 R0000
CEADO.5	1SNA 399 345 R1100
CEADOE	1SNA 399 341 R1500

R See section on markers marking method RC55 RC510 RTM7

(2) Use of these accessories requires the user to cut out the partition.

Terminal blocks Insulation Displacement

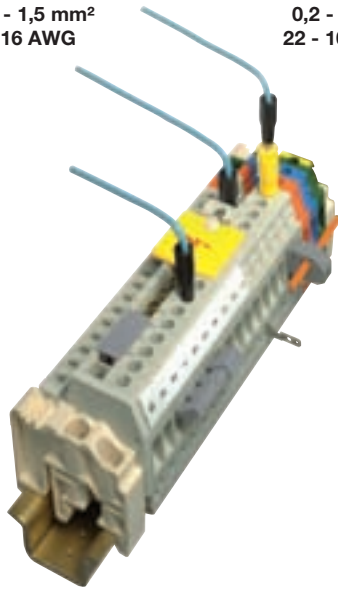


ADO - Screw clamp

DIN3

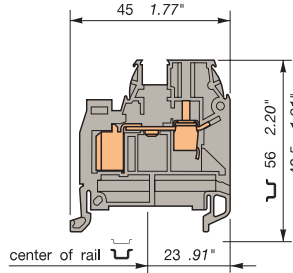
ADO side
0,34 - 1,5 mm²
22 - 16 AWG

Screw side
0,2 - 4 mm²
22 - 10 AWG



D 4/6... .ADO

Spacing 6 mm +0,05 .238"

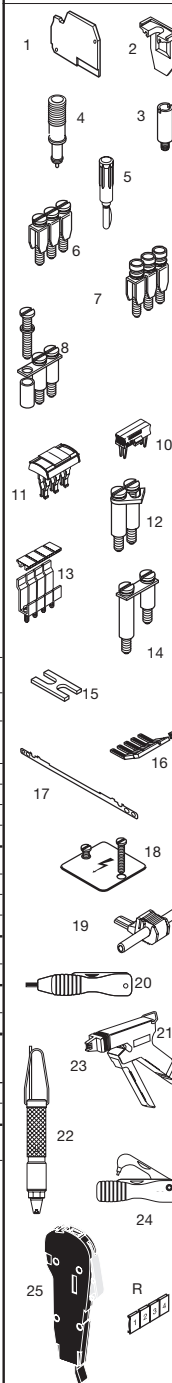


Standard 6 mm block



Colour	Type	Part numbers
<i>Standard blocks</i>		
Grey	D 4/6.ADO	1SNA 199 034 R1500
Orange	D 4/6.ADO	1SNA 199 035 R1600
Blue	D 4/6.N.ADO	1SNA 199 036 R1700
Black	D 4/6.ADO	1SNA 199 071 R2200
Red	D 4/6.ADO	1SNA 199 069 R0000
Ivory	D 4/6.ADO	1SNA 199 070 R0500
Yellow	D 4/6.ADO	1SNA 199 039 R2200
Green	D 4/6.ADO	1SNA 199 040 R0700

Accessories



- 1 End section
- 2 Separator
- 3 Test socket
- 4 Test device
- 5 Test plug
- 6 Assembled jumper bar (without IP20 protection)
- 7 Assembled jumper bar (with IP20 protection)
- 8 Jumper bar not assembled Post + screw + washer
- 10 Jumper bar
- 11 Screwless jumper bar to be inserted into ADO jaw orange IP20
- 12 Pivoting jumper bar
- 13 Jumper bar for alternated jumping
- 14 Universal jumper bar
- 15 Connector plate
- 16 Comb type jumper bar
- 17 Shield connector
- 18 Protection label
- 19 IDC jumper
- 20 Hand tool kit
- 21 Semi-automatic tool
- 22 Pneumatic tool kit
- 23 Replacement head kit
- 24 Extraction tool kit
- 25 Test connector

Type	Part numbers
FEDAD1 th. 3 mm	1SNA 199 336 R2000
FEDAD1 th. 3 mm	1SNA 199 338 R0200
FEDAD1 th. 3 mm	1SNA 199 339 R0300
SCAD	1SNA 196 896 R0000
AL2 (1) DIA. 2 mm	1SNA 163 043 R2100
AL3 (1) DIA. 3 mm	1SNA 163 261 R0000
DCJ yellow	1SNA 173 059 R0300
FC2 DIA. 2 mm	1SNA 007 865 R2600
FC4 DIA. 4 mm	1SNA 167 860 R0100
BJM6 32 A 2 poles	1SNA 168 516 R2500
BJM6 32 A 3 poles	1SNA 168 517 R2600
BJM6 32 A 4 poles	1SNA 168 518 R0700
BJM6 32 A 5 poles	1SNA 168 519 R0000
BJM6 32 A 10 poles	1SNA 168 973 R0700
BJMI6 32 A 2 poles	1SNA 176 663 R0000
BJMI6 32 A 3 poles	1SNA 176 664 R0100
BJMI6 32 A 4 poles	1SNA 176 665 R0200
BJMI6 32 A 5 poles	1SNA 176 666 R0300
BJMI6 32 A 10 poles	1SNA 176 667 R0400
BJS6 32 A 20 poles	1SNA 174 784 R2000
EV6	1SNA 168 604 R1600
BJB	1SNA 199 466 R2300
BJADO6.2 17,5 A 2 poles	1SNA 205 974 R0600
BJADO6.3 17,5 A 3 poles	1SNA 205 975 R0700
BJADO6.4 17,5 A 4 poles	1SNA 205 976 R0000
BJADO6.5 17,5 A 5 poles	1SNA 205 977 R0100
BJADO6.10 17,5 A 10 poles	1SNA 205 982 R2700
BJADO6.20 17,5 A 20 poles	1SNA 205 992 R2100
BJP6 35 A	1SNA 174 413 R1400
BJA6 32 A 10 poles	1SNA 116 541 R1200
BJDP1 (2) 50 A spa.6 <-> spa.16	1SNA 179 623 R0300
BJDP3 (2) 70 A spa.6 <-> spa.12	1SNA 179 625 R0500
BJDP4 (2) 50 A spa.6 <-> spa.8 or 10	1SNA 174 781 R2500
EL6 35 A	1SNA 173 627 R2100
PC6 35 A 2 poles	1SNA 113 546 R1400
PC6 35 A 3 poles	1SNA 116 536 R0500
PC6 35 A 4 poles	1SNA 116 537 R0600
PC6 35 A 10 poles	1SNA 113 548 R2600
EIP	1SNA 113 550 R2400
CBM5 th. 0,5 mm	1SNA 178 745 R1400
CBM8 th. 0,8 mm	1SNA 178 746 R1500
EP6 4 blocks	1SNA 163 427 R1700
VSP6	1SNA 163 433 R1500
AD2,5 24 A	1SNA 114 205 R2000
OUMAD	1SNA 179 466 R0600
OUPAD	1SNA 178 944 R0400
OUTAD	1SNA 205 710 R1100
OUTA	1SNA 205 284 R0300
EXAD2	1SNA 205 721 R0000
CEADO.6	1SNA 399 346 R1200
CEADOE	1SNA 399 341 R1500

refer to the section "Special Applications" for part numbers and characteristics.

End stop	th. 9 mm	BADL	V0	1SNA 399 903 R0200
End stop	th. 10 mm	BAM2	V2	1SNA 206 351 R1600
End stop	th. 10 mm	BAM2 V0	V0	1SNA 399 967 R0100
Rail	35 x 7,5 x 1	PR3.Z2		1SNA 174 300 R1700
Rail	35 x 15 x 2,3	PR4		1SNA 168 500 R1200
Rail	35 x 15 x 1,5	PR5		1SNA 168 700 R2200

Other end stops, rails and accessories : see section on accessories.

Characteristics

Wire size

		IEC		UL	CSA
		NFC	DIN		
Screw	Rigid	0,2-4 mm ²		22-10 AWG	22-10 AWG
	Flexible	0,22-4 mm ²		22-10 AWG	22-10 AWG
ADO	Rigid	0,34-1,5 mm ²		22-16 AWG	22-16 AWG
	Flexible	0,34-1,5 mm ²		22-16 AWG	22-16 AWG

Voltage

Rated	1000 V	600 V	600 V
Impulse withstand	8 kV		
Pollution degree	3		

Current

Rated	17,5 A	18 A	18 A
-------	--------	------	------

Wire size

Rated	1,5 mm ²	10/16 AWG	10/16 AWG
Wire stripping length (screw)	Recommended screwdriver	Recommended torque (screw)	Protection
9,5 mm	4 mm	0,5-0,8 Nm	IP 20
.37"	.16"	4.4-7.1 lb.in	NEMA 1

Notes

Standard block 6 mm. For multiple wire connections, the two wires need to be of the same gage and nature (rigid or flexible). Terminal block body material is UL 94 V0.

R See section on markers

marking method

RC65 RC610 RTM7

- (1) A circuit separator SCAD and 500 V (IEC) rated voltage are required with these accessories.
- (2) See column on right page : "Various applications".

D 4/6.ADO.T2	D 4/6.ADO.1	D 4/6.ADO.2	D 4/6.ADO.4	D 4/6.ADO.C	
Spacing 6 mm +0,05 .238"	Spacing 6 mm +0,05 .238"	Spacing 6 mm +0,05 .238"	Spacing 6 mm +0,05 .238"	Spacing 6 mm +0,05 .238"	
Grey □ 1SNA 199 078 R0100	Grey □ 1SNA 199 038 R2100	Grey □ 1SNA 199 064 R2300	Grey □ 1SNA 199 048 R0300	Grey □ 1SNA 199 074 R2500	
D 4/6.ADO equipped with DIA. 2 mm test socket for test side screw.	D 4/6.ADO with partition	D 4/6.ADO.1 equipped with DIA. 2 mm test socket for test	D 4/6.ADO.1 equipped with DIA. 4 mm test socket for test	D 4/6.ADO.1 equipped with DIA. 2,5 mm flexible test socket for connector - (2)	
RC65 RC610 RTM7	RC65 RC610 RTM7	RC65 RC610 RTM7	RC65 RC610 RTM7	RC65 RC610 RTM7	
Part numbers	Part numbers	Part numbers	Part numbers	Part numbers	Various applications
1SNA 199 336 R2000 1SNA 199 338 R0200 1SNA 199 339 R0300 1SNA 196 896 R0000 (1) 1SNA 163 043 R2100 (1) 1SNA 163 261 R0000 1SNA 173 059 R0300 1SNA 007 865 R2600 1SNA 168 516 R2500 1SNA 168 517 R2600 1SNA 168 518 R0700 1SNA 168 519 R0000 1SNA 168 973 R0700 1SNA 176 663 R0000 1SNA 176 664 R0100 1SNA 176 665 R0200 1SNA 176 666 R0300 1SNA 176 667 R0400 1SNA 174 784 R2000 1SNA 168 604 R1600	1SNA 199 336 R2000 1SNA 199 338 R0200 1SNA 199 339 R0300 1SNA 163 043 R2100 1SNA 163 261 R0000 1SNA 173 059 R0300 1SNA 007 865 R2600 (3) 1SNA 168 516 R2500 (3) 1SNA 168 517 R2600 (3) 1SNA 168 518 R0700 (3) 1SNA 168 519 R0000 (3) 1SNA 168 973 R0700 (3) 1SNA 176 663 R0000 (3) 1SNA 176 664 R0100 (3) 1SNA 176 665 R0200 (3) 1SNA 176 666 R0300 (3) 1SNA 176 667 R0400 (3) 1SNA 174 784 R2000 (3) 1SNA 168 604 R1600	1SNA 199 336 R2000 1SNA 199 338 R0200 1SNA 199 339 R0300 1SNA 173 059 R0300 1SNA 007 865 R2600	1SNA 199 336 R2000 1SNA 199 338 R0200 1SNA 199 339 R0300 1SNA 173 059 R0300 1SNA 007 865 R2600 1SNA 167 860 R0100	1SNA 199 336 R2000 1SNA 199 338 R0200 1SNA 199 339 R0300 1SNA 173 059 R0300 1SNA 007 865 R2600	
1SNA 199 466 R2300 1SNA 205 974 R0600 1SNA 205 975 R0700 1SNA 205 976 R0000 1SNA 205 977 R0100 1SNA 205 982 R2700 1SNA 205 992 R2100 1SNA 174 413 R1400 1SNA 116 541 R1200 (2) 1SNA 179 623 R0300 (2) 1SNA 179 625 R0500 (2) 1SNA 174 781 R2500 1SNA 173 627 R2100 1SNA 113 546 R1400 1SNA 116 536 R0500 1SNA 116 537 R0600 1SNA 113 548 R2600 1SNA 113 550 R2400 1SNA 178 745 R1400 1SNA 178 746 R1500 1SNA 163 427 R1700 1SNA 163 433 R1500 1SNA 114 205 R2000 1SNA 179 466 R0600 1SNA 178 944 R0400 1SNA 205 710 R1100 1SNA 205 284 R0300 1SNA 205 721 R0000 1SNA 399 346 R1200 1SNA 399 341 R1500	1SNA 199 466 R2300 1SNA 205 974 R0600 1SNA 205 975 R0700 1SNA 205 976 R0000 1SNA 205 977 R0100 1SNA 205 982 R2700 1SNA 205 992 R2100 (3) 1SNA 174 413 R1400 (3) 1SNA 116 541 R1200 (2)(3) 1SNA 179 623 R0300 (2)(3) 1SNA 179 625 R0500 (2)(3) 1SNA 174 781 R2500 (3) 1SNA 173 627 R2100 1SNA 113 546 R1400 1SNA 116 536 R0500 1SNA 116 537 R0600 1SNA 113 548 R2600 1SNA 113 550 R2400 1SNA 178 745 R1400 1SNA 178 746 R1500 1SNA 163 427 R1700 1SNA 163 433 R1500 1SNA 114 205 R2000 1SNA 179 466 R0600 1SNA 178 944 R0400 1SNA 205 710 R1100 1SNA 205 284 R0300 1SNA 205 721 R0000 1SNA 399 346 R1200 1SNA 399 341 R1500	Rated voltage: 800 V (IEC)	Rated voltage: 800 V (IEC)		D 4/6.ADO.C terminal blocks equipped with DIA. 2,5 mm test socket receive a connector. See main catalog connection (section E). BJDP1 is used for the interconnection with terminal block series "M": spacing 16 mm. BJDP3 is used for the interconnection with terminal block series "M": spacing 12 mm. BJDP4 is used for the interconnection with terminal block series "D": spacing 8 mm. or terminal block series "M": spacing 8 or 10 mm.
RC65 RC610 RTM7	RC65 RC610 RTM7	RC65 RC610 RTM7	RC65 RC610 RTM7	RC65 RC610 RTM7	

(1) A circuit separator SCAD and 500 V (IEC) rated voltage are required with these accessories.
 (2) See column on right: "Various applications".
 (3) Use of these accessories requires the user to cut out the partition.



Terminal blocks Insulation Displacement

ADO - Screw clamp

DIN 3

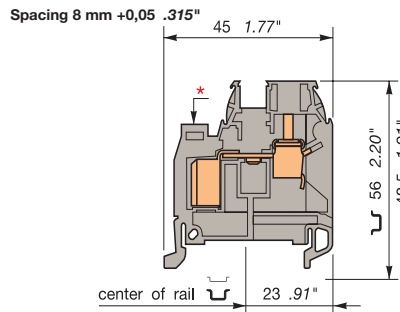
ADO side
1 - 2,5 mm²
16 - 14 AWG



Screw side
0,2 - 6 mm²
22 - 8 AWG



D 6/8... ADO

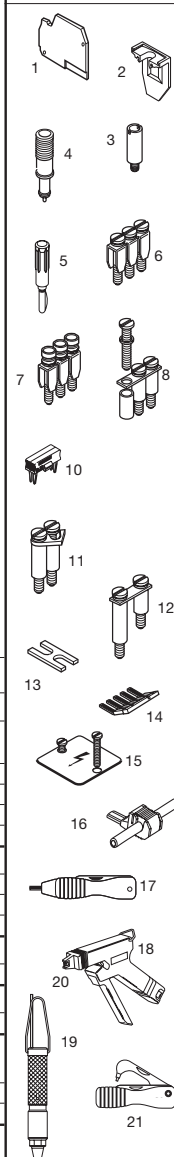


Standard 8 mm block



Colour	Type	Part numbers
<i>Standard blocks</i>		
Grey	D 6/8.ADO	1SNA 199 042 R2500
Orange	D 6/8.ADO	1SNA 199 043 R2600
Blue	D 6/8.N.ADO	1SNA 199 044 R2700
Black	D 6/8.ADO	1SNA 199 077 R2000
Red	D 6/8.ADO	1SNA 199 075 R2600
Ivory	D 6/8.ADO	1SNA 199 076 R2700
Yellow	D 6/8.ADO	1SNA 199 072 R2300
Green	D 6/8.ADO	1SNA 199 073 R2400

Accessories



Type	Part numbers
1 End section	grey FEDAD1 th. 3 mm 1SNA 199 336 R2000 blue FEDAD1 th. 3 mm 1SNA 199 338 R0200 yellow FEDAD1 th. 3 mm 1SNA 199 339 R0300 grey SCAD 1SNA 196 896 R0000
2 Separator	
3 Test socket	AL2 (1) DIA. 2 mm 1SNA 163 043 R2100 AL3 (1) DIA. 3 mm 1SNA 163 261 R0000 AL4 (1) DIA. 4 mm 1SNA 163 240 R1700
4 Test device	DCO orange 1SNA 173 060 R0000
5 Test plug	FC2 DIA. 2 mm 1SNA 007 865 R2600 FC4 DIA. 4 mm 1SNA 167 860 R0100
6 Assembled jumper bar (without IP20 protection)	BJM8 41 A 2 poles 1SNA 168 520 R0500 BJM8 41 A 3 poles 1SNA 168 521 R2200 BJM8 41 A 4 poles 1SNA 168 522 R2300 BJM8 41 A 5 poles 1SNA 168 523 R2400 BJM8 41 A 10 poles 1SNA 168 974 R0000
7 Assembled jumper bar (with IP20 protection)	BJMI8 41 A 2 poles 1SNA 176 669 R1600 BJMI8 41 A 3 poles 1SNA 176 670 R1300 BJMI8 41 A 4 poles 1SNA 176 671 R0000 BJMI8 41 A 5 poles 1SNA 176 672 R0100 BJMI8 41 A 10 poles 1SNA 176 673 R0200
8 Jumper bar not assembled Post + screw + washer	BJS8 41 A 20 poles 1SNA 174 789 R0500 EV6 1SNA 168 604 R1600
10 Jumper bar	BJB 1SNA 199 466 R2300
11 Pivoting jumper bar	BJP8 50 A 1SNA 174 448 R0700
12 Universal jumper bar	BJDP1 (2) 50 A spa. 8 <-> spa.16 1SNA 179 623 R0300 BJDP3 (2) 70 A spa. 8 <-> spa.12 1SNA 179 625 R0500 BJDP5 (2) 50 A spa. 8 <-> spa.10 1SNA 174 782 R2600
13 Connector plate	EL6 35 A 1SNA 173 627 R2100
14 Comb type jumper bar	PC8 50 A 2 poles 1SNA 116 538 R1700 PC8 50 A 3 poles 1SNA 116 539 R1000 PC8 50 A 4 poles 1SNA 116 540 R2500 PC8 50 A 10 poles 1SNA 163 313 R2400
15 Protection label	EP6 3 blocks 1SNA 163 427 R1700 EP8 4 blocks 1SNA 163 428 R2000 VSP6 1SNA 163 433 R1500
16 IDC jumper	AD2,5 24 A 1SNA 114 205 R2000
17 Hand tool kit	OUMAD 1SNA 179 466 R0600
18 Semi-automatic tool	OUPAD 1SNA 178 944 R0400
19 Pneumatic tool kit	OUTAD 1SNA 205 710 R1100
20 Replacement head kit	OUTA 1SNA 205 284 R0300
21 Extraction tool kit	EXAD2 1SNA 205 721 R0000

End stop	th. 9 mm	BADL	V0	1SNA 399 903 R0200
End stop	th. 10 mm	BAM2	V2	1SNA 206 351 R1600
End stop	th. 10 mm	BAM2 V0	V0	1SNA 399 967 R0100
Rail	35 x 7,5 x 1	PR3.Z2		1SNA 174 300 R1700
Rail	35 x 15 x 2,3	PR4		1SNA 168 500 R1200
Rail	35 x 15 x 1,5	PR5		1SNA 168 700 R2200

Other end stops, rails and accessories : see section on accessories.

Characteristics

Wire size		IEC	UL	CSA
		NFC DIN		
Screw	Rigid	0,2-10 mm ²	22-8 AWG	22-8 AWG
	Flexible	0,22-6 mm ²	22-8 AWG	22-8 AWG
ADO	Rigid	1-2,5 mm ²	16-14 AWG	16-14 AWG
	Flexible	1-2,5 mm ²	16-14 AWG	16-14 AWG

Voltage			
Rated	1000 V	600 V	600 V
Impulse withstand	8 kV		
Pollution degree	3		

Current			
Rated	24 A	25 A	25 A

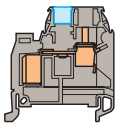
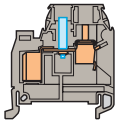
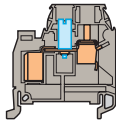
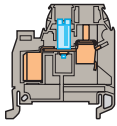








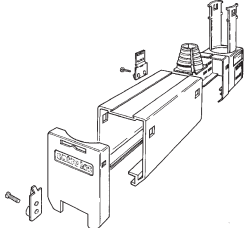
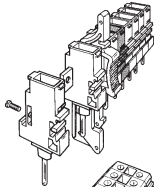
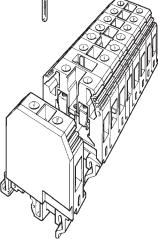
Wire size			
Rated	2,5 mm ²	8/14 AWG	8/14 AWG
Wire stripping length (screw)	Recommended screwdriver	Recommended torque (screw)	Protection
12 mm	4 mm - 5 mm	0,8-1 Nm	IP 20
.47"	.16" - .2"	7.1-8.9 lb.in	NEMA 1

Notes

Standard block 8 mm. For multiple wire connections, the two wires need to be of the same gage and nature (rigid or flexible). Terminal block body material is UL 94 V0.

* Black marking for wire size 1 - 2,5 mm² (16 - 14 AWG)

R See section on markers marking method RTM7 RC810 RCAL85
(1) A separator SC and 500 V (IEC) rated voltage are required with these accessories
(2) See column : "Various applications"

	D 6/8.ADO.1	D 6/8.ADO.2	D 6/8.ADO.4	D 6/8.ADO.C	
	Spacing 8 mm +0,05 .315"	Spacing 8 mm +0,05 .315"	Spacing 8 mm +0,05 .315"	Spacing 8 mm +0,05 .315"	
					
	Grey □ 1SNA 199 046 R2100	Grey □ 1SNA 199 155 R2300	Grey □ 1SNA 199 157 R2500	Grey □ 1SNA 199 156 R2400	
	<i>D 6/8.ADO with partition</i>	<i>D 6/8.ADO.1 equipped with DIA. 2 mm test socket for test</i>	<i>D 6/8.ADO.1 equipped with DIA. 4 mm test socket for test</i>	<i>D 6/8.ADO.1 equipped with DIA. 2,5 mm flexible test socket for connector - (2)</i>	
	 	 	 	 	
Part numbers	Part numbers	Part numbers	Part numbers	Part numbers	Various applications
	1SNA 199 336 R2000 1SNA 199 338 R0200 1SNA 199 339 R0300	1SNA 199 336 R2000 1SNA 199 338 R0200 1SNA 199 339 R0300	1SNA 199 336 R2000 1SNA 199 338 R0200 1SNA 199 339 R0300	1SNA 199 336 R2000 1SNA 199 338 R0200 1SNA 199 339 R0300	   <p>D 4/6.ADO.C terminal blocks equipped with DIA. 2,5 mm test socket receive a connector. See main catalog connection (section E).</p> <p>Universal jumper bar</p> <p>BJDP1 is used for the interconnection with terminal block series "M": spacing 16 mm.</p> <p>BJDP3 is used for the interconnection with terminal block series "M": spacing 12 mm.</p> <p>BJDP5 is used for the interconnection with terminal block series "M": spacing 10 mm.</p>
	1SNA 163 043 R2100 1SNA 163 261 R0000 1SNA 163 240 R1700 1SNA 173 060 R0000 1SNA 007 865 R2600 1SNA 167 860 R0100	1SNA 173 060 R0000 1SNA 007 865 R2600	1SNA 173 060 R0000 1SNA 007 865 R2600 1SNA 167 860 R0100	1SNA 173 060 R0000 1SNA 007 865 R2600	
	(3) 1SNA 168 520 R0500 (3) 1SNA 168 521 R2200 (3) 1SNA 168 522 R2300 (3) 1SNA 168 523 R2400 (3) 1SNA 168 974 R0000				
	(3) 1SNA 176 669 R1600 (3) 1SNA 176 670 R1300 (3) 1SNA 176 671 R0000 (3) 1SNA 176 672 R0100 (3) 1SNA 176 673 R0200				
	1SNA 174 789 R0500 (3) 1SNA 168 604 R1600				
	1SNA 199 466 R2300 (3) 1SNA 174 448 R0700 (2)(3) 1SNA 179 623 R0300 (2)(3) 1SNA 179 625 R0500 (2)(3) 1SNA 174 782 R2600 (3) 1SNA 173 627 R2100				
	1SNA 116 538 R1700 1SNA 116 539 R1000 1SNA 116 540 R2500 1SNA 163 313 R2400	1SNA 116 538 R1700 1SNA 116 539 R1000 1SNA 116 540 R2500 1SNA 163 313 R2400	1SNA 116 538 R1700 1SNA 116 539 R1000 1SNA 116 540 R2500 1SNA 163 313 R2400	1SNA 116 538 R1700 1SNA 116 539 R1000 1SNA 116 540 R2500 1SNA 163 313 R2400	
	1SNA 163 427 R1700 1SNA 163 428 R2000 1SNA 163 433 R1500				
	1SNA 114 205 R2000 1SNA 179 466 R0600 1SNA 178 944 R0400 1SNA 205 710 R1100 1SNA 205 284 R0300 1SNA 205 721 R0000 1SNA 399 348 R2400 1SNA 399 341 R1500	1SNA 114 205 R2000 1SNA 179 466 R0600 1SNA 178 944 R0400 1SNA 205 710 R1100 1SNA 205 284 R0300 1SNA 205 721 R0000 1SNA 399 348 R2400 1SNA 399 341 R1500	1SNA 114 205 R2000 1SNA 179 466 R0600 1SNA 178 944 R0400 1SNA 205 710 R1100 1SNA 205 284 R0300 1SNA 205 721 R0000 1SNA 399 348 R2400 1SNA 399 341 R1500	1SNA 114 205 R2000 1SNA 179 466 R0600 1SNA 178 944 R0400 1SNA 205 710 R1100 1SNA 205 284 R0300 1SNA 205 721 R0000 1SNA 399 348 R2400 1SNA 399 341 R1500	
	RTM7 RC810 RCAL85	RTM7 RC810 RCAL85	RTM7 RC810 RCAL85	RTM7 RC810 RCAL85	

(2) See column : "Various applications".
(3) Use of these accessories requires the user to cut out the partition.



Terminal blocks Insulation Displacement

ADO - Screw clamp

DIN 3

ADO side
4 mm²
12 AWG

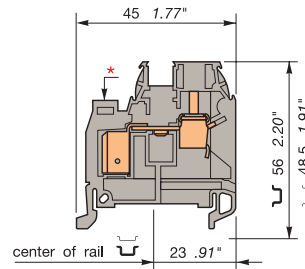


Screw side
0,2 - 6 mm²
22 - 8 AWG



D 6/8.ADO3

Spacing 8 mm +0,05 .315"

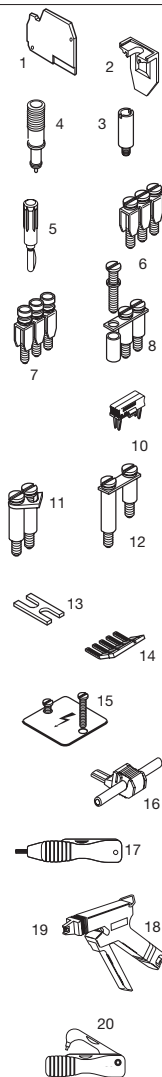


Standard 8 mm block

Colour	Type	Part numbers
<i>Standard block</i>		
Grey	<input type="checkbox"/> D 6/8.ADO3	1SNA 399 245 R1500
Bue	<input type="checkbox"/> D 6/8.N.ADO3	1SNA 399 319 R1700
Orange	<input type="checkbox"/> D 6/8.ADO3	1SNA 399 800 R1700



Accessories



- 1 End section grey/blue
- 2 Separator grey
- 3 Test socket
- 4 Test device
- 5 Test plug
- 6 Assembled jumper bar (without IP20 protection)
- 7 Assembled jumper bar (with IP20 protection)
- 8 Jumper bar not assembled Post + screw + washer
- 10 Jumper bar
- 11 Pivoting jumper bar
- 12 Universal jumper bar
- 13 Connector plate
- 14 Comb type jumper bar
- 15 Protection label
- 16 IDC jumper
- 17 Hand tool kit
- 18 Semi-automatic tool
- 19 Replacement head kit
- 20 Extraction tool kit

Type	Part number
FEDAD1 th. 3 mm	1SNA 199 336 R2000
FEDAD1 th. 3 mm	1SNA 199 338 R0200
SCAD	1SNA 196 896 R0000
AL2 (1) DIA. 2 mm	1SNA 163 043 R2100
AL3 (1) DIA. 3 mm	1SNA 163 261 R0000
AL4 (1) DIA. 4 mm	1SNA 163 240 R1700
DCO Orange	1SNA 173 060 R0000
FC2 (3) DIA. 2 mm	1SNA 007 865 R2600
FC4 (3) DIA. 4 mm	1SNA 167 860 R0100
BJM8 (1) 41 A 2 poles	1SNA 168 520 R0500
BJM8 (1) 41 A 3 poles	1SNA 168 521 R2200
BJM8 (1) 41 A 4 poles	1SNA 168 522 R2300
BJM8 (1) 41 A 5 poles	1SNA 168 523 R2400
BJM8 (1) 41 A 10 poles	1SNA 168 974 R0000
BJM8 (1) 41 A 2 poles	1SNA 176 669 R1600
BJM8 (1) 41 A 3 poles	1SNA 176 670 R1300
BJM8 (1) 41 A 4 poles	1SNA 176 671 R0000
BJM8 (1) 41 A 5 poles	1SNA 176 672 R0100
BJM8 (1) 41 A 10 poles	1SNA 176 673 R0200
BJS8 41 A 20 poles	1SNA 174 789 R0500
EV6	1SNA 168 604 R1600
BJB	1SNA 199 466 R2300
BJP8 (1)(4) 50 A	1SNA 174 448 R0700
BJDP1 (1)(2) 50 A spa.8 <-> spa.16	1SNA 179 623 R0300
BJDP3 (1)(2) 70 A spa.8 <-> spa.12	1SNA 179 625 R0500
BJDP5 (1)(2) 50 A spa.8 <-> spa.10	1SNA 174 782 R2600
EL6 (4) 35 A	1SNA 173 627 R2100
PC8 50 A 2 poles	1SNA 116 538 R1700
PC8 50 A 3 poles	1SNA 116 539 R1000
PC8 50 A 4 poles	1SNA 116 540 R2500
PC8 50 A 10 poles	1SNA 163 313 R2400
EP6 3 blocks	1SNA 163 427 R1700
EP8 4 blocks	1SNA 163 428 R2000
VSP6	1SNA 163 433 R1500
AD2,5 24 A	1SNA 114 205 R2000
OUMAD	1SNA 179 466 R0600
OUPAD	1SNA 178 944 R0400
OUTA	1SNA 205 284 R0300
EXAD2	1SNA 205 721 R0000

refer to the section "Special Applications" for part numbers and characteristics.

End stop	th. 9 mm	BADL	V0	1SNA 399 903 R0200
End stop	th. 10 mm	BAM2	V2	1SNA 206 351 R1600
End stop	th. 10 mm	BAM2 V0	V0	1SNA 399 967 R0100
Rail	35 x 7,5 x 1	PR3.Z2		1SNA 174 300 R1700
Rail	35 x 15 x 2,3	PR4		1SNA 168 500 R1200
Rail	35 x 15 x 1,5	PR5		1SNA 168 700 R2200

Other end stops, rails and accessories : see section on accessories.

Characteristics

Wire size

		IEC		UL/CSA
		NFC	DIN	
Screw	Rigid	0,2-10 mm ²		22-8 AWG
	Flexible	0,22-6 mm ²		22-8 AWG
ADO	Rigid	4 mm ²		12 AWG
	Flexible	4 mm ²		12 AWG

Voltage

Rated	1000 V	600 V
Impulse withstand	8 kV	
Pollution degree	3	

Current

Rated	32 A	25 A
-------	------	------

Wire size

Rated	4 mm ²	8/12 AWG
-------	-------------------	----------

Wire stripping length (screw)	Recommended screwdriver	Recommended torque (screw)	Protection
12 mm	4 mm - 5 mm	0,8-1 Nm	IP 20
.47"	.16" - .2"	7.1-8.9 lb.in	NEMA 1

Notes

Standard 8 mm block for connection of only one rigid or flexible 4 mm² wire.

* White marking for wire size 4 mm² (12 AWG)



R See section on markers marking method

RTM7 RC 810 RCAL85

(1) A circuit separator **SC** is required and 500 V (IEC) rated voltage with these accessories.
(3) Forbidden under explosive atmosphere EEX usage. (4) Only certified for "i" security.

Terminal block Insulation Displacement



Double deck
ADO - Screw clamp

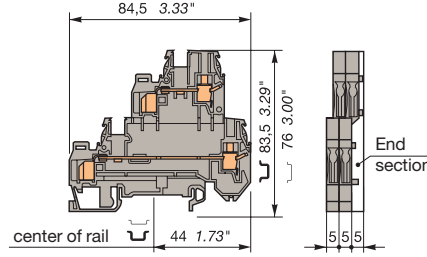
DIN 3

ADO side
0,22 - 1 mm²
24 - 18 AWG

Screw side
0,22 - 2,5 mm²
24 - 12 AWG

D 2,5/5.D2.ADO

Spacing 5 mm + 0,05 (.200")



Standard 5 mm block

Colour	Type	Part numbers
Grey	<input type="checkbox"/> D 2,5/5.D2.ADO	1SNA 399 898 R0500
Blue	<input type="checkbox"/> D 2,5/5.D2.N.ADO	1SNA 399 899 R0600



Accessories

	Type	Part numbers
1 End section	grey FED2AD1 V0 th. 5 mm	1SNA 199 417 R1200
2 Separator	grey SCAD5	1SNA 199 551 R2000
3 Test socket	AL2 (1) DIA. 2 mm	1SNA 163 046 R2400
4 Test plug	FC2 DIA. 2 mm	1SNA 007 865 R2600
5 Test device	DCV	1SNA 173 058 R0200
6 Assembled jumper bar (without IP20 protection)	BJM5 (1) 24 A 2 poles	1SNA 176 273 R0100
	BJM5 (1) 24 A 3 poles	1SNA 176 274 R0200
	BJM5 (1) 24 A 4 poles	1SNA 176 275 R0300
	BJM5 (1) 24 A 5 poles	1SNA 176 276 R0400
	BJM5 (1) 24 A 10 poles	1SNA 176 277 R0500
7 Assembled jumper bar (with IP20 protection)	BJMI5 (1) 24 A 2 poles	1SNA 176 278 R1600
	BJMI5 (1) 24 A 3 poles	1SNA 176 279 R1700
	BJMI5 (1) 24 A 4 poles	1SNA 176 280 R0500
	BJMI5 (1) 24 A 5 poles	1SNA 176 281 R2200
	BJMI5 (1) 24 A 10 poles	1SNA 176 282 R2300
8 Jumper bar not assembled Post + screw + washer	BJS5 (1) 24 A 20 poles	1SNA 177 652 R0600
9 Jumper bar for alternated jumping	BJA5 24 A 10 poles	1SNA 168 629 R1600
11 Jumper bar	BJB	1SNA 199 466 R2300
12 Screwless jumper bar to be inserted into ADO jaw orange IP20	BJADO5.2 17,5 A 2 poles	1SNA 205 955 R0300
	BJADO5.3 17,5 A 3 poles	1SNA 205 956 R0400
	BJADO5.4 17,5 A 4 poles	1SNA 205 957 R0500
	BJADO5.5 17,5 A 5 poles	1SNA 205 958 R1600
	BJADO5.10 17,5 A 10 poles	1SNA 205 963 R0300
	BJADO5.20 17,5 A 20 poles	1SNA 205 973 R0500
13 Connector plate	EL6 35 A	1SNA 173 627 R2100
14 Comb type jumper bar	PC5 30 A 2 poles	1SNA 113 542 R1000
	PC5 30 A 10 poles	1SNA 113 544 R1200
15 Insulating tip	EIP	1SNA 113 550 R2400
16 Shield connector	CBD2S	1SNA 178 408 R1400
17 Hand tool kit	OUMAD	1SNA 179 466 R0600
18 Semi-automatic tool	OUPAD	1SNA 178 944 R0400
19 Pneumatic tool kit	OUTAD	1SNA 205 710 R1100
20 Replacement head kit	OUTA	1SNA 205 284 R0300
21 Extraction tool kit	EXAD2	1SNA 205 721 R0000
	CEADO.5	1SNA 399 345 R1100
	CEADOE	1SNA 399 341 R1500
R See section on markers marking method	RC55 RC510 RTM7	

End stop	th. 12 mm	BADH	V2	1SNA 116 900 R2700
End stop	th. 9,1 mm	BAMH	V2	1SNA 114 836 R0000
End stop	th. 9,1 mm	BAMH V0	V0	1SNA 194 836 R0100
Rail	35 x 7,5 x 1	PR3.Z2		1SNA 174 300 R1700
Rail	35 x 15 x 2,3	PR4		1SNA 168 500 R1200
Rail	35 x 15 x 1,5	PR5		1SNA 168 700 R2200

Other end stops, rails and accessories : see section on accessories.

Characteristics

Wire size

		IEC	UL	CSA
		NFC DIN		
Screw	Rigid	0,2-4 mm ²	24-12 AWG	24-12 AWG
	Flexible	0,22-2,5 mm ²	24-12 AWG	24-12 AWG
ADO	Rigid	0,2-1 mm ²	24-18 AWG	24-18 AWG
	Flexible	0,22-1 mm ²	24-18 AWG	24-18 AWG

Voltage

Rated	630 V		
Impulse withstand	8 kV		
Pollution degree	3		

Current

Rated	13,5 A		
-------	--------	--	--

Wire size

Rated	1 mm ²	12/18 AWG	12/18 AWG
Wire stripping length (screw)	Recommended screwdriver	Recommended torque (screw)	Protection
10 mm	3.5 mm	0,4-0,6 Nm	IP 20
.394"	.138"	3.5-5.3 lb.in.	NEMA 1

Notes

Standard block 5 mm. For multiple wires connections, the two wires need to be of the same gage and nature (rigid or flexible). Terminal block body material is UL 94 V0.

The use of some accessories may decrease the block's voltage rating. For more information, consult us.

Terminal block Insulation Displacement

Double deck
ADO - Screw clamp
DIN 3

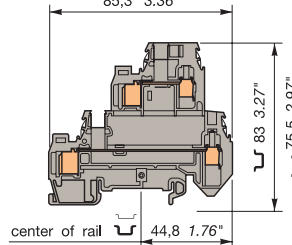
ADO side
0,34 - 1,5 mm²
22 - 16 AWG



Screw side
0,2 - 4 mm²
22 - 10 AWG

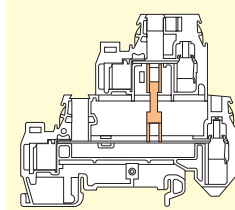
D 4/6.D2.ADO

Spacing 6 mm + 0,05 (.238")



Standard 6 mm block

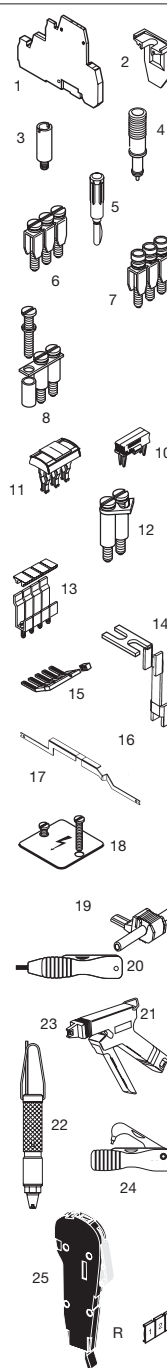
Colour	Type	Part numbers
<i>Standard block</i>		
Grey	D 4/6.D2.ADO	1SNA 199 242 R0200
Orange	D 4/6.D2.ADO	1SNA 199 243 R0300
Blue	D 4/6.D2.N.ADO	1SNA 199 244 R0400
Green	D 4/6.D2.ADO	1SNA 199 262 R0600



Vertical jumper bar assembly
(ITVE marker 16)



Accessories



Accessories		Type	Part numbers
1	End section	grey	FED2AD1 V0 th. 5 mm 1SNA 199 417 R1200
2	Separator	grey	SCAD 1SNA 196 896 R0000
3	Test socket		AL2 (1) DIA. 2 mm 1SNA 163 043 R2100
			AL3 (1) DIA. 3 mm 1SNA 163 261 R0000
4	Test device		DCJ yellow 1SNA 173 059 R0300
5	Test plug		FC2 DIA. 2 mm 1SNA 007 865 R2600
6	Assembled jumper bar (without IP20 protection)		BJM6 (1) 32 A 2 poles 1SNA 168 516 R2500
			BJM6 (1) 32 A 3 poles 1SNA 168 517 R2600
			BJM6 (1) 32 A 4 poles 1SNA 168 518 R0700
			BJM6 (1) 32 A 5 poles 1SNA 168 519 R0000
			BJM6 (1) 32 A 10 poles 1SNA 168 973 R0700
7	Assembled jumper bar (with IP20 protection)		BJMI6 (1) 32 A 2 poles 1SNA 176 663 R0000
			BJMI6 (1) 32 A 3 poles 1SNA 176 664 R0100
			BJMI6 (1) 32 A 4 poles 1SNA 176 665 R0200
			BJMI6 (1) 32 A 5 poles 1SNA 176 666 R0300
			BJMI6 (1) 32 A 10 poles 1SNA 176 667 R0400
8	Jumper bar not assembled Post + screw + washer		BJS6 (1) 32 A 20 poles 1SNA 174 784 R2000
			EV6 1SNA 168 604 R1600
10	Jumper bar		BJB 1SNA 199 466 R2300
11	Screwless jumper bar to be inserted into ADO jaw orange IP20		BJADO6.2 17,5 A 2 poles 1SNA 205 974 R0600
			BJADO6.3 17,5 A 3 poles 1SNA 205 975 R0700
			BJADO6.4 17,5 A 4 poles 1SNA 205 976 R0000
			BJADO6.5 17,5 A 5 poles 1SNA 205 977 R0100
			BJADO6.10 17,5 A 10 poles 1SNA 205 982 R2700
			BJADO6.20 17,5 A 20 poles 1SNA 205 992 R2100
12	Pivoting jumper bar		BJP6 (1) 35 A 1SNA 174 413 R1400
13	Jumper bar for alternated jumping		BJA6 (1) 32 A 10 poles 1SNA 116 541 R1200
14	Connector plate		EL6 35 A 1SNA 173 627 R2100
15	Comb type jumper bar		PC6 35 A 2 poles 1SNA 113 546 R1400
			PC6 35 A 3 poles 1SNA 116 536 R0500
			PC6 35 A 4 poles 1SNA 116 537 R0600
			PC6 35 A 10 poles 1SNA 113 548 R2600
			EIP 1SNA 113 550 R2400
16	Vertical jumper bar		ITVE 1SNA 179 694 R0300
17	Shield connector		CBD2S 1SNA 178 408 R1400
18	Protection label Screw for protection label		EP6 4 blocks 1SNA 163 427 R1700
			VSP6 1SNA 163 433 R1500
19	IDC jumper		AD2,5 24 A 1SNA 114 205 R2000
20	Hand tool kit		OUMAD 1SNA 179 466 R0600
21	Semi-automatic tool		OUPAD 1SNA 178 944 R0400
22	Pneumatic tool kit		OUTAD 1SNA 205 710 R1100
23	Replacement head kit		OUTA 1SNA 205 284 R0300
24	Extraction tool kit		EXAD2 1SNA 205 721 R0000
25	Test connector		CEADO.6 1SNA 399 346 R1200
			CEADOE 1SNA 399 341 R1500
R		See section on markers marking method	RTM7 RC610 RC65
(1) SC obligatory rated voltage with these accessories.			

refer to the section "Special Applications" for part numbers and characteristics.

End stop	th. 12 mm	BADH	V2	1SNA 116 900 R2700
End stop	th. 9,1 mm	BAMH	V2	1SNA 114 836 R0000
End stop	th. 9,1 mm	BAMH V0	V0	1SNA 194 836 R0100
Rail	35 x 7,5 x 1	PR3.Z2		1SNA 174 300 R1700
Rail	35 x 15 x 2,3	PR4		1SNA 168 500 R1200
Rail	35 x 15 x 1,5	PR5		1SNA 168 700 R2200

Other end stops, rails and accessories : see section on accessories.

Characteristics

Wire size

		IEC	UL	CSA
		NFC DIN		
Screw	Rigid	0,2-4 mm ²	22-10 AWG	22-10 AWG
	Flexible	0,22-4 mm ²	22-10 AWG	22-10 AWG
ADO	Rigid	0,28-1,5 mm ²	22-16 AWG	22-16 AWG
	Flexible	0,34-1,5 mm ²	22-16 AWG	22-16 AWG

Voltage

Rated	800 V	600 V	600 V
Impulse withstand	6 kV		
Pollution degree	3		

Current

Rated	17,5 A	18 A	18 A
-------	--------	------	------

Wire size

Rated		1,5 mm ²	10/16 AWG	10/16 AWG
Wire stripping length (screw)	Recommended screwdriver	Recommended torque (screw)	Protection	
9,5 mm	4 mm	0,5-0,8 Nm	IP 20	
.37"	.157"	4.4-7.1 lb.in.	NEMA 1	

Notes

Standard block 6 mm. For multiple wires connections, the two wires need to be of the same gage and nature (rigid or flexible). Terminal block body material is UL 94 V0.

The use of some accessories may decrease the block's voltage rating. For more information, consult us.

Terminal blocks Insulation Displacement

Double deck

ADO - Screw clamp

DIN 3

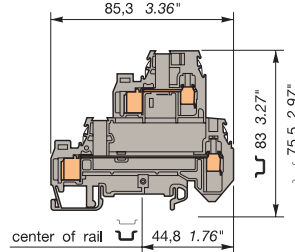
ADO side
0,34 - 1,5 mm²
22 - 16 AWG



Screw side
0,2 - 4 mm²
22 - 10 AWG

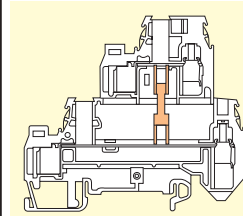
D 4/6.D2.ADO.1

Spacing 6 mm + 0,05 (.238")



D 4/6.D2.ADO with partition

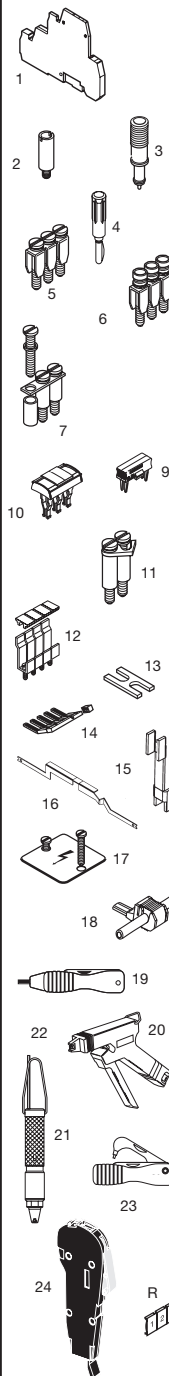
Colour	Type	Part numbers
Grey	<input type="checkbox"/> D 4/6.D2.ADO.1	1SNA 199 245 R0500



Vertical jumper bar assembly (ITVE marker 15)



Accessories



- 1 End section grey
- 2 Test socket
- 3 Test device
- 4 Test plug
- 5 Assembled jumper bar (without IP20 protection)
- 6 Assembled jumper bar (with IP20 protection)
- 7 Jumper bar not assembled Post + screw + washer
- 9 Jumper bar
- 10 Screwless jumper bar to be inserted into ADO jaw orange IP20
- 11 Pivoting jumper bar
- 12 Jumper bar for alternated jumping
- 13 Connector plate
- 14 Comb type jumper bar
- 15 Vertical jumper bar
- 16 Shield connector
- 17 Protection label
- 18 IDC jumper
- 19 Hand tool kit
- 20 Semi-automatic tool
- 21 Pneumatic tool kit
- 22 Replacement head kit
- 23 Extraction tool kit
- 24 Test connector

Type Part numbers

Type	Part numbers
FED2AD1 V0	th. 5,0 mm 1SNA 199 417 R1200
AL2 (1)	DIA. 2,0 mm 1SNA 163 043 R2100
AL3 (1)	DIA. 3,0 mm 1SNA 163 261 R0000
DCJ	yellow 1SNA 173 059 R0300
FC2	DIA. 2,0 mm 1SNA 007 865 R2600
BJM6 (1) 32 A	2 poles 1SNA 168 516 R2500
BJM6 (1) 32 A	3 poles 1SNA 168 517 R2600
BJM6 (1) 32 A	4 poles 1SNA 168 518 R0700
BJM6 (1) 32 A	5 poles 1SNA 168 519 R0000
BJM6 (1) 32 A	10 poles 1SNA 168 973 R0700
BJMI6 (1) 32 A	2 poles 1SNA 176 663 R0000
BJMI6 (1) 32 A	3 poles 1SNA 176 664 R0100
BJMI6 (1) 32 A	4 poles 1SNA 176 665 R0200
BJMI6 (1) 32 A	5 poles 1SNA 176 666 R0300
BJMI6 (1) 32 A	10 poles 1SNA 176 667 R0400
BJS6 (1) 32 A	20 poles 1SNA 174 784 R2000
EV6	1SNA 168 604 R1600
BJB	1SNA 199 466 R2300
BJADO6.2	17,5 A 2 poles 1SNA 205 974 R0600
BJADO6.3	17,5 A 3 poles 1SNA 205 975 R0700
BJADO6.4	17,5 A 4 poles 1SNA 205 976 R0000
BJADO6.5	17,5 A 5 poles 1SNA 205 977 R0100
BJADO6.10	17,5 A 10 poles 1SNA 205 982 R2700
BJADO6.20	17,5 A 20 poles 1SNA 205 992 R2100
BJP6 (1) 35 A	1SNA 174 413 R1400
BJA6 (1) 32 A	10 poles 1SNA 116 541 R1200
EL6	35 A 1SNA 173 627 R2100
PC6	35 A 2 poles 1SNA 113 546 R1400
PC6	35 A 3 poles 1SNA 116 536 R0500
PC6	35 A 4 poles 1SNA 116 537 R0600
PC6	35 A 10 poles 1SNA 113 548 R2600
EIP	1SNA 113 550 R2400
ITVE	1SNA 179 694 R0300
CBD2S	1SNA 178 408 R1400
EP6	4 blocks 1SNA 163 427 R1700
VSP6	1SNA 163 433 R1500
AD2,5	24 A 1SNA 114 205 R2000
OUMAD	1SNA 179 466 R0600
OUPAD	1SNA 178 944 R0400
OUTAD	1SNA 205 710 R1100
OUTA	1SNA 205 284 R0300
EXAD2	1SNA 205 721 R0000
CEADO.6	1SNA 399 346 R1200
CEADOE	1SNA 399 341 R1500

End stop	th. 12 mm	BADH	V2	1SNA 116 900 R2700
End stop	th. 9,1 mm	BAMH	V2	1SNA 114 836 R0000
End stop	th. 9,1 mm	BAMH V0	V0	1SNA 194 836 R0100
Rail	35 x 7,5 x 1	PR3.Z2		1SNA 174 300 R1700
Rail	35 x 15 x 2,3	PR4		1SNA 168 500 R1200
Rail	35 x 15 x 1,5	PR5		1SNA 168 700 R2200

Other end stops, rails and accessories : see section on accessories.

Characteristics

Wire size

		IEC		UL	CSA
		NFC	VDE		
Screw	Rigid	0,2-4 mm ²		22-10 AWG	22-10 AWG
	Flexible	0,22-4 mm ²		22-10 AWG	22-10 AWG
ADO	Rigid	0,28-1,5 mm ²		22-16 AWG	22-16 AWG
	Flexible	0,34-1,5 mm ²		22-16 AWG	22-16 AWG

Voltage

Rated	800 V	600 V	600 V
Impulse withstand	6 kV		
Pollution degree	3		

Current

Rated	17,5 A	18 A	18 A
-------	--------	------	------

Wire size

Rated	1,5 mm ²	10/16 AWG	10/16 AWG
Wire stripping length (screw)	Recommended screwdriver	Recommended torque (screw)	Protection
9,5 mm	4 mm	0,5-0,8 Nm	IP 20
.37"	.157"	4.4-7.1 lb.in.	NEMA 1

Notes

Standard block 6 mm double deck. For multiple wires connections, the two wires need to be of the same gage and nature (rigid or flexible). Terminal block body material is UL 94 V0.

Some accessories can decrease the block's voltage rating. Consult us for more information.

R See section on markers marking method

RC610 RC65

(1) Use of these accessories requires the user to cut out the partition.

Terminal block Insulation Displacement

Double deck
ADO - Screw clamp
DIN 3

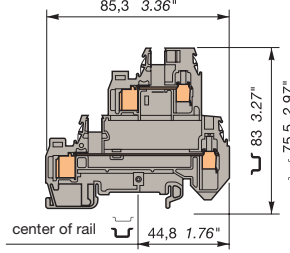
ADO side
1 - 2,5 mm²
16 - 14 AWG



Screw side
0,2 - 10 mm²
24 - 8 AWG

D 6/8.D2.ADO

Spacing 8 mm + 0,05 (.315")

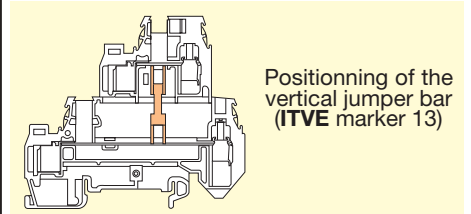


Standard 8 mm block

Colour Type Part numbers

Standard block

Grey	<input type="checkbox"/>	D 6/8.D2.ADO	1SNA 399 600 R2600
Blue	<input type="checkbox"/>	D 6/8.D2.N.ADO	1SNA 399 602 R1400



Positioning of the vertical jumper bar (ITVE marker 13)



Accessories

	Type	Part numbers
	1 End section grey	FED2AD1 V0 th. 5 mm 1SNA 199 417 R1200
	2 Test socket	AL2 (1) DIA. 2 mm 1SNA 163 043 R2100 AL3 (1) DIA. 3 mm 1SNA 163 261 R0000 AL4 (1) DIA. 4 mm 1SNA 163 240 R1700
	3 Test device	DCO orange 1SNA 173 060 R0000
	4 Test plug	FC2 (2) DIA. 2 mm 1SNA 007 865 R2600 FC4 (2) DIA. 4 mm 1SNA 167 860 R0100
	5 Assembled jumper bar (without IP20 protection)	BJM8 (1) 41 A 2 poles 1SNA 168 520 R0500 BJM8 (1) 41 A 3 poles 1SNA 168 521 R2200 BJM8 (1) 41 A 4 poles 1SNA 168 522 R2300 BJM8 (1) 41 A 5 poles 1SNA 168 523 R2400 BJM8 (1) 41 A 10 poles 1SNA 168 974 R0000
	6 Assembled jumper bar (with IP20 protection)	BJMI8 (1) 41 A 2 poles 1SNA 176 669 R1600 BJMI8 (1) 41 A 3 poles 1SNA 176 670 R1300 BJMI8 (1) 41 A 4 poles 1SNA 176 671 R0000 BJMI8 (1) 41 A 5 poles 1SNA 176 672 R0100 BJMI8 (1) 41 A 10 poles 1SNA 176 673 R0200
	7 Jumper bar not assembled Post + screw + washer	BJS8 41 A 20 poles 1SNA 174 789 R0500 EV6 1SNA 168 604 R1600
	9 Jumper bar	BJB 1SNA 199 466 R2300
	10 Pivoting jumper bar	BJP8 (1)(3) 50 A 1SNA 174 448 R0700
	11 Connector plate	EL6 (3) 35 A 1SNA 173 627 R2100
	12 Comb type jumper bar	PC8 50 A 2 poles 1SNA 113 546 R1400 PC8 50 A 3 poles 1SNA 116 536 R0500 PC8 50 A 4 poles 1SNA 116 537 R0600 PC8 50 A 10 poles 1SNA 113 548 R2600
	Insulating tip	EIP 1SNA 113 550 R2400
	13 Vertical jumper bar	ITVE 1SNA 179 694 R0300
	14 Protection label	EP6 3 poles 1SNA 163 427 R1700 EP8 4 poles 1SNA 163 428 R2000 VSP6 1SNA 163 433 R1500
	15 IDC jumper	AD2,5 24 A 1SNA 114 205 R2000
	16 Hand tool kit	OUMAD 1SNA 179 466 R0600
	17 Semi-automatic tool	OUPAD 1SNA 178 944 R0400
	18 Pneumatic tool	OUTAD 1SNA 205 710 R1100
	19 Replacement head kit	OUTA 1SNA 205 284 R0300
	20 Bridging plug	BP8.A4 (with AL4) 1SNA 173 888 R2000
	21 Test connector	CEADO.8 1SNA 399 348 R2400 CEADOE 1SNA 399 341 R1500

End stop	th. 12 mm	BADH	V2	1SNA 116 900 R2700
End stop	th. 9,1 mm	BAMH	V2	1SNA 114 836 R0000
End stop	th. 9,1 mm	BAMH V0	V0	1SNA 194 836 R0100
Rail	35 x 7,5 x 1	PR3.Z2		1SNA 174 300 R1700
Rail	35 x 15 x 2,3	PR4		1SNA 168 500 R1200
Rail	35 x 15 x 1,5	PR5		1SNA 168 700 R2200

Other end stops, rails and accessories : see section on accessories.

Characteristics

Wire size

		IEC		UL	CSA
		NFC	DIN		
Screw	Rigid	0,2-10 mm ²			
	Flexible	0,22-6 mm ²			
ADO	Rigid	1-2,5 mm ²			
	Flexible	1-2,5 mm ²			

Voltage

Rated	800 V
Impulse withstand	8 kV
Pollution degree	3

Current

Rated	24 A
-------	------

Wire size

Rated	2,5 mm ²		
Wire stripping length (screw)	Recommended screwdriver	Recommended torque (screw)	Protection
12 mm	4 - 4,5mm	0,8 - 1 Nm	IP 20
.47"	.157" - .177"	7.1 - 8.9 lb.in.	

Notes

Standard block 8 mm. For multiple wires connections, the two wires need to be of the same gage and nature (rigid or flexible). Terminal block body material is UL 94 V0.

The use of some accessories may decrease the block's voltage rating. For more information, consult us.

R See section on markers



marking method

RTM7 RC810 RCAL85

(1) SC obligatory rated voltage with these accessories. (2) Forbidden under explosive atmosphere EEX usage. (3) Only certified for "i" security.

Terminal block Insulation Displacement

Double deck
ADO - Screw clamp
DIN 3

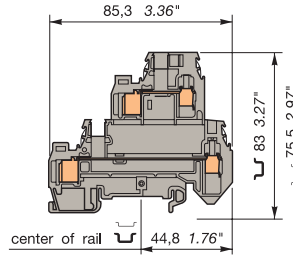
ADO side
1 - 2,5 mm²
16 - 14 AWG



Screw side
0,2 - 10 mm²
24 - 8 AWG

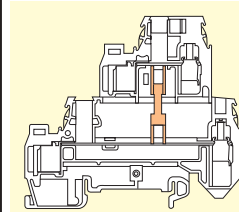
D 6/8.D2.ADO.1

Spacing 8 mm + 0,05 (.315")



D 6/8.D2.ADO with partition

Colour	Type	Part numbers
Grey	<input type="checkbox"/> D 6/8.D2.ADO.1	1SNA 399 601 R1300



Positioning of the vertical jumper bar (ITVE marker 13)



Accessories

		Type	Part numbers
	1 End section	grey	FED2AD1 V0 th. 5 mm 1SNA 199 417 R1200
	2 Test socket	AL2 (1) DIA. 2 mm 1SNA 163 043 R2100 AL3 (1) DIA. 3 mm 1SNA 163 261 R0000 AL4 (1) DIA. 4 mm 1SNA 163 240 R1700	
	3 Test device	DCO orange 1SNA 173 060 R0000	
	4 Test plug	FC2 (2) DIA. 2 mm 1SNA 007 865 R2600 FC4 (2) DIA. 4 mm 1SNA 167 860 R0100	
	5 Assembled jumper bar (without IP20 protection)	BJM8 (1) 41 A 2 poles 1SNA 168 520 R0500 BJM8 (1) 41 A 3 poles 1SNA 168 521 R2200 BJM8 (1) 41 A 4 poles 1SNA 168 522 R2300 BJM8 (1) 41 A 5 poles 1SNA 168 523 R2400 BJM8 (1) 41 A 10 poles 1SNA 168 974 R0000	
	6 Assembled jumper bar (with IP20 protection)	BJMI8 (1) 41 A 2 poles 1SNA 176 669 R1600 BJMI8 (1) 41 A 3 poles 1SNA 176 670 R1300 BJMI8 (1) 41 A 4 poles 1SNA 176 671 R0000 BJMI8 (1) 41 A 5 poles 1SNA 176 672 R0100 BJMI8 (1) 41 A 10 poles 1SNA 176 673 R0200	
	7 Jumper bar not assembled Post + screw + washer	BJS8 41 A 20 poles 1SNA 174 789 R0500 EV6 1SNA 168 604 R1600	
	9 Jumper bar	BJB 1SNA 199 466 R2300	
	10 Pivoting jumper bar	BJP8 (1)(3) 50 A 1SNA 174 448 R0700	
	11 Connector plate	EL6 (3) 35 A 1SNA 173 627 R2100	
	12 Comb type jumper bar	PC8 50 A 2 poles 1SNA 113 546 R1400 PC8 50 A 3 poles 1SNA 116 536 R0500 PC8 50 A 4 poles 1SNA 116 537 R0600 PC8 50 A 10 poles 1SNA 113 548 R2600	
	Insulating tip	EIP 1SNA 113 550 R2400	
	13 Vertical jumper bar	ITVE 1SNA 179 694 R0300	
	14 Protection label	EP6 3 blocks 1SNA 163 427 R1700 EP8 4 blocks 1SNA 163 428 R2000 VSP6 1SNA 163 433 R1500	
	15 IDC jumper	AD2,5 24 A 1SNA 114 205 R2000	
	16 Hand tool kit	OUMAD 1SNA 179 466 R0600	
	17 Semi-automatic tool	OUPAD 1SNA 178 944 R0400	
	18 Pneumatic tool	OUTAD 1SNA 205 710 R1100	
	19 Replacement head kit	OUTA 1SNA 205 284 R0300	
	20 Bridging plug	BP8.A4 (with AL4) 1SNA 173 888 R2000	

End stop	th. 12 mm	BADH	V2	1SNA 116 900 R2700
End stop	th. 9,1 mm	BAMH	V2	1SNA 114 836 R0000
End stop	th. 9,1 mm	BAMH V0	V0	1SNA 194 836 R0100
Rail	35 x 7,5 x 1	PR3.Z2		1SNA 174 300 R1700
Rail	35 x 15 x 2,3	PR4		1SNA 168 500 R1200
Rail	35 x 15 x 1,5	PR5		1SNA 168 700 R2200

Other end stops, rails and accessories : see section on accessories.

Characteristics

Wire size

		IEC	NFC	DIN	UL	CSA
Screw	Rigid	0,2-10 mm ²				
	Flexible	0,22-6 mm ²				
ADO	Rigid	1-2,5 mm ²				
	Flexible	1-2,5 mm ²				

Voltage

Rated	800 V
Impulse withstand	8 kV
Pollution degree	3

Current

Rated	24 A
-------	------

Wire size

Wire stripping length (screw)	Recommended screwdriver	Recommended torque (screw)	Protection
12 mm	4 - 4,5mm	0,8 - 1 Nm	IP 20
.47"	.157" - .177"	7.1 - 8.9 lb.in.	

Notes

Standard block 8 mm. For multiple wires connections, the two wires need to be of the same gage and nature (rigid or flexible). Terminal block body material is UL 94 V0.

The use of some accessories may decrease the block's voltage rating. For more information, consult us.



R See section on markers

marking method

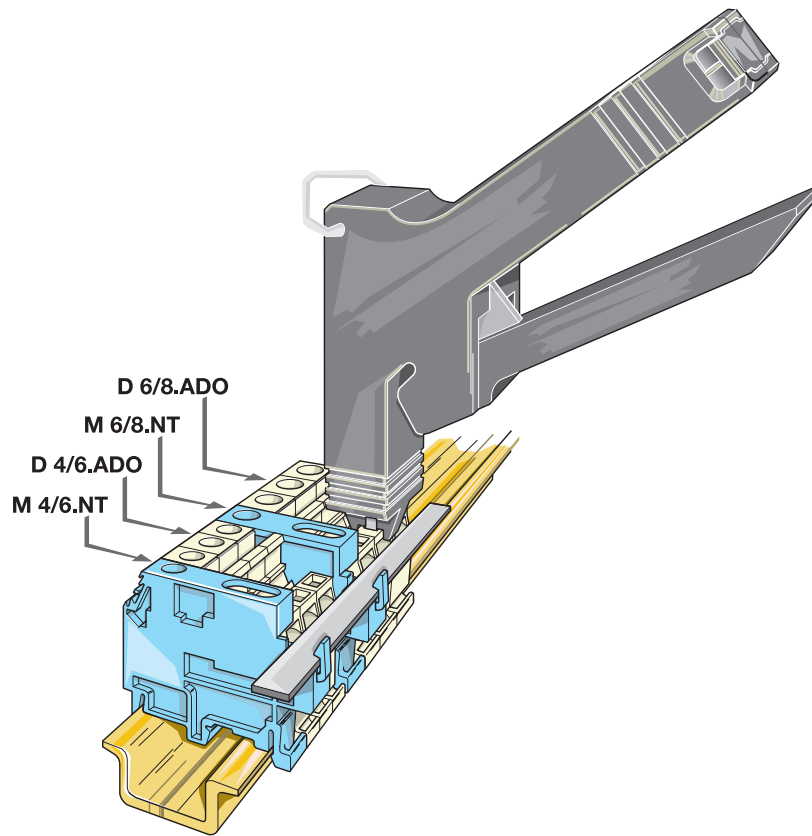
RTM7 RC810 RCAL85

(1) SC obligatory rated voltage with these accessories. (2) Forbidden under explosive atmosphere EEX usage. (3) Only certified for "i" security.

**Compatibility of ADO/
Screw clamp terminal
blocks with Screw
clamp/Screw clamp
switch terminal blocks
for neutral circuits**

Standard ADO/Screw clamp terminal blocks with 6 and 8 mm spacing are compatible with Screw clamp/Screw clamp switch terminal blocks for neutral circuits.

Wire connection and removal is possible with busbar in its place.



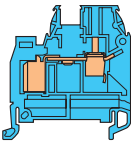
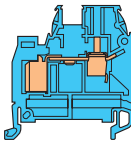
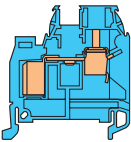
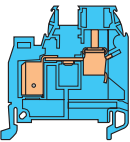
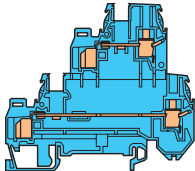
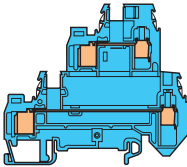
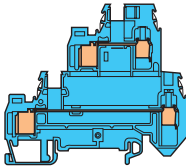
C

1

**ADO/Screw clamp
terminal blocks for
neutral circuits**

ADO/Screw clamp terminal blocks with blue body can be used for neutral connection.

Blue colour permits a good identification.

<p>D 2,5/5.N.ADO Spacing 5 mm + 0,05 (.198")</p>  <p>Rated wire size 1 mm² D 2,5/5.N.ADO 1SNA 199 556 R2500</p>	<p>D 4/6.N.ADO Spacing 6 mm + 0,05 (.238")</p>  <p>Rated wire size 1,5 mm² D 4/6.N.ADO 1SNA 199 036 R1700</p>	<p>D 6/8.N.ADO Spacing 8 mm + 0,05 (.315")</p>  <p>Rated wire size 2,5 mm² D 6/8.N.ADO 1SNA 199 044 R2700</p>	<p>D 6/8.N.ADO3 Spacing 8 mm + 0,05 (.315")</p>  <p>Rated wire size 4 mm² D 6/8.N.ADO3 1SNA 399 319 R1700</p>	<p>D 2,5/5.D2.N.ADO Spacing 5 mm + 0,05 (.200")</p>  <p>Rated wire size 1 mm² D 4/6.D2.N.ADO 1SNA 399 899 R0600</p>
<p>D 4/6.D2.N.ADO Spacing 6 mm + 0,05 (.238")</p>  <p>Rated wire size 1,5 mm² D 4/6.D2.N.ADO 1SNA 199 244 R0400</p>	<p>D 6/8.D2.N.ADO Spacing 8 mm + 0,05 (.315")</p>  <p>Rated wire size 2,5 mm² D 6/8.D2.N.ADO 1SNA 399 602 R1400</p>	<p>Characteristics and accessories of these blocks are described in standard ADO/ Screw clamp block pages.</p>		

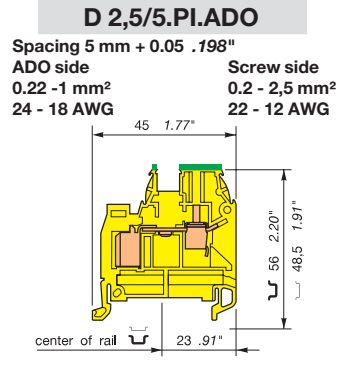
Terminal blocks
Insulation displacement
Ground terminal blocks not electrically connected to the mounting rail

ADO - Screw-clamp
 DIN 3

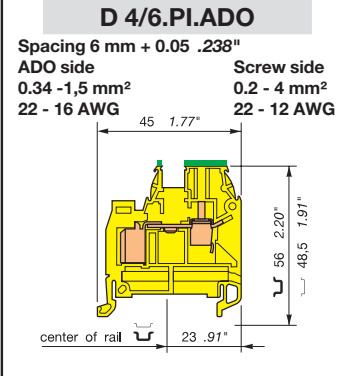


Characteristics and accessories, see Screw clamp terminal blocks.

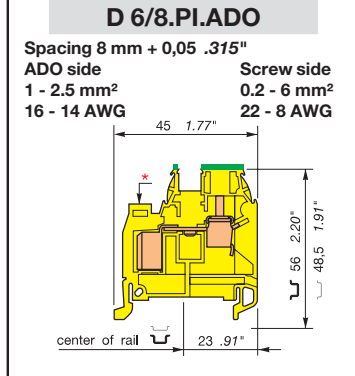
* Black marking for wire side 1 - 2,5 mm² (16-14 AWG)



Type	P/N
Yellow body / Green marking ■ D 2,5/5.PI.ADO	1SNA 399 181 R2600



Type	P/N
Yellow body / Green marking ■ D 4/6.PI.ADO	1SNA 199 037 R1000



Type	P/N
Yellow body / Green marking ■ D 6/8.PI.ADO	1SNA 199 045 R2000

Characteristics

Wire size	Screw	Rigid Flexible	NFC		IEC DIN		UL/CSA	
			22-8 AWG	22-8 AWG	22-8 AWG	22-8 AWG		
Screw	Rigid		0,2-4 mm ²	22-12 AWG	0,2-4 mm ²	22-12 AWG	0,2-4 mm ²	22-12 AWG
	Flexible		0,22-2,5 mm ²	22-12 AWG	0,22-4 mm ²	22-12 AWG	0,22-6 mm ²	22-8 AWG
ADO	Rigid		0,2-1 mm ²	24-18 AWG	0,34-1,5 mm ²	22-16 AWG	1-2,5 mm ²	16-14 AWG
	Flexible		0,22-1 mm ²	24-18 AWG	0,34-1,5 mm ²	22-16 AWG	1-2,5 mm ²	16-14 AWG

Rated current	Rated wire size
120 A/1 s.	1 mm ² 18 AWG
180 A/1 s.	1,5 mm ² 16 AWG
300 A/1 s.	2,5 mm ² 14 AWG

Other characteristics

Wire stripping length	Recommended screwdriver	Recommended torque	Protection
9,5 mm	3,5 mm	0,4-0,6 Nm	IP20
.37"	.137"	3,5-5,3 lb.in	NEMA 1

Approvals:

Accessories

Type	P/N
1 End section grey	FEDAD1 V0 th. 3 mm 1SNA 199 336 R2000
R See section on marking Marking method	RC55 RC510 RTM7

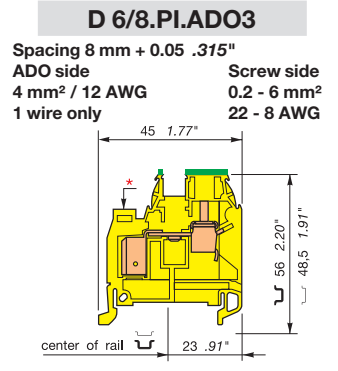
Terminal blocks
Insulation displacement
Ground terminal blocks not electrically connected to the mounting rail

ADO - Screw-clamp
 DIN 3



Characteristics and accessories, see Screw clamp terminal blocks.

* White marking for wire size 4 mm² (12 AWG)



Type	P/N
Yellow body / Green marking ■ D 6/8.PI.ADO.3	1SNA 399 273 R1100

Characteristics

Wire size	Screw	Rigid Flexible	NFC		IEC DIN		UL/CSA	
			22-8 AWG	22-8 AWG	22-8 AWG	22-8 AWG		
Screw	Rigid		0,2-10 mm ²	22-8 AWG	0,2-10 mm ²	22-8 AWG	0,2-10 mm ²	22-8 AWG
	Flexible		0,22-6 mm ²	22-8 AWG	0,22-6 mm ²	22-8 AWG	0,22-6 mm ²	22-8 AWG
ADO	Rigid		4 mm ²	12 AWG	4 mm ²	12 AWG	4 mm ²	12 AWG
	Flexible		4 mm ²	12 AWG	4 mm ²	12 AWG	4 mm ²	12 AWG

Rated current	Rated wire size
480 A/1 s.	4 mm ² 12AWG

Other characteristics

Wire stripping length	Recommended screwdriver	Recommended torque	Protection
12 mm	4 mm-5 mm	0,8-1 Nm	IP20
.47"	.16" - .2"	7,1-8,9 lb.in	NEMA 1

Approvals:

Accessories

Type	P/N
1 End section grey	FEDAD1 V0 th. 3 mm 1SNA 199 336 R2000
R See section on marking Marking method	RTM7 RC810 RCAL85

Terminal blocks Insulation displacement

Ground terminal blocks electrically connected to the mounting rail

ADO - Screw-clamp

DIN 3



refer to the section "Special Applications" for part numbers and characteristics.

Characteristics and accessories, refer to standard ADO - Screw clamp terminal blocks.
* Black marking for wire size 1-2.5 mm² (16-14 AWG)

Characteristics

Wire size	Screw	NFC		IEC		DIN		UL/CSA	
		ADO	Rigid	Flexible	Rigid	Flexible	24-18 AWG	22-12 AWG	22-8 AWG
		0,22-1 mm ²	0,2-2,5 mm ²	0,2-4 mm ²	0,22-2,5 mm ²	0,2-4 mm ²	22-10 AWG	22-10 AWG	22-10 AWG
		0,2-1 mm ²	0,22-1 mm ²	0,2-4 mm ²	0,22-2,5 mm ²	0,2-4 mm ²	22-10 AWG	22-10 AWG	22-10 AWG
		0,2-1 mm ²	0,22-1 mm ²	0,2-4 mm ²	0,22-2,5 mm ²	0,2-4 mm ²	22-10 AWG	22-10 AWG	22-10 AWG
		0,2-1 mm ²	0,22-1 mm ²	0,2-4 mm ²	0,22-2,5 mm ²	0,2-4 mm ²	22-10 AWG	22-10 AWG	22-10 AWG

Rated current	120 A/1 s.	180 A/1 s.	180 A/1 s.	300 A/1 s.
Rated wire size	1 mm ²	1,5 mm ²	1,5 mm ²	2,5 mm ²

Other characteristics

Wire stripping length	Recommended screwdriver	Recommended torque	Protection
9,5 mm	3,5 mm	0,4-0,6 Nm	IP20
.37"	.137"	3,5-5,3 lb.in	NEMA 1

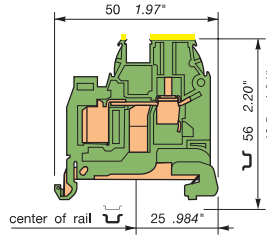
Approvals	UL, CE, VDE, etc.
-----------	-------------------

Accessories

Type	P/N
1 End section yellow grey	FEDAD1 V0 th. 3 mm 1SNA 199 339 R0300 FEDAD1 V0 th. 3 mm 1SNA 199 336 R2000
R See section on marking Marking mode	RC55 RC510 RTM7

D 2,5/5.P.ADO

Spacing 5 mm + 0.05 .198"
ADO side 0.22 - 1 mm²
24 - 18 AWG
Screw side 0.2 - 2,5 mm²
22 - 12 AWG

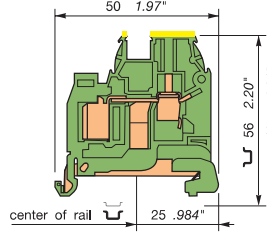


Type	P/N
------	-----

Green body / Yellow marking	D2,5/5.P.ADO 1SNA 399 030 R0500
-----------------------------	---------------------------------

D 4/6.P.ADO

Spacing 6 mm + 0.05 .238"
ADO side 0.34 - 1.5 mm²
22 - 16 AWG
Screw side 0.2 - 4 mm²
22 - 12 AWG

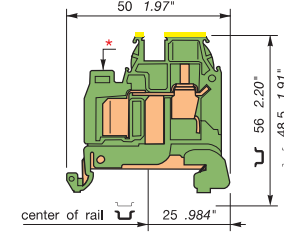


Type	P/N
------	-----

Green body / Yellow marking	D4/6.P.ADO 1SNA 199 050 R0100
-----------------------------	-------------------------------

D 6/8.P.ADO

Spacing 8 mm + 0.05 .315"
ADO side 1 - 2.5 mm²
16 - 14 AWG
Screw side 0.2 - 6 mm²
22 - 8 AWG



Type	P/N
------	-----

Green body / Yellow marking	D6/8.P.ADO 1SNA 199 118 R2600
-----------------------------	-------------------------------

Terminal blocks Insulation displacement

Ground terminal blocks electrically connected to the mounting rail

ADO - Screw-clamp

DIN 3



refer to the section "Special Applications" for part numbers and characteristics.

Characteristics and accessories, refer to standard ADO - Screw clamp terminal blocks.
* white marking for wire size 2.5-4 mm² (14-12 AWG)

Characteristics

Wire size	Screw	NFC		IEC		DIN		UL/CSA	
		ADO	Rigid	Flexible	Rigid	Flexible	12 AWG	12 AWG	22-8 AWG
		0,2-10 mm ²	0,2-4 mm ²	0,2-4 mm ²	0,2-10 mm ²	0,2-10 mm ²	22-8 AWG	22-8 AWG	22-8 AWG
		0,2-10 mm ²	0,2-4 mm ²	0,2-4 mm ²	0,2-10 mm ²	0,2-10 mm ²	22-8 AWG	22-8 AWG	22-8 AWG
		0,2-10 mm ²	0,2-4 mm ²	0,2-4 mm ²	0,2-10 mm ²	0,2-10 mm ²	22-8 AWG	22-8 AWG	22-8 AWG

Rated current	480 A/1 s.
Rated wire size	4 mm ²

Other characteristics

Wire stripping length	Recommended screwdriver	Recommended torque	Protection
12 mm	4 mm- 5 mm	0,8-1 Nm	IP20
.47"	.16" - .2"	7,1-8,9 lb.in	NEMA 1

Approvals	UL, CE, VDE, etc.
-----------	-------------------

Accessories

Type	P/N
1 End section yellow grey	FEDAD1 V0 th. 3 mm 1SNA 199 339 R0300 FEDAD1 V0 th. 3 mm 1SNA 199 336 R2000
R See section on markers Marking method	RTM7 RC810 RCAL85

Double deck terminal blocks Insulation displacement

Ground terminal blocks electrically connected to the mounting rail

ADO - Screw-clamp

DIN 3



Characteristics and accessories, refer to standard ADO - Screw clamp terminal blocks.

Characteristics

Wire size	Screw	NFC		IEC		DIN		UL/CSA	
		ADO	Rigid	Flexible	Rigid	Flexible	12 AWG	12 AWG	22-8 AWG
		0,2-10 mm ²	0,2-4 mm ²	0,2-4 mm ²	0,2-10 mm ²	0,2-10 mm ²	22-8 AWG	22-8 AWG	22-8 AWG
		0,2-10 mm ²	0,2-4 mm ²	0,2-4 mm ²	0,2-10 mm ²	0,2-10 mm ²	22-8 AWG	22-8 AWG	22-8 AWG
		0,2-10 mm ²	0,2-4 mm ²	0,2-4 mm ²	0,2-10 mm ²	0,2-10 mm ²	22-8 AWG	22-8 AWG	22-8 AWG

Rated current	180 A/1 s.
Rated wire size	1,5 mm ²

Other characteristics

Wire stripping length	Recommended screwdriver	Recommended torque	Protection
9,5 mm	4 mm	0,5-0,8 Nm	IP20
.37"	.16"	4,4-7,1 lb.in	NEMA 1

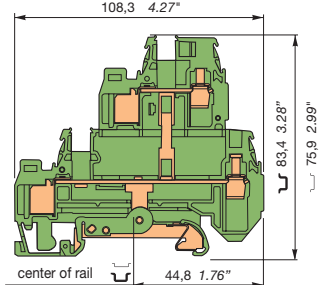
Approvals	UL, CE, VDE, etc.
-----------	-------------------

Accessories

Type	P/N
1 End section grey	FED2AD1 V0 th. 3 mm 1SNA 199 417 R1200
R See section on markers Marking method	RC65 RC610 RTM7

D 4/6.D1.P.ADO

Spacing 6 mm + 0.05 .238"
ADO side 0.34 - 1.5 mm²
22 - 16 AWG
Screw side 0.2 - 4 mm²
24 - 12 AWG



Type	P/N
------	-----

Green body / Yellow marking	D 4/6.D1.P.ADO 1SNA 399 931 R2500
-----------------------------	-----------------------------------

Characteristics

Wire size	Screw	NFC		IEC		DIN		UL/CSA	
		ADO	Rigid	Flexible	Rigid	Flexible	12 AWG	12 AWG	22-8 AWG
		0,2-10 mm ²	0,2-4 mm ²	0,2-4 mm ²	0,2-10 mm ²	0,2-10 mm ²	22-8 AWG	22-8 AWG	22-8 AWG
		0,2-10 mm ²	0,2-4 mm ²	0,2-4 mm ²	0,2-10 mm ²	0,2-10 mm ²	22-8 AWG	22-8 AWG	22-8 AWG
		0,2-10 mm ²	0,2-4 mm ²	0,2-4 mm ²	0,2-10 mm ²	0,2-10 mm ²	22-8 AWG	22-8 AWG	22-8 AWG

Rated current	180 A/1 s.
Rated wire size	1,5 mm ²

Other characteristics

Wire stripping length	Recommended screwdriver	Recommended torque	Protection
9,5 mm	4 mm	0,5-0,8 Nm	IP20
.37"	.16"	4,4-7,1 lb.in	NEMA 1

Approvals	UL, CE, VDE, etc.
-----------	-------------------

Accessories

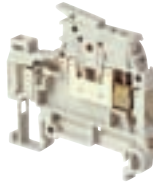
Type	P/N
1 End section grey	FED2AD1 V0 th. 3 mm 1SNA 199 417 R1200
R See section on markers Marking method	RC65 RC610 RTM7

Insulation displacement

Heavy duty switch terminal blocks with blade

Screw clamp - ADO

DIN 3



End stop		th. 9 mm	BADL	V0	1SNA 399 903 R0200
End stop		th. 10 mm	BAM2	V2	1SNA 206 351 R1600
End stop		th. 10 mm	BAM2 V0	V0	1SNA 399 967 R0100
Rail		35 x 7,5 x 1	PR3.Z2		1SNA 174 300 R1700
Rail		35 x 15 x 2,3	PR4		1SNA 168 500 R1200
Rail		35 x 15 x 1,5	PR5		1SNA 168 700 R2200

Other end stops, rails and accessories : see section on accessories.

Notes

For two wire connection max., the wires need to be of the same gage and nature (rigid or flexible). Terminal block body material is UL 94 V0.

All switch terminal blocks offer a test point DIA. 2 mm (or DIA. 2.3 mm on block D2,5/5.SFAT23.ADO) on the ADO side of the block.

Accessories

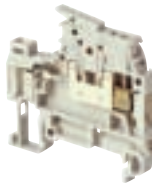
	1	End section	grey orange	FEDAD4	th. 2 mm	1SNA 199 352 R0000
	2	Test plug		FEDAD4	th. 2 mm	1SNA 199 353 R0100
	3	Comb-type jumper		FC2	DIA. 2 mm	1SNA 007 865 R2600
		Insulating tip		PC5	30 A 2 poles	1SNA 113 542 R1000
	4	Shield connector		PC5	30 A 10 poles	1SNA 113 544 R1200
	5	Hand tool kit		EIP		1SNA 113 550 R2400
	6	Semi-automatic tool		CBD1	th. 0,8 mm	1SNA 179 634 R0600
	7	Pneumatic tool kit		OUMAD		1SNA 179 466 R0600
	8	Replacement head kit		OUPAD		1SNA 178 944 R0400
	9	Extraction tool kit		OUTAD		1SNA 205 710 R1100
	10	Screwless jumper bar to be inserted into ADO jaw orange IP20		OUTA		1SNA 205 284 R0300
	11	Test connector		EXAD2		1SNA 205 721 R0000
				BJADO5.2	13,5 A 2 poles	1SNA 205 955 R0300
				BJADO5.3	13,5 A 3 poles	1SNA 205 956 R0400
				BJADO5.4	13,5 A 4 poles	1SNA 205 957 R0500
				BJADO5.5	13,5 A 5 poles	1SNA 205 958 R1600
				BJADO5.10	13,5 A 10 poles	1SNA 205 963 R0300
				BJADO5.20	13,5 A 20 poles	1SNA 205 973 R0500
				CEADO.5		1SNA 399 345 R1100
				CEADOE		1SNA 399 341 R1500
	R	See section on markers marking method		RC55	RC510	

D 2,5/5.SN.ADO				D 2,5/5.SNT2....ADO											
Spacing 5 mm +0,05 .198"				Spacing 5 mm +0,05 .198"											
ADO side 0,22 - 1 mm ² 24-18 AWG				ADO side 0,22 - 1 mm ² 24-18 AWG											
Screw side 0,2 - 2,5 mm ² 22-12 AWG				Screw side 0,2 - 2,5 mm ² 22-12 AWG											
Colour		Type		Part numbers		Colour		Type		Part numbers					
Grey		D 2,5/5.SN.ADO		1SNA 399 226 R0200		Grey		D 2,5/5.SNT2.ADO		1SNA 399 228 R1400					
Orange		D 2,5/5.SN.ADO		1SNA 399 227 R0300		Orange		D 2,5/5.SNT2.ADO		1SNA 399 229 R1500					
With DIA. 2 mm test on two sides.				With DIA. 2.3 mm test on two sides.											
Grey				D 2,5/5.SNT23.ADO				1SNA 399 230 R1200							
Characteristics						Characteristics									
Wire size						Wire size									
		IEC		UL/CSA				IEC		UL/CSA					
		NFC		DIN				NFC		DIN					
Screw*		Rigid		0,2-4 mm ²		22-12 AWG		Screw*		Rigid		0,2-4 mm ²		22-12 AWG	
		Flexible		0,22-2,5 mm ²		22-12 AWG				Flexible		0,22-2,5 mm ²		22-12 AWG	
ADO		Rigid		0,2-1 mm ²		24-18 AWG		ADO		Rigid		0,2-1 mm ²		24-18 AWG	
		Flexible		0,22-1 mm ²		24-18 AWG				Flexible		0,22-1 mm ²		24-18 AWG	
Voltage						Voltage									
Rated		320 V		300 V		Rated		320 V		300 V					
Impulse withstand		4 kV				Impulse withstand		4 kV							
Pollution degree		3				Pollution degree		3							
Current						Current									
Rated		10 A				Rated		10 A							
Wire size						Wire size									
Rated		1 mm ²		12/18 AWG		Rated		1 mm ²		12/18 AWG					
Wire stripping length (screw)		Recommended screwdriver		Recommended torque		protection		Wire stripping length (screw)		Recommended screwdriver		Recommended torque		protection	
9,5 mm		3,5 mm		0,4-0,6 Nm		IP 20		9,5 mm		3,5 mm		0,4-0,6 Nm		IP 20	
.37"		.137"		3.5-5.3 lb.in		NEMA 1		.37"		.137"		3.5-5.3 lb.in		NEMA 1	

Terminal blocks Insulation Displacement

Heavy duty switch
connection by blades
Screw clamp - ADO

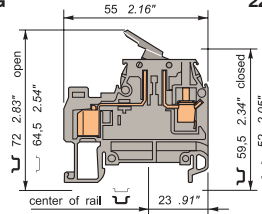
DIN 3



D 4/6.SN.ADO

Spacing 6 mm +0,05 .238"
ADO side
0,34 - 1,5 mm²
22 - 16 AWG

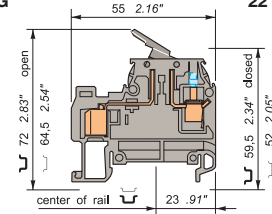
Screw side
0,2 - 4 mm²
22 - 10 AWG



D 4/6.SNT2....ADO

Spacing 6 mm +0,05 .238"
ADO side
0,34 - 1,5 mm²
22 - 16 AWG

Screw side
0,2 - 4 mm²
22 - 10 AWG



Colour	Type	Part numbers
Grey	<input type="checkbox"/> D 4/6.SN.ADO	1SNA 199 107 R2400
Orange	<input type="checkbox"/> D 4/6.SN.ADO	1SNA 199 108 R0500

Colour	Type	Part numbers
With DIA. 2 mm screw test socket for test on screw side.		
Grey	<input type="checkbox"/> D 4/6.SNT2.ADO	1SNA 199 235 R2300
Orange	<input type="checkbox"/> D 4/6.SNT2.ADO	1SNA 199 236 R2400
With DIA. 2.3 mm screw test socket for test on screw side.		
Grey	<input type="checkbox"/> D 4/6.SNT23.ADO	1SNA 199 229 R0500

Characteristics

Wire size	IEC			UL	CSA
	NFC	DIN			
Screw	Rigid	0,2-4 mm ²	22-10 AWG	22-10 AWG	
	Flexible	0,22-4 mm ²	22-10 AWG	22-10 AWG	
ADO	Rigid	0,34-1,5 mm ²	22-16 AWG	22-16 AWG	
	Flexible	0,34-1,5 mm ²	22-16 AWG	22-16 AWG	

Characteristics

Wire size	IEC			UL	CSA
	NFC	DIN			
Screw	Rigid	0,2-4 mm ²	22-10 AWG	22-10 AWG	
	Flexible	0,22-4 mm ²	22-10 AWG	22-10 AWG	
ADO	Rigid	0,34-1,5 mm ²	22-16 AWG	22-16 AWG	
	Flexible	0,34-1,5 mm ²	22-16 AWG	22-16 AWG	

End stop		th. 9 mm	BADL	V0	1SNA 399 903 R0200
End stop		th. 10 mm	BAM2	V2	1SNA 206 351 R1600
End stop		th. 10 mm	BAM2 V0	V0	1SNA 399 967 R0100
Rail		35 x 7,5 x 1	PR3.Z2		1SNA 174 300 R1700
Rail		35 x 15 x 2,3	PR4		1SNA 168 500 R1200
Rail		35 x 15 x 1,5	PR5		1SNA 168 700 R2200

Other end stops, rails and accessories : see section on accessories.

Notes

Standard block 6 mm. For multiple wire connections, the two wires need to be of the **same gage and nature** (rigid or flexible). Terminal block body material is UL 94 V0.

All switch terminal blocks offer a test point (DIA. 2 mm or DIA. 2.3 mm on block D 4/6.SNT23.ADO) on the ADO side of the block.

Voltage			
Rated	500 V	600 V	600 V
Impulse withstand	6 kV		
Pollution degree	3		

Voltage			
Rated	500 V	600 V	600 V
Impulse withstand	6 kV		
Pollution degree	3		

Current			
Rated	10 A	10 A	10 A

Current			
NoRatedminale	10 A	10 A	10 A

Wire size			
Rated	1,5 mm ²	10/16 AWG	10/16 AWG

Section			
Rated	1,5 mm ²	10/16 AWG	10/16 AWG

Wire stripping length (screw)	Recommended screwdriver	Recommended torque (screw)	Protection
9,5 mm .37"	4 mm .16"	0,5-0,8 Nm 4.4-7.1 lb.in	IP 20 NEMA 1

Wire stripping length (screw)	Recommended screwdriver	Recommended torque (screw)	Protection
9,5 mm .37"	4 mm .16"	0,5-0,8 Nm 4.4-7.1 lb.in	IP 20 NEMA 1

Accessories

	1 End section	grey
	2 Test plug	
	3 Comb-type jumper bar	
	4 IDC jumper	
	5 Shield connector	
	6 Hand tool kit	
	7 Semi-automatic tool	
	8 Pneumatic tool kit	
	9 Replacement head kit	
	10 Extraction head kit	
	11 Screwless jumper bar to be inserted into ADO jaw orange IP20	
	12 Test connector	
	R See section on markers	Marking method

Type	Part numbers		
FEDAD4	th. 2 mm	1SNA 199 352 R0000	
FC2	DIA. 2 mm	1SNA 007 865 R2600	
PC61	35 A 10 poles	1SNA 163 311 R2200	
AD2,5	24 A	1SNA 114 205 R2000	
CBD1	th. 0,8 mm	1SNA 179 634 R0600	
OUMAD		1SNA 179 466 R0600	
OUPAD		1SNA 178 944 R0400	
OUTAD		1SNA 205 710 R1100	
OUTA		1SNA 205 284 R0300	
EXAD2		1SNA 205 721 R0000	
BJADO6.2	17,5 A 2 poles	1SNA 205 974 R0600	
BJADO6.3	17,5 A 3 poles	1SNA 205 975 R0700	
BJADO6.4	17,5 A 4 poles	1SNA 205 976 R0000	
BJADO6.5	17,5 A 5 poles	1SNA 205 977 R0100	
BJADO6.10	17,5 A 10 poles	1SNA 205 982 R2700	
BJADO6.20	17,5 A 20 poles	1SNA 205 992 R2100	
CEADO.6		1SNA 399 346 R1200	
CEADOE		1SNA 399 341 R1500	
RC610	RC65		

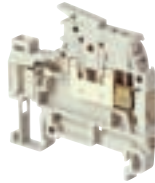
Type	Part numbers		
FEDAD4	th. 2 mm	1SNA 199 352 R0000	
FC2	DIA. 2 mm	1SNA 007 865 R2600	
PC61	35 A 10 poles	1SNA 163 311 R2200	
AD2,5	24 A	1SNA 114 205 R2000	
CBD1	th. 0,8 mm	1SNA 179 634 R0600	
OUMAD		1SNA 179 466 R0600	
OUPAD		1SNA 178 944 R0400	
OUTAD		1SNA 205 710 R1100	
OUTA		1SNA 205 284 R0300	
EXAD2		1SNA 205 721 R0000	
BJADO6.2	17,5 A 2 poles	1SNA 205 974 R0600	
BJADO6.3	17,5 A 3 poles	1SNA 205 975 R0700	
BJADO6.4	17,5 A 4 poles	1SNA 205 976 R0000	
BJADO6.5	17,5 A 5 poles	1SNA 205 977 R0100	
BJADO6.10	17,5 A 10 poles	1SNA 205 982 R2700	
BJADO6.20	17,5 A 20 poles	1SNA 205 992 R2100	
CEADO.6		1SNA 399 346 R1200	
CEADOE		1SNA 399 341 R1500	
RC610	RC65		

**Terminal blocks
Insulation
Displacement**

**Heavy duty switch connection
by blades**

ADO - Screw clamp

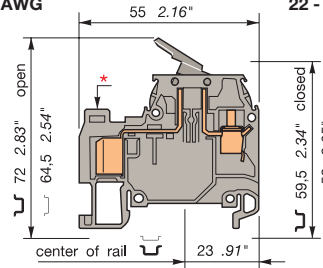
DIN 3



D 4/8.SN.ADO

Spacing 8 mm +0,05 .315"
ADO side
1 - 2,5 mm²
16 - 14 AWG

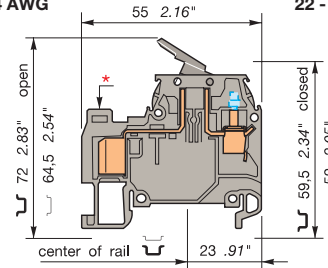
Screw side
0,2 - 4 mm²
22 - 12 AWG



D 4/8.SNT2....ADO

Spacing 8 mm +0,05 .315"
ADO side
1 - 2,5 mm²
16 - 14 AWG

Screw side
0,2 - 4 mm²
22 - 12 AWG



End stop		th. 9 mm	BADL	V0	1SNA 399 903 R0200
End stop		th. 10 mm	BAM2	V2	1SNA 206 351 R1600
End stop		th. 10 mm	BAM2 V0	V0	1SNA 399 967 R0100
Rail		35 x 7,5 x 1	PR3.Z2		1SNA 174 300 R1700
Rail		35 x 15 x 2,3	PR4		1SNA 168 500 R1200
Rail		35 x 15 x 1,5	PR5		1SNA 168 700 R2200

Other end stops, rails and accessories : see section on accessories.

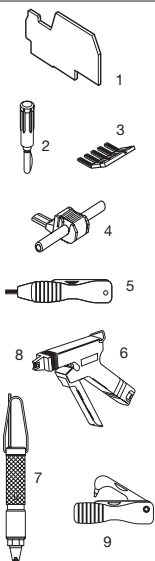
Notes

Standard bloc 8 mm. For multiple wires connections, the two wires need to be of the same gage and nature (rigid or flexible). Terminal block body material is UL 94 V0.

All switch terminal blocks offer a test point (DIA. 2 mm or DIA 2.3 mm on block D 4/6.SNT23.ADO) on the ADO side of the block.

* Black marking for wire size 1 - 2,5 mm² (16 - 14 AWG)

Accessories



1	End section	grey
2	Test plug	
3	Comb-type jumper bar	
4	IDC jumper	
5	Hand tool kit	
6	Semi automatic tool	
7	Pneumatic tool kit	
8	Replacement head kit	
9	Extraction tool kit	



R See section on markers
Marking method



Colour	Type	Part numbers
Grey <input type="checkbox"/>	D 4/8.SN.ADO	1SNA 199 137 R1100
Orange <input type="checkbox"/>	D 4/8.SN.ADO	1SNA 199 138 R2200

Characteristics

Wire size		Wire size		
		IEC NFC DIN	UL	CSA
Screw	Rigid	0,2-6 mm ²	22-10 AWG	22-10 AWG
	Flexible	0,22-4 mm ²	22-10 AWG	22-10 AWG
ADO	Rigid	1-2,5 mm ²	16-14 AWG	16-14 AWG
	Flexible	1-2,5 mm ²	16-14 AWG	16-14 AWG

Voltage			
Rated	500 V	600 V	600 V
Impulse withstand	6 kV		
Pollution degree	3		

Current			
Rated	15 A	15 A	15 A

Wire size			
Rated	2,5 mm ²	10/14 AWG	10/14 AWG
Wire stripping length (screw)	Recommended screwdriver	Recommended torque (screw)	Protection
9,5 mm .37"	4 mm .16"	0,5-0,8 Nm 4.4-7.1 lb.in	IP 20 NEMA 1



Colour	Type	Part numbers
Grey <input type="checkbox"/>	D 4/8.SNT2.ADO	1SNA 199 139 R2300
Orange <input type="checkbox"/>	D 4/8.SNT2.ADO	1SNA 199 140 R0000

With DIA 2 mm screw test socket for test on screw side.

Colour	Type	Part numbers
Grey <input type="checkbox"/>	D 4/8.SNT23.ADO	1SNA 199 141 R2500

With DIA 2.3 mm screw test socket for test on screw side.

Characteristics

Wire size		Wire size		
		IEC NFC DIN	UL	CSA
Screw	Rigid	0,2-6 mm ²	22-10 AWG	22-10 AWG
	Flexible	0,22-4 mm ²	22-10 AWG	22-10 AWG
ADO	Rigid	1-2,5 mm ²	16-14 AWG	16-14 AWG
	Flexible	1-2,5 mm ²	16-14 AWG	16-14 AWG

Voltage			
Rated	500 V	600 V	600 V
Impulse withstand	6 kV		
Pollution degree	3		

Current			
Rated	15 A	15 A	15 A

Section			
Rated	2,5 mm ²	10/14 AWG	10/14 AWG
Wire stripping length (screw)	Recommended screwdriver	Recommended torque (screw)	Protection
9,5 mm .37"	4 mm .16"	0,5-0,8 Nm 4.4-7.1 lb.in	IP 20 NEMA 1

Accessories

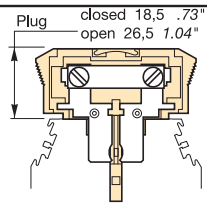
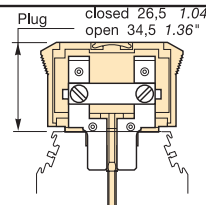


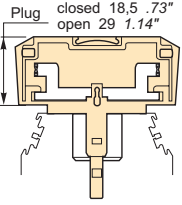
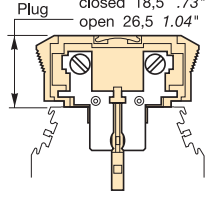
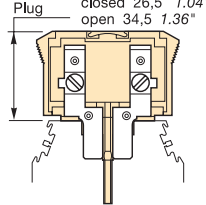
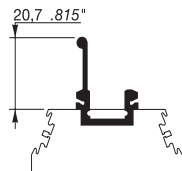
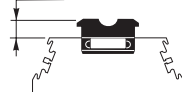


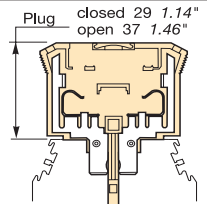
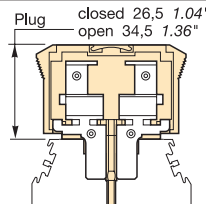
Type	Part numbers		
FEDAD4	th. 2 mm	1SNA 199 352 R0000	
FC2	DIA. 2 mm	1SNA 007 865 R2600	
PC81	35 A 10 poles	1SNA 173 523 R1100	
AD2,5	24 A	1SNA 114 205 R2000	
OUMAD		1SNA 179 466 R0600	
OUPAD		1SNA 178 944 R0400	
OUTAD		1SNA 205 710 R1100	
OUTA		1SNA 205 284 R0300	
EXAD2		1SNA 205 721 R0000	

Accessories

Type	Part numbers		
FEDAD4	th. 2 mm	1SNA 199 352 R0000	
FC2	DIA. 2 mm	1SNA 007 865 R2600	
PC81	35 A 10 poles	1SNA 173 523 R1100	
AD2,5	24 A	1SNA 114 205 R2000	
OUMAD		1SNA 179 466 R0600	
OUPAD		1SNA 178 944 R0400	
OUTAD		1SNA 205 710 R1100	
OUTA		1SNA 205 284 R0300	
EXAD2		1SNA 205 721 R0000	

RC810 RCAL85

RC810 RCAL85

Selection guide for different types of plugs					
Types of plugs	Types of fuses	D 2,5/5.S.ADO	D 2,5/5.SFA...ADO	D 4/6.S.ADO	D 4/8.S.ADO
Switching function	Short-circuit plug			 <p>Plug closed 18,5 .73" open 26,5 1.04"</p> <p>BNC62 1SNA 196 853 R1400 without test</p>	 <p>Plug closed 26,5 1.04" open 34,5 1.36"</p> <p>BNCT82 1SNA 196 926 R0500 with test</p>
	Plug with solder tags and screws (1)	<p>Soldered fuses</p>  <p>type FUBS - 0,5 to 5 A - 250 V</p> <p>Flat fuses</p>  <p>type FUPLV - 1 to 5 A - 250 V</p>	 <p>Plug closed 18,5 .73" open 29 1.14"</p> <p>BNS.D5 1SNA 295 381 R2600</p>	 <p>Plug closed 18,5 .73" open 26,5 1.04"</p> <p>BNSV62 1SNA 196 854 R1500</p>	 <p>Plug closed 26,5 1.04" open 34,5 1.36"</p> <p>BNSV82 1SNA 196 927 R0600</p>
Fuse protection function	Fuse holder plug	Automotive miniature fuses (2)	 <p>20,7 .815"</p> <p>BFAUTO 1SNA 299 877 R0300 V0 black</p>	 <p>5,4 .21"</p> <p>BFAUTO 1SNA 299 486 R2400 V0 black</p>	
	Fuse holder plug	<p>Fuses 5 x 20</p>  <p>type FU520 - 0,5 to 5 A - 250 V</p> <p>Fuses 5 x 25</p>  <p>type FU525 - 1,6 to 6,3 A - 250 V</p>		 <p>Plug closed 29 1.14" open 37 1.46"</p> <p>BNF652 1SNA 196 998 R1600 BNF652D (3) 1SNA 196 999 R1700 BNF652D(4) 1SNA 196 966 R1500 BNF652L (5) 1SNA 196 967 R1600</p>	 <p>Plug closed 26,5 1.04" open 34,5 1.36"</p> <p>BNF52 1SNA 196 924 R0300</p>

Types of fuses

Soldered fuses

FUBS	0,5 A	1SNA 174 893 R1600
FUBS	1 A	1SNA 174 894 R1700
FUBS	2 A	1SNA 174 895 R1000
FUBS	3 A	1SNA 174 896 R1100
FUBS	5 A	1SNA 174 897 R1200

Flat fuses

FUPLV	1 A	1SNA 008 096 R2000
FUPLV	2 A	1SNA 008 097 R2100
FUPLV	5 A	1SNA 008 098 R0200

Fuses 5 x 20 mm

FU520	0,5 A	1SNA 008 288 R1500
FU520	1 A	1SNA 008 290 R1300
FU520	2 A	1SNA 008 291 R0000
FU520	3.15 A	1SNA 008 289 R1600
FU520	5 A	1SNA 008 292 R0100

Automotive miniature fuses

FUAUTO	2 A	1SNA 179 879 R1400
FUAUTO	3 A	1SNA 179 880 R0200

Fuses 5 x 25 mm

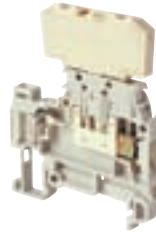
FU525	1.6 A	1SNA 167 546 R2200
FU525	2 A	1SNA 167 547 R2300
FU525	2.5 A	1SNA 167 548 R0400
FU525	4 A	1SNA 167 549 R0500
FU525	6.3 A	1SNA 167 550 R0200

Nota : (1) Compatible with electronic components max.diameter or thickness for components : - plug BNSV62 : 4 mm/.157" max.
- plug BNSV82 : 6 mm /.236" max.
(2) For all fuses, the dissipated load should remain under 0,8 W. (3) with led 24 V AC/DC. (4) with led 48 V AC/DC. (5) avec neon lamp 110-230 V AC/DC.

Terminal blocks Insulation displacement

Heavy duty switch
blocks with plug
Screw clamp - ADO

DIN 3



End stop	th. 9 mm	BADL	V0	1SNA 399 903 R0200
End stop	th. 10 mm	BAM2	V2	1SNA 206 351 R1600
End stop	th. 10 mm	BAM2 V0	V0	1SNA 399 967 R0100
Rail	35 x 7,5 x 1	PR3.Z2		1SNA 174 300 R1700
Rail	35 x 15 x 2,3	PR4		1SNA 168 500 R1200
Rail	35 x 15 x 1,5	PR5		1SNA 168 700 R2200

Other end stops, rails and accessories : see section on accessories.

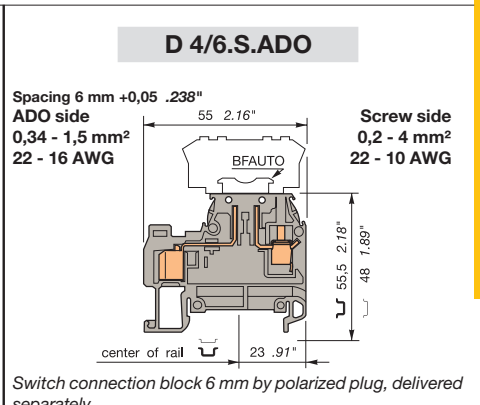
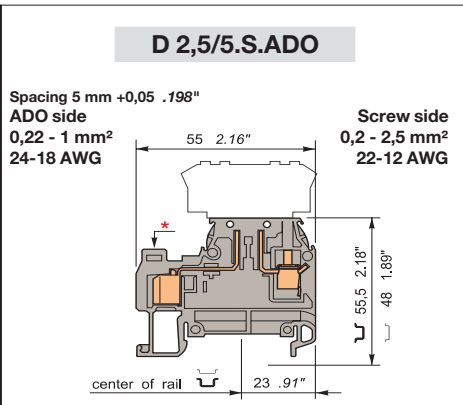
Notes

5 mm and 6 mm blocks. For multiple wire connections, the two wires need to be of the same gage and nature (rigid or flexible). Terminal block body material is UL 94 V0.

* Black marking for wire size 1 - 2,5 mm² (16 - 14 AWG)

Accessories

	1	End section	grey orange
	2	Comb-type jumper bar	
		Insulating tip	
	3	IDC jumper	
	4	Fuse-holder plug	ivory
	5	Plug extractor	
	6	Soldered fuses	
	7	Short-circuit plug	
	8	Fuse-holder plug (for soldered fuses or flat fuses)	
	9	Fuse-holder plug (automotive)	
	10	Fuse-holder plug (for 5x20 or 5x25 fuses)	(2)
		BNF652 with LED 48V AC/DC	
		BNF652 with LED 24V AC/DC	
		BNF652 with neon lamp 110-230V AC/DC	
	11	Shield connector	
	12	Hand tool kit	
	13	Semi-automatic tool	
	14	Pneumatic tool kit	
	15	Replacement head kit	
	16	Extraction tool kit	
	17	Screwless jumper bar to be inserted into ADO jaw orange IP20	
	18	Test connector	
	R	See section on markers marking method	



Switch connection block 6 mm by polarized plug, delivered separately.

Colour	Type	Part number
Grey	D 2,5/5.S.ADO	1SNA 399 234 R0200

Colour	Type	Part number
Grey	D 4/6.S.ADO	1SNA 199 067 R2600

Characteristics

Wire size	IEC		UL/CSA
	NFC	DIN	
Screw	Rigid	0,2-4 mm ²	22-12 AWG
	Flexible	0,22-2,5 mm ²	22-12 AWG
ADO	Rigid	0,2-1 mm ²	24-18 AWG
	Flexible	0,22-1 mm ²	24-18 AWG

Characteristics

Wire size	IEC		UL	CSA
	NFC	DIN		
Screw	Rigid	0,2-6 mm ²	22-10 AWG	22-10 AWG
	Flexible	0,22-4 mm ²	22-10 AWG	22-10 AWG
ADO	Rigid	0,34-1,5 mm ²	22-16 AWG	22-16 AWG
	Flexible	0,34-1,5 mm ²	22-16 AWG	22-16 AWG

Voltage

Rated	320 V (3)	300 V (3)
Impulse withstand	4 kV	
Pollution degree	3	

Voltage

Rated	500 V (3)	600 V (3)	600 V (3)
Impulse withstand	6 kV		
Pollution degree	3		

Current

Rated	10 A
-------	------

Current

Rated	10 A	10 A	15 A
-------	------	------	------

Wire size

Rated	1 mm ²		
Wire stripping length (screw)	Recommended screwdriver	Recommended torque (screw)	Protection
9,5 mm	3,5 mm	0,4-0,6 Nm	IP 20
.37"	.137"	3.5-5.3 lb.in	NEMA 1

Wire size

Rated	1,5 mm ²	10/16 AWG	10/16 AWG
Wire stripping length (screw)	Recommended screwdriver	Recommended torque (screw)	Protection
9,5 mm	4 mm	0,5-0,8 Nm	IP 20
.37"	.16"	4.4-7.1 lb.in	NEMA 1

Type	Part numbers		
FEDAD4	th. 2 mm	1SNA 199 352 R0000	
FEDAD4	th. 2 mm	1SNA 199 353 R0100	
PC5	30 A 2 poles	1SNA 113 542 R1000	
PC5	30 A 10 poles	1SNA 113 544 R1200	
EIP		1SNA 113 550 R2400	
BNS.D5	th. 5 mm	1SNA 295 381 R2600	
EXBN2		1SNA 171 018 R2000	
FUBS	0,5 A	1SNA 174 893 R1600	
FUBS	1 A	1SNA 174 894 R1700	
FUBS	2 A	1SNA 174 895 R1000	
FUBS	3 A	1SNA 174 896 R1100	
FUBS	5 A	1SNA 174 897 R1200	
CBD1	th. 0,8 mm	1SNA 179 634 R0600	
OUMAD		1SNA 179 466 R0600	
OUPAD		1SNA 178 944 R0400	
OUTAD		1SNA 205 710 R1100	
OUTA		1SNA 205 284 R0300	
EXAD2		1SNA 205 721 R0000	
BJADO5.2	13,5 A 2 poles	1SNA 205 955 R0300	
BJADO5.3	13,5 A 3 poles	1SNA 205 956 R0400	
BJADO5.4	13,5 A 4 poles	1SNA 205 957 R0500	
BJADO5.5	13,5 A 5 poles	1SNA 205 958 R1600	
BJADO5.10	13,5 A 10 poles	1SNA 205 963 R0300	
BJADO5.20	13,5 A 20 poles	1SNA 205 973 R0500	
CEADO.5		1SNA 399 345 R1100	
CEADOE		1SNA 399 341 R1500	

Type	Part numbers		
FEDAD4	th. 2 mm	1SNA 199 352 R0000	
FEDAD4	th. 2 mm	1SNA 199 353 R0100	
PC61	35 A 10 poles	1SNA 163 311 R2200	
AD2,5	24 A	1SNA 114 205 R2000	
EXBN2		1SNA 171 018 R2000	
BNC62 (2)	th. 6 mm	1SNA 196 853 R1400	
BNSV62 (2)	th. 6 mm	1SNA 196 854 R1500	
BFAUTO	V0 black	1SNA 299 486 R2400	
BNF652V0	V0 th. 6 mm	1SNA 196 998 R1600	
BNF652 D (1) V0	th. 6 mm	1SNA 196 999 R1700	
BNF652 D1 (1)V0	th. 6 mm	1SNA 196 966 R1500	
BNF652 L (1) V0	th. 6 mm	1SNA 196 967 R1600	
CBD1	th. 0,8 mm	1SNA 179 634 R0600	
OUMAD		1SNA 179 466 R0600	
OUPAD		1SNA 178 944 R0400	
OUTAD		1SNA 205 710 R1100	
OUTA		1SNA 205 284 R0300	
EXAD2		1SNA 205 721 R0000	
BJADO6.2	17,5 A 2 poles	1SNA 205 974 R0600	
BJADO6.3	17,5 A 3 poles	1SNA 205 975 R0700	
BJADO6.4	17,5 A 4 poles	1SNA 205 976 R0000	
BJADO6.5	17,5 A 5 poles	1SNA 205 977 R0100	
BJADO6.10	17,5 A 10 poles	1SNA 205 982 R2700	
BJADO6.20	17,5 A 20 poles	1SNA 205 992 R2100	
CEADO.6		1SNA 399 346 R1200	
CEADOE		1SNA 399 341 R1500	

RC55 RC510

(1) Leakage current with LED 24 V or 48 V : < 1,6 mA and with neon lamp 110 or 230 VAC/DC : < 0,5 mA.
(2) See selection guide for dimensions of plugs and type of fuses to use.
(3) Terminal block insulating voltage, working voltage according to fuse.

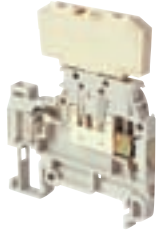
RC610 RC65

Terminal blocks Insulation Displacement

Heavy duty switch
blocks with plug

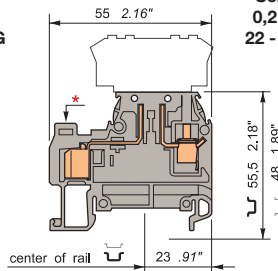
ADO - Screw clamp
ADO - Double screw clamp

DIN 3



D 4/8.S.ADO

Spacing 8 mm +0,05 .315"
ADO side
1 - 2,5 mm²
16 - 14 AWG

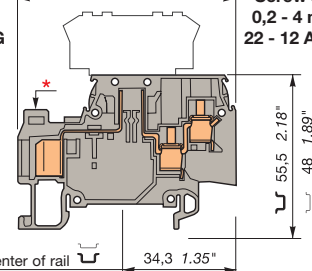


Screw side
0,2 - 4 mm²
22 - 10 AWG

Switch connection block 8 mm by polarized plug, delivered separately.

D 4/8.S.2A.ADO2

Spacing 8 mm +0,05 .315"
ADO side
1 - 2,5 mm²
16 - 14 AWG



Screw side
0,2 - 4 mm²
22 - 12 AWG

Switch connection block 8 mm by polarized plug, delivered separately.



Colour	Type	Part number
Grey	<input type="checkbox"/> D 4/8.S.ADO	1SNA 199 215 R2700

Colour	Type	Part number
Grey	<input type="checkbox"/> D 4/8.S.2A.ADO2	1SNA 399 940 R1200
Orange	<input type="checkbox"/> D 4/8.S.2A.ADO2	1SNA 399 942 R0000

Characteristics				
Wire size		Wire size		
		IEC NFC DIN	UL	CSA
Screw	Rigid	0,2-6 mm ²	22-10 AWG	22-10 AWG
	Flexible	0,22-4 mm ²	22-10 AWG	22-10 AWG
ADO	Rigid	1-2,5 mm ²	16-14 AWG	16-14 AWG
	Flexible	1-2,5 mm ²	16-14 AWG	16-14 AWG

Characteristics				
Wire size		Wire size		
		IEC NFC DIN	UL	CSA
Screw	Rigid	0,2-4 mm ²	22-12 AWG	22-12 AWG
	Flexible	0,22-4 mm ²	22-12 AWG	22-12 AWG
ADO	Rigid	1-2,5 mm ²	16-14 AWG	16-14 AWG
	Flexible	1-2,5 mm ²	16-14 AWG	16-14 AWG

Voltage			
Rated	500 V (2)	600 V (2)	600 V (2)
Impulse withstand	6 kV		
Pollution degree	3		

Voltage			
Rated	500 V (2)		
Impulse withstand	6 kV		
Pollution degree	3		

Current			
Rated	15 A	15 A	15 A

Current			
Rated	10 A		

Section			
Rated	2,5 mm ²	10/16 AWG	10/16 AWG
Wire stripping length (screw)	Recommended screwdriver	Recommended torque (screw)	Protection
9,5 mm	4 mm	0,5-0,8 Nm	IP 20
.37"	.16"	4.4-7.1 lb.in	NEMA 1

Wire size			
Rated	2,5 mm ²	14 AWG	14 AWG
Wire stripping length (screw)	Recommended screwdriver	Recommended torque (screw)	Protection
9,5 mm	4 mm	0,5-0,8 Nm	IP 20
.37"	.16"	4.4-7.1 lb.in	NEMA 1

End stop	th. 9 mm	BADL	V0	1SNA 399 903 R0200
End stop	th. 10 mm	BAM2	V2	1SNA 206 351 R1600
End stop	th. 10 mm	BAM2 V0	V0	1SNA 399 967 R0100
Rail	35 x 7,5 x 1	PR3.Z2		1SNA 174 300 R1700
Rail	35 x 15 x 2,3	PR4		1SNA 168 500 R1200
Rail	35 x 15 x 1,5	PR5		1SNA 168 700 R2200

Other end stops, rails and accessories : see section on accessories.

Notes

8 mm blocks. For multiple wire connections, the two wires need to be of the same gage and nature (rigid or flexible). Terminal block body material is UL 94 V0.

* Black marking for wire size 1 - 2,5 mm² (16 - 14 AWG)

Accessories

	1 End section	grey orange
	2 Comb-type jumper bar	
	3 IDC jumper	
	4 Short-circuit plug	(1)
	5 Fuse holder plug (for soldered fuses or flat fuses)	(1)
	6 Fuse holder plug (for 5 x 20 or 5 x 25 fuses)	(1)
	7 Plug extractor	
	8 Hand tool kit	
	9 Semi-automatic tool	
	10 Pneumatic tool kit	
	11 Replacement head kit	
	12 Extraction head kit	
	R See section on markers Marking method	

Type	Part numbers		
FEDAD4	th. 2 mm	1SNA 199 352 R0000	
PC61	35 A	10 poles	1SNA 163 311 R2200
AD2,5	24 A		1SNA 114 205 R2000
BNCT82	th. 8 mm		1SNA 196 926 R0500
BNSV82	th. 8 mm		1SNA 196 927 R0600
BNF52	th. 8 mm		1SNA 196 924 R0300
EXBN2			1SNA 171 018 R2000
OUMAD			1SNA 179 466 R0600
OUPAD			1SNA 178 944 R0400
OUTAD			1SNA 205 710 R1100
OUTA			1SNA 205 284 R0300
EXAD2			1SNA 205 721 R0000
RCAL85 RC810			

Type	Part numbers		
FEDAD11	th. 3 mm	1SNA 399 937 R2300	
FEDAD11	th. 3 mm	1SNA 399 939 R0500	
PC81			1SNA 173 523 R1100
AD2,5	24 A		1SNA 114 205 R2000
BNCT82	th. 8 mm		1SNA 196 926 R0500
BNSV82	th. 8 mm		1SNA 196 927 R0600
BNF52	th. 8 mm		1SNA 196 924 R0300
EXBN2			1SNA 171 018 R2000
OUMAD			1SNA 179 466 R0600
OUPAD			1SNA 178 944 R0400
OUTAD			1SNA 205 710 R1100
OUTA			1SNA 205 284 R0300
EXAD2			1SNA 205 721 R0000
RC810			

(1) See selection guide for dimensions of plugs and type of fuses to use.
(2) Terminal block insulating voltage, working voltage according to fuse.

Insulation displacement

Heavy duty switch terminal blocks with fuse-holder plug for automotive

Mini Fuse

Screw clamp - ADO

DIN 3



End stop		th. 9 mm	BADL	V0	1SNA 399 903 R0200
End stop		th. 10 mm	BAM2	V2	1SNA 206 351 R1600
End stop		th. 10 mm	BAM2 V0	V0	1SNA 399 967 R0100
Rail		35 x 7,5 x 1	PR3.Z2		1SNA 174 300 R1700
Rail		35 x 15 x 2,3	PR4		1SNA 168 500 R1200
Rail		35 x 15 x 1,5	PR5		1SNA 168 700 R2200

Other end stops, rails and accessories : see section on accessories.

Notes

For two wire connection max., the wires need to be of the same gage and nature (rigid or flexible). Terminal block body material is UL 94 V0.

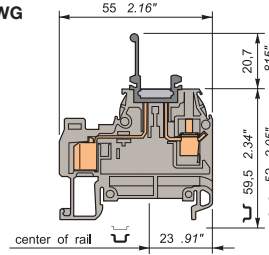
All switch terminal blocks offer a test point DIA. 2 mm (or DIA. 2.3 mm on block D2,5/5.SFAT23.ADO) on the ADO side of the block.

Accessories

	1	End section	grey orange
	2	Test plug	
	3	Comb-type jumper	
	4	Fuse-holder plug	black
	5	Mini Fuse - 32 V max.	
	6	Shield connector	
	7	Hand tool kit	
	8	Semi-automatic tool	
	9	Pneumatic tool kit	
	10	Replacement head kit	
	11	Extraction tool kit	
	12	Screwless jumper bar to be inserted into ADO jaw orange IP20	
	13	Test connector	
	R	See section on marking method	

D 2,5/5.SFA..ADO

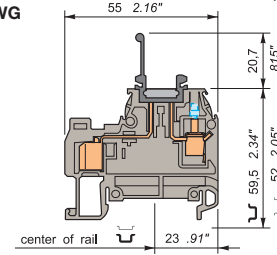
Spacing 5 mm +0,05 .198"
ADO side
0,22 - 1 mm²
24-18 AWG



Screw side
0,2 - 2,5 mm²
22-12 AWG

D 2,5/5.SFAT2..ADO

Spacing 5 mm +0,05 .198"
ADO side
0,22 - 1 mm²
24-18 AWG



Screw side
0,2 - 2,5 mm²
22-12 AWG



Colour	Type	Part numbers	Colour	Type	Part numbers
Grey		D 2,5/5.SFA.ADO 1SNA 399 236 R0400	Grey		D 2,5/5.SFAT2.ADO 1SNA 399 238 R1600
Orange		D 2,5/5.SFA.ADO 1SNA 399 237 R0500	Grey		D 2,5/5.SFAT23.ADO 1SNA 399 239 R1700

Characteristics				Characteristics							
Wire size				Wire size							
		IEC		UL/CSA							
		NFC	DIN	UL/CSA							
Screw*	Rigid	0,2-4 mm ²		22-12 AWG		Screw*	Rigid	0,2-4 mm ²		22-12 AWG	
	Flexible	0,22-2,5 mm ²		22-12 AWG			Flexible	0,22-2,5 mm ²		22-12 AWG	
ADO	Rigid	0,2-1 mm ²		24-18 AWG		ADO	Rigid	0,2-1 mm ²		24-18 AWG	
	Flexible	0,22-1 mm ²		24-18 AWG			Flexible	0,22-1 mm ²		24-18 AWG	

Voltage			Voltage		
Rated	500 V (1)	150 V (1)	Rated	500 V (1)	150 V (1)
Impulse withstand	6 kV		Impulse withstand	6 kV	
Pollution degree	3		Pollution degree	3	

Current			Current		
Rated	3 A		Rated	3 A	

Wire size				Wire size			
Rated				Rated			
1 mm ²				1 mm ²			
Wire stripping length (screw)	Recommended screwdriver	Recommended torque	protection	Wire stripping length (screw)	Recommended screwdriver	Recommended torque	protection
9,5 mm .37"	3,5 mm .137"	0,4-0,6 Nm 3.5-5.3 lb.in	IP 20 NEMA 1	9,5 mm .37"	3,5 mm .137"	0,4-0,6 Nm 3.5-5.3 lb.in	IP 20 NEMA 1

Type	Part numbers			Type	Part numbers		
FEDAD4	th. 2 mm	1SNA 199 352 R0000		FEDAD4	th. 2 mm	1SNA 199 352 R0000	
FEDAD4	th. 2 mm	1SNA 199 353 R0100		FEDAD4	th. 2 mm	1SNA 199 353 R0100	
FC2	DIA. 2 mm	1SNA 007 865 R2600		FC2	DIA. 2 mm	1SNA 007 865 R2600	
PC5	2 poles	1SNA 113 542 R1000		PC5	2 poles	1SNA 113 542 R1000	
PC5	10 poles	1SNA 113 544 R1200		PC5	10 poles	1SNA 113 544 R1200	
BF5AUTO		1SNA 299 877 R0300		BF5AUTO		1SNA 299 877 R0300	
FUAUTO	2 A	1SNA 179 879 R1400		FUAUTO	2 A	1SNA 179 879 R1400	
FUAUTO	3 A	1SNA 179 880 R0200		FUAUTO	3 A	1SNA 179 880 R0200	
CBD1	th. 0,8 mm	1SNA 179 634 R0600		CBD1	th. 0,8 mm	1SNA 179 634 R0600	
OUMAD		1SNA 179 466 R0600		OUMAD		1SNA 179 466 R0600	
OUPAD		1SNA 178 944 R0400		OUPAD		1SNA 178 944 R0400	
OUTAD		1SNA 205 710 R1100		OUTAD		1SNA 205 710 R1100	
OUTA		1SNA 205 284 R0300		OUTA		1SNA 205 284 R0300	
EXAD2		1SNA 205 721 R0000		EXAD2		1SNA 205 721 R0000	
BJADO5.2	13,5 A 2 poles	1SNA 205 955 R0300		BJADO5.2	13,5 A 2 poles	1SNA 205 955 R0300	
BJADO5.3	13,5 A 3 poles	1SNA 205 956 R0400		BJADO5.3	13,5 A 3 poles	1SNA 205 956 R0400	
BJADO5.4	13,5 A 4 poles	1SNA 205 957 R0500		BJADO5.4	13,5 A 4 poles	1SNA 205 957 R0500	
BJADO5.5	13,5 A 5 poles	1SNA 205 958 R1600		BJADO5.5	13,5 A 5 poles	1SNA 205 958 R1600	
BJADO5.10	13,5 A 10 poles	1SNA 205 963 R0300		BJADO5.10	13,5 A 10 poles	1SNA 205 963 R0300	
BJADO5.20	13,5 A 20 poles	1SNA 205 973 R0500		BJADO5.20	13,5 A 20 poles	1SNA 205 973 R0500	
CEADO.5		1SNA 399 345 R1100		CEADO.5		1SNA 399 345 R1100	
CEADOE		1SNA 399 341 R1500		CEADOE		1SNA 399 341 R1500	
RC55	RC510			RC55	RC510		

(1) Terminal block insulating voltage. Working voltage according to fuse (32 V max.).

**Terminal blocks
Insulation
Displacement**



Fuse blocks for
5 x 20 mm and 5 x 25 mm fuses

Open in the opposite direction

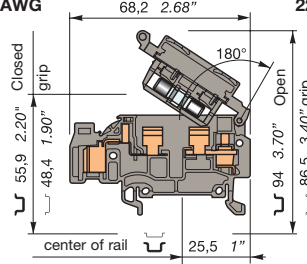
ADO - Screw clamp

↳ DIN 3

D 4/8.SF.I.ADO

Spacing 8 mm +0,05 .315"
ADO side
0,34 - 1,5 mm²
22 - 16 AWG

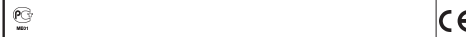
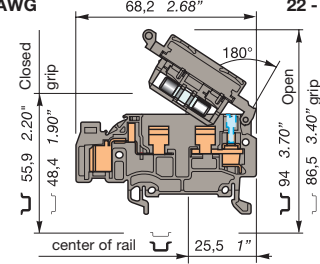
Screw side
0,2 - 4 mm²
22 - 10 AWG



D 4/8.SFT2.I.ADO

Spacing 8 mm +0,05 .315"
ADO side
0,34 - 1,5 mm²
22 - 16 AWG

Screw side
0,2 - 4 mm²
22 - 10 AWG



Color	Type	Part numbers
Grey	D 4/8.SF.I.ADO	1SNA 399 785 R0300
Orange	D 4/8.SF.I.ADO	1SNA 399 786 R0400

Color	Type	Part number
Grey	D 4/8.SFT2.I.ADO	1SNA 399 777 R1200

Characteristics

Wire size	Wire size		
	IEC	UL	CSA
Screw	Rigid	0,2-4 mm ²	22-10 AWG
	Flexible	0,22-4 mm ²	22-10 AWG
ADO	Rigid	0,34-1,5 mm ²	22-16 AWG
	Flexible	0,34-1,5 mm ²	22-16 AWG

Characteristics

Wire size	Wire size		
	IEC	UL	CSA
Screw	Rigid	0,2-4 mm ²	22-10 AWG
	Flexible	0,22-4 mm ²	22-10 AWG
ADO	Rigid	0,34-1,5 mm ²	22-16 AWG
	Flexible	0,34-1,5 mm ²	22-16 AWG

Voltage			
Rated	630 V (1)	600 V (1)	600 V (1)
Impulse withstand	8 kV		
Pollution degree	3		

Voltage			
Rated	630 V (1)	600 V (1)	600 V (1)
Impulse withstand	8 kV		
Pollution degree	3		

Current			
Rated	6,3 A	10 A	10 A

Current			
NoRatedminale	6,3 A	10 A	10 A

Wire size			
Rated	1,5 mm ²	10/16 AWG	10/16 AWG
Wire stripping length (screw)	Recommended screwdriver	Recommended torque (screw)	Protection
9,5 mm	4 mm	0,5-0,8 Nm	IP 20
.37"	.16"	4.4-7.1 lb.in	NEMA 1

Section			
Rated	1,5 mm ²	10/16 AWG	10/16 AWG
Wire stripping length (screw)	Recommended screwdriver	Recommended torque (screw)	Protection
9,5 mm	4 mm	0,5-0,8 Nm	IP 20
.37"	.16"	4.4-7.1 lb.in	NEMA 1

End stop	th. 9 mm	BADL	V0	1SNA 399 903 R0200
End stop	th. 10 mm	BAM2	V2	1SNA 206 351 R1600
End stop	th. 10 mm	BAM2 V0	V0	1SNA 399 967 R0100
Rail	35 x 7,5 x 1	PR3.Z2		1SNA 174 300 R1700
Rail	35 x 15 x 2,3	PR4		1SNA 168 500 R1200
Rail	35 x 15 x 1,5	PR5		1SNA 168 700 R2200

Other end stops, rails and accessories : see section on accessories.

Notes

Standard block 8 mm. For multiple wires connections, the two wires need to be of the same gage and nature (rigid or flexible). Terminal block body material is UL 94 V0.

All switch terminal blocks offer a test point (DIA. 2 mm or DIA 2.3 mm on block D 4/6.SNT23.ADO) on the ADO side of the block.

Accessories

Type	Part numbers
1 End section grey	FEDAD10 th. 1,5 mm 1SNA 399 758 R2700
2 Test plug	FC2 V2 DIA. 2 mm 1SNA 007 865 R2600
3 Comb-type jumper bar	PC81 V2 35A 10 poles 1SNA 173 523 R1100
4 IDC jumper	AD2,5 V2 24A 1SNA 114 205 R2000
5 Assembly rod	TGA8 2 poles 1SNA 168 672 R1100
	TGA8 3 poles 1SNA 168 673 R1200
	TGA8 4 poles 1SNA 168 674 R1300
6 Assembly ring	ANT 1SNA 168 675 R1400
7 5x20 fuses - 250 V	FU520 0,5A 1SNA 008 288 R1500
	FU520 1A 1SNA 008 290 R1300
	FU520 2A 1SNA 008 291 R0000
	FU520 3,15A 1SNA 008 289 R1600
	FU520 5A 1SNA 008 292 R0100
5x25 fuses - 250 V	FU525 1,6A 1SNA 167 546 R2200
	FU525 2A 1SNA 167 547 R2300
	FU525 2,5A 1SNA 167 548 R0400
	FU525 4A 1SNA 167 549 R0500
	FU525 6,3A 1SNA 167 550 R0200
8 Hand tool kit	OUMAD 1SNA 179 466 R0600
9 Semi automatic kit	OUPAD 1SNA 178 944 R0400
10 Pneumatic tool kit	OUTAD 1SNA 205 710 R1100
11 Replacement head kit	OUTA 1SNA 205 284 R0300
12 Extraction tool kit	EXAD2 1SNA 205 721 R0000
13 Test connector	CEADO.8 1SNA 399 348 R2400
	CEADOE 1SNA 399 341 R1500

Type	Part numbers
FEDAD10 th. 1,5 mm	1SNA 399 758 R2700
FC2 V2 DIA. 2 mm	1SNA 007 865 R2600
PC81 V2 35A 10 poles	1SNA 173 523 R1100
AD2,5 V2 24A	1SNA 114 205 R2000
TGA8 2 poles	1SNA 168 672 R1100
TGA8 3 poles	1SNA 168 673 R1200
TGA8 4 poles	1SNA 168 674 R1300
ANT	1SNA 168 675 R1400
FU520 0,5A	1SNA 008 288 R1500
FU520 1A	1SNA 008 290 R1300
FU520 2A	1SNA 008 291 R0000
FU520 3,15A	1SNA 008 289 R1600
FU520 5A	1SNA 008 292 R0100
FU525 1,6A	1SNA 167 546 R2200
FU525 2A	1SNA 167 547 R2300
FU525 2,5A	1SNA 167 548 R0400
FU525 4A	1SNA 167 549 R0500
FU525 6,3A	1SNA 167 550 R0200
OUMAD	1SNA 179 466 R0600
OUPAD	1SNA 178 944 R0400
OUTAD	1SNA 205 710 R1100
OUTA	1SNA 205 284 R0300
EXAD2	1SNA 205 721 R0000
CEADO.8	1SNA 399 348 R2400
CEADOE	1SNA 399 341 R1500

Terminal blocks Insulation Displacement



Fuses block for 5 x 20 mm and 5 x 25 mm

Open in the opposite direction

ADO - Screw clamp

DIN 1 - 3

End stop	th. 9 mm	BADL	V0	1SNA 399 903 R0200
End stop	th. 10 mm	BAM2	V2	1SNA 206 351 R1600
End stop	th. 10 mm	BAM2 V0	V0	1SNA 399 967 R0100
Rail	35 x 7,5 x 1	PR3.Z2		1SNA 174 300 R1700
Rail	35 x 15 x 2,3	PR4		1SNA 168 500 R1200
Rail	35 x 15 x 1,5	PR5		1SNA 168 700 R2200

Other end stops, rails and accessories : see section on accessories.

Notes

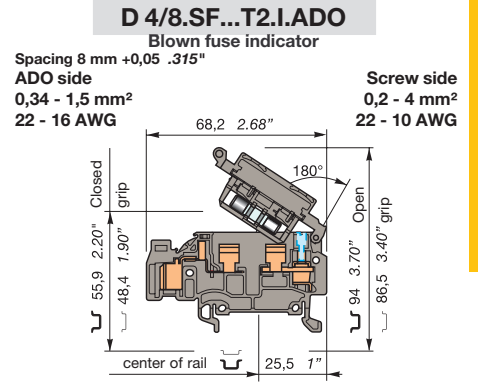
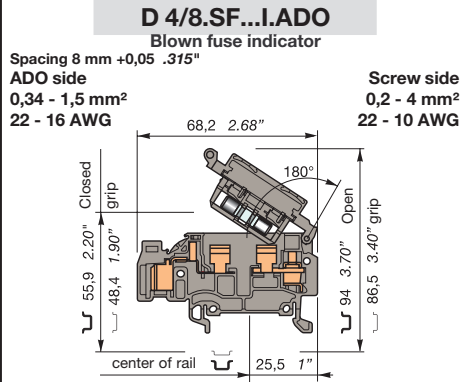
Standard bloc 8 mm. For multiple wires connections, the two wires need to be of the same gage and nature (rigid or flexible). Terminal block body material is UL 94 V0.

All switch terminal blocks offer a test point (DIA. 2 mm or DIA 2.3 mm on block D 4/6.SNT23.ADO) on the ADO side of the block.

Accessories

	1 End section	grey
	2 Test plug	
	3 Comb-type jumper bar	
	4 IDC jumper	
	5 Assembly rod	
	6 Assembly ring	
	7 5x20 fuses - 250 V	
	8 Hand tool kit	
	9 Semi automatic kit	
	10 Pneumatic tool kit	
	11 Replacement head kit	
	12 Extraction tool kit	
	13 Test connector	

R See section on marking
Marking method



Colour	Type	Part numbers
Grey (1)	D 4/8.SFL.I.ADO	1SNA 399 780 R1200
Grey (2)	D 4/8.SFD.I.ADO	1SNA 399 781 R0700
Grey (3)	D 4/8.SFD1.I.ADO	1SNA 399 783 R0100

Colour	Type	Part numbers
Grey (1)	D 4/8.SFLT2.I.ADO	1SNA 399 856 R0200
Grey (2)	D 4/8.SFDT2.I.ADO	1SNA 399 782 R0000
Grey (3)	D 4/8.SFD1T2.I.ADO	1SNA 399 784 R0200

Characteristics

Wire size	IEC			UL		CSA	
	NFC	DIN	pending	pending	pending	pending	pending
Screw	Rigid	0,2-4 mm²	22-10 AWG	22-10 AWG	22-10 AWG	22-10 AWG	22-10 AWG
	Flexible	0,22-4 mm²	22-10 AWG	22-10 AWG	22-10 AWG	22-10 AWG	22-10 AWG
ADO	Rigid	0,34-1,5 mm²	22-16 AWG	22-16 AWG	22-16 AWG	22-16 AWG	22-16 AWG
	Flexible	0,34-1,5 mm²	22-16 AWG	22-16 AWG	22-16 AWG	22-16 AWG	22-16 AWG

Characteristics

Wire size	IEC			UL		CSA	
	NFC	DIN	pending	pending	pending	pending	pending
Screw	Rigid	0,2-4 mm²	22-10 AWG	22-10 AWG	22-10 AWG	22-10 AWG	22-10 AWG
	Flexible	0,22-4 mm²	22-10 AWG	22-10 AWG	22-10 AWG	22-10 AWG	22-10 AWG
ADO	Rigid	0,34-1,5 mm²	22-16 AWG	22-16 AWG	22-16 AWG	22-16 AWG	22-16 AWG
	Flexible	0,34-1,5 mm²	22-16 AWG	22-16 AWG	22-16 AWG	22-16 AWG	22-16 AWG

Voltage

Rated	500 V	600 V	600 V
Impulse withstand	6 kV		
Pollution degree	3		

Voltage

Rated	500 V	600 V	600 V
Impulse withstand	6 kV		
Pollution degree	3		

Current

Rated	6,3 A	10 A	10 A
-------	-------	------	------

Current

Rated	6,3 A	10 A	10 A
-------	-------	------	------

Wire size

Rated / Gauge	1,5 mm²	10/16 AWG	10/16 AWG
Wire stripping length	Recommended screwdriver	Recommended torque	protection
9,5 mm	4 mm	0,5-0,8 Nm	IP 20
.37"	.16"	4.4-7.1 lb.in	NEMA 1

Wire size

Rated / Gauge	1,5 mm²	10/16 AWG	10/16 AWG
Wire stripping length	Recommended screwdriver	Recommended torque	protection
9,5 mm	4 mm	0,5-0,8 Nm	IP 20
.37"	.16"	4.4-7.1 lb.in	NEMA 1

Type	Part numbers
FEDAD10	th. 1,5 mm 1SNA 399 758 R2700
FC2	DIA. 2 mm 1SNA 007 865 R2600
PC81	35 A 10 poles 1SNA 173 523 R1100
AD2,5	24 A 1SNA 114 205 R2000
TGA8	2 poles 1SNA 168 672 R1100
TGA8	3 poles 1SNA 168 673 R1200
TGA8	4 poles 1SNA 168 674 R1300
ANT	1SNA 168 675 R1400
FU520	0,5 A 1SNA 008 288 R1500
FU520	1 A 1SNA 008 290 R1300
FU520	2 A 1SNA 008 291 R0000
FU520	3,15 A 1SNA 008 289 R1600
FU520	5 A 1SNA 008 292 R0100
FU525	1,6 A 1SNA 167 546 R2200
FU525	2 A 1SNA 167 547 R2300
FU525	2,5 A 1SNA 167 548 R0400
FU525	4 A 1SNA 167 549 R0500
FU525	6,3 A 1SNA 167 550 R0200
OUMAD	1SNA 179 466 R0600
OUPAD	1SNA 178 944 R0400
OUTAD	1SNA 205 710 R1100
OUTA	1SNA 205 284 R0300
EXAD2	1SNA 205 721 R0000
CEADO.8	1SNA 399 348 R2400
CEADOE	1SNA 399 341 R1500

Type	Part numbers
FEDAD10	th. 1,5 mm 1SNA 399 758 R2700
FC2	DIA. 2 mm 1SNA 007 865 R2600
PC81	35 A 10 poles 1SNA 173 523 R1100
AD2,5	24 A 1SNA 114 205 R2000
TGA8	2 poles 1SNA 168 672 R1100
TGA8	3 poles 1SNA 168 673 R1200
TGA8	4 poles 1SNA 168 674 R1300
ANT	1SNA 168 675 R1400
FU520	0,5 A 1SNA 008 288 R1500
FU520	1 A 1SNA 008 290 R1300
FU520	2 A 1SNA 008 291 R0000
FU520	3,15 A 1SNA 008 289 R1600
FU520	5 A 1SNA 008 292 R0100
FU525	1,6 A 1SNA 167 546 R2200
FU525	2 A 1SNA 167 547 R2300
FU525	2,5 A 1SNA 167 548 R0400
FU525	4 A 1SNA 167 549 R0500
FU525	6,3 A 1SNA 167 550 R0200
OUMAD	1SNA 179 466 R0600
OUPAD	1SNA 178 944 R0400
OUTAD	1SNA 205 710 R1100
OUTA	1SNA 205 284 R0300
EXAD2	1SNA 205 721 R0000
CEADO.8	1SNA 399 348 R2400
CEADOE	1SNA 399 341 R1500

- (1) Blown-fuse indicator by 110 V - 230 V neon lamp (leakage current with neon lamp < 0,5 mA (110 V) - < 0,7 mA (230 V)).
- (2) Blown-fuse indicator by LED 24 V (+24V labeled) (leakage current with LED 24 V or 48 V < 4,5 mA).
- (3) Blown-fuse indicator by LED 48 V (+48V labeled) (leakage current with LED 24 V or 48 V < 4,5 mA).

RC810	RCAL85	RC610 on grip
-------	--------	---------------

RC810	RCAL85	RC610 on grip
-------	--------	---------------

Terminal blocks Insulation Displacement



Fuse blocks for
5 x 20 mm and 5 x 25 mm fuses

Open in the opposite direction

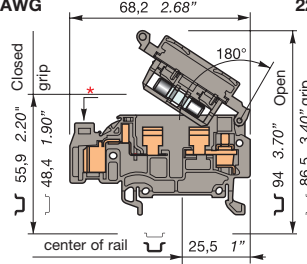
ADO - Screw clamp

DIN 3

D 4/8.SF.I.ADO2

Spacing 8 mm +0,05 .315"
ADO side
1 - 2,5 mm²
16 - 14 AWG

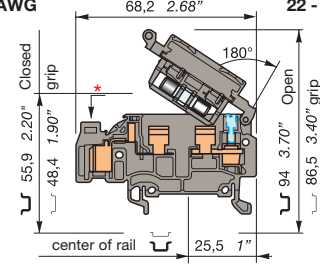
Screw side
0,2 - 4 mm²
22 - 10 AWG



D 4/8.SFT2.I.ADO2

Spacing 8 mm +0,05 .315"
ADO side
1 - 2,5 mm²
16 - 14 AWG

Screw side
0,2 - 4 mm²
22 - 10 AWG



Color	Type	Part numbers
Grey	<input type="checkbox"/> D 4/8.SF.I.ADO2	1SNA 399 763 R1400
Orange	<input type="checkbox"/> D 4/8.SF.I.ADO2	1SNA 399 764 R1500

Color	Type	Part number
With DIA. 2 mm screw test socket for test on screw side.		
Grey	<input type="checkbox"/> D 4/8.SFT2.I.ADO2	1SNA 399 762 R1300

Characteristics				
Wire size		IEC	UL	CSA
		NFC DIN	pending	pending
Screw	Rigid	0,2-4 mm ²	22-10 AWG	22-10 AWG
	Flexible	0,22-4 mm ²	22-10 AWG	22-10 AWG
ADO	Rigid	1-2,5 mm ²	16-14 AWG	16-14 AWG
	Flexible	1-2,5 mm ²	16-14 AWG	16-14 AWG

Characteristics				
Wire size		IEC	UL	CSA
		NFC DIN	pending	pending
Screw	Rigid	0,2-4 mm ²	22-10 AWG	22-10 AWG
	Flexible	0,22-4 mm ²	22-10 AWG	22-10 AWG
ADO	Rigid	1-2,5 mm ²	16-14 AWG	16-14 AWG
	Flexible	1-2,5 mm ²	16-14 AWG	16-14 AWG

End stop	th. 9 mm	BADL	V0	1SNA 399 903 R0200
End stop	th. 10 mm	BAM2	V2	1SNA 206 351 R1600
End stop	th. 10 mm	BAM2 V0	V0	1SNA 399 967 R0100
Rail	35 x 7,5 x 1	PR3.Z2		1SNA 174 300 R1700
Rail	35 x 15 x 2,3	PR4		1SNA 168 500 R1200
Rail	35 x 15 x 1,5	PR5		1SNA 168 700 R2200

Other end stops, rails and accessories : see section on accessories.

Notes

Standard block 8 mm. For multiple wires connections, the two wires need to be of the same gage and nature (rigid or flexible). Terminal block body material is UL 94 V0.

All switch terminal blocks offer a test point (DIA. 2 mm or DIA 2.3 mm on block D 4/6.SNT23.ADO) on the ADO side of the block.

* - Black marking + 2notches for wire size 1 - 2,5 mm² (16 - 14 AWG)

Voltage			
Rated	630 V (1)	600 V (1)	600 V (1)
Impulse withstand	8 kV		
Pollution degree	3		

Voltage			
Rated	630 V (1)	600 V (1)	600 V (1)
Impulse withstand	8 kV		
Pollution degree	3		

Current			
Rated	6,3 A	10 A	10 A

Current			
Rated	6,3 A	10 A	10 A

Wire size			
Rated	1,5 mm ²	10/14 AWG	10/14 AWG
Wire stripping length (screw)	Recommended screwdriver	Recommended torque (screw)	Protection
	9,5 mm .37"	4 mm .16"	0,5-0,8 Nm 4.4-7.1 lb.in NEMA 1

Section			
Rated	1,5 mm ²	10/14 AWG	10/14 AWG
Wire stripping length (screw)	Recommended screwdriver	Recommended torque (screw)	Protection
	9,5 mm .37"	4 mm .16"	0,5-0,8 Nm 4.4-7.1 lb.in NEMA 1

Accessories

	1 End section grey	FEDAD10	th. 1,5 mm	1SNA 399 758 R2700
	2 Test plug	FC2	V2 DIA. 2 mm	1SNA 007 865 R2600
	3 Comb-type jumper bar	PC81	V2 35 A 10 poles	1SNA 173 523 R1100
	4 IDC jumper	AD2,5	V2 24 A	1SNA 114 205 R2000
	5 Assembly rod	TGA8	2 poles	1SNA 168 672 R1100
	6 Assembly ring	TGA8	3 poles	1SNA 168 673 R1200
	7 5x20 fuses - 250 V	TGA8	4 poles	1SNA 168 674 R1300
	8 Hand tool kit	ANT		1SNA 168 675 R1400
	9 Semi automatic kit	FU520	0,5 A	1SNA 008 288 R1500
	10 Pneumatic tool kit	FU520	1 A	1SNA 008 290 R1300
	11 Replacement head kit	FU520	2 A	1SNA 008 291 R0000
	12 Extraction tool kit	FU520	3,15 A	1SNA 008 289 R1600
		FU520	5 A	1SNA 008 292 R0100
		FU525	1,6 A	1SNA 167 546 R2200
		FU525	2 A	1SNA 167 547 R2300
		FU525	2,5 A	1SNA 167 548 R0400
		FU525	4 A	1SNA 167 549 R0500
		FU525	6,3 A	1SNA 167 550 R0200
		OUMAD		1SNA 179 466 R0600
		OUPAD		1SNA 178 944 R0400
		OUTAD		1SNA 205 710 R1100
		OUTA		1SNA 205 284 R0300
		EXAD2		1SNA 205 721 R0000

	1 End section grey	FEDAD10	th. 1,5 mm	1SNA 399 758 R2700
	2 Test plug	FC2	V2 DIA. 2 mm	1SNA 007 865 R2600
	3 Comb-type jumper bar	PC81	V2 35 A 10 poles	1SNA 173 523 R1100
	4 IDC jumper	AD2,5	V2 24 A	1SNA 114 205 R2000
	5 Assembly rod	TGA8	2 poles	1SNA 168 672 R1100
	6 Assembly ring	TGA8	3 poles	1SNA 168 673 R1200
	7 5x20 fuses - 250 V	TGA8	4 poles	1SNA 168 674 R1300
	8 Hand tool kit	ANT		1SNA 168 675 R1400
	9 Semi automatic kit	FU520	0,5 A	1SNA 008 288 R1500
	10 Pneumatic tool kit	FU520	1 A	1SNA 008 290 R1300
	11 Replacement head kit	FU520	2 A	1SNA 008 291 R0000
	12 Extraction tool kit	FU520	3,15 A	1SNA 008 289 R1600
		FU520	5 A	1SNA 008 292 R0100
		FU525	1,6 A	1SNA 167 546 R2200
		FU525	2 A	1SNA 167 547 R2300
		FU525	2,5 A	1SNA 167 548 R0400
		FU525	4 A	1SNA 167 549 R0500
		FU525	6,3 A	1SNA 167 550 R0200
		OUMAD		1SNA 179 466 R0600
		OUPAD		1SNA 178 944 R0400
		OUTAD		1SNA 205 710 R1100
		OUTA		1SNA 205 284 R0300
		EXAD2		1SNA 205 721 R0000

	1 End section grey	FEDAD10	th. 1,5 mm	1SNA 399 758 R2700
	2 Test plug	FC2	V2 DIA. 2 mm	1SNA 007 865 R2600
	3 Comb-type jumper bar	PC81	V2 35 A 10 poles	1SNA 173 523 R1100
	4 IDC jumper	AD2,5	V2 24 A	1SNA 114 205 R2000
	5 Assembly rod	TGA8	2 poles	1SNA 168 672 R1100
	6 Assembly ring	TGA8	3 poles	1SNA 168 673 R1200
	7 5x20 fuses - 250 V	TGA8	4 poles	1SNA 168 674 R1300
	8 Hand tool kit	ANT		1SNA 168 675 R1400
	9 Semi automatic kit	FU520	0,5 A	1SNA 008 288 R1500
	10 Pneumatic tool kit	FU520	1 A	1SNA 008 290 R1300
	11 Replacement head kit	FU520	2 A	1SNA 008 291 R0000
	12 Extraction tool kit	FU520	3,15 A	1SNA 008 289 R1600
		FU520	5 A	1SNA 008 292 R0100
		FU525	1,6 A	1SNA 167 546 R2200
		FU525	2 A	1SNA 167 547 R2300
		FU525	2,5 A	1SNA 167 548 R0400
		FU525	4 A	1SNA 167 549 R0500
		FU525	6,3 A	1SNA 167 550 R0200
		OUMAD		1SNA 179 466 R0600
		OUPAD		1SNA 178 944 R0400
		OUTAD		1SNA 205 710 R1100
		OUTA		1SNA 205 284 R0300
		EXAD2		1SNA 205 721 R0000

R See section on marking
Marking method

RC810 RCAL85 RC610 on grip
(1) Terminal block insulation voltage.
Working voltage according to fuse.

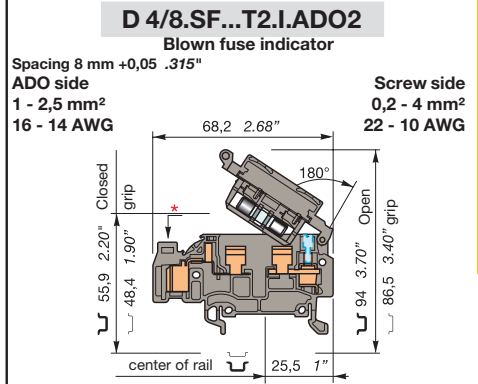
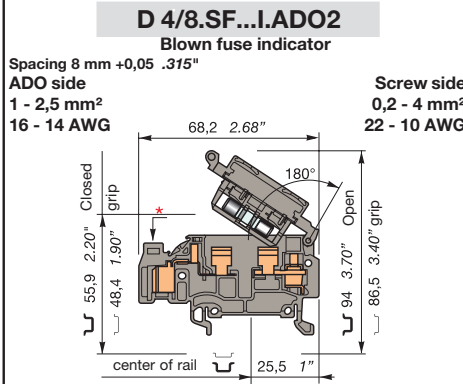
RC810 RCAL85 RC610 on grip

Terminal blocks Insulation Displacement



Fuse blocks for
5 x 20 mm and 5 x 25 mm fuses
Open in the opposite direction
ADO - Screw clamp

↳ DIN 3



Color	Type	Part numbers
Grey (1)	<input type="checkbox"/> D 4/8.SFL.I.ADO2	1SNA 399 767 R1000
Grey (2)	<input type="checkbox"/> D 4/8.SFD.I.ADO2	1SNA 399 769 R2200
Grey (3)	<input type="checkbox"/> D 4/8.SFD1.I.ADO	1SNA 399 771 R1400

Color	Type	Part number
With DIA. 2 mm screw test socket for test on screw side.		
Grey (1)	<input type="checkbox"/> D 4/8.SFLT2.I.ADO2	1SNA 399 768 R2100
Grey (2)	<input type="checkbox"/> D 4/8.SFDT2.I.ADO2	1SNA 399 770 R2700
Grey (3)	<input type="checkbox"/> D 4/8.SFD1T2.I.ADO2	1SNA 399 772 R1500

Characteristics				
Wire size		IEC	UL	CSA
		NFC DIN	pending	pending
Screw	Rigid	0,2-4 mm ²	22-10 AWG	22-10 AWG
	Flexible	0,22-4 mm ²	22-10 AWG	22-10 AWG
ADO	Rigid	1-2,5 mm ²	16-14 AWG	16-14 AWG
	Flexible	1-2,5 mm ²	16-14 AWG	16-14 AWG

Characteristics				
Wire size		IEC	UL	CSA
		NFC DIN	pending	pending
Screw	Rigid	0,2-4 mm ²	22-10 AWG	22-10 AWG
	Flexible	0,22-4 mm ²	22-10 AWG	22-10 AWG
ADO	Rigid	1-2,5 mm ²	16-14 AWG	16-14 AWG
	Flexible	1-2,5 mm ²	16-14 AWG	16-14 AWG

End stop		th. 9 mm	BADL	V0	1SNA 399 903 R0200
End stop		th. 10 mm	BAM2	V2	1SNA 206 351 R1600
End stop		th. 10 mm	BAM2 V0	V0	1SNA 399 967 R0100
Rail		35 x 7,5 x 1	PR3.Z2		1SNA 174 300 R1700
Rail		35 x 15 x 2,3	PR4		1SNA 168 500 R1200
Rail		35 x 15 x 1,5	PR5		1SNA 168 700 R2200

Other end stops, rails and accessories : see section on accessories.

Notes

Standard block 8 mm. For multiple wires connections, the two wires need to be of the same gage and nature (rigid or flexible). Terminal block body material is UL 94 V0.

All switch terminal blocks offer a test point (DIA. 2 mm or DIA 2.3 mm on block D 4/6.SNT23.ADO) on the ADO side of the block.

* - Black marking + 2 notches for wire size 1 - 2,5 mm² (16 - 14 AWG)

Voltage			
Rated	500 V (1)	600 V (1)	600 V (1)
Impulse withstand	6 kV		
Pollution degree	3		

Voltage			
Rated	500 V (1)	600 V (1)	600 V (1)
Impulse withstand	6 kV		
Pollution degree	3		

Current			
Rated	6,3 A	10 A	10 A

Current			
Rated	6,3 A	10 A	10 A

Wire size				
Rated	2,5 mm ²	10/14 AWG	10/14 AWG	
Wire stripping length (screw)	Recommended screwdriver	Recommended torque (screw)	Protection	
				9,5 mm
	.37"	.16"	4.4-7.1 lb.in	NEMA 1

Section				
Rated	2,5 mm ²	10/14 AWG	10/14 AWG	
Wire stripping length (screw)	Recommended screwdriver	Recommended torque (screw)	Protection	
				9,5 mm
	.37"	.16"	4.4-7.1 lb.in	NEMA 1

Accessories

Type	Part numbers
1 End section grey	FEDAD10 th. 1,5 mm 1SNA 399 758 R2700
2 Test plug	FC2 V2 DIA. 2 mm 1SNA 007 865 R2600
3 Comb-type jumper bar	PC81 V2 35 A 10 poles 1SNA 173 523 R1100
4 IDC jumper	AD2,5 V2 24 A 1SNA 114 205 R2000
5 Assembly rod	TGA8 2 poles 1SNA 168 672 R1100
	TGA8 3 poles 1SNA 168 673 R1200
	TGA8 4 poles 1SNA 168 674 R1300
6 Assembly ring	ANT 1SNA 168 675 R1400
7 5x20 fuses - 250 V	FU520 0,5 A 1SNA 008 288 R1500
	FU520 1 A 1SNA 008 290 R1300
	FU520 2 A 1SNA 008 291 R0000
	FU520 3,15 A 1SNA 008 289 R1600
	FU520 5 A 1SNA 008 292 R0100
5x25 fuses - 250 V	FU525 1,6 A 1SNA 167 546 R2200
	FU525 2 A 1SNA 167 547 R2300
	FU525 2,5 A 1SNA 167 548 R0400
	FU525 4 A 1SNA 167 549 R0500
	FU525 6,3 A 1SNA 167 550 R0200
8 Hand tool kit	OUMAD 1SNA 179 466 R0600
9 Semi automatic kit	OUPAD 1SNA 178 944 R0400
10 Pneumatic tool kit	OUTAD 1SNA 205 710 R1100
11 Replacement head kit	OUTA 1SNA 205 284 R0300
12 Extraction tool kit	EXAD2 1SNA 205 721 R0000

Type	Part numbers
FEDAD10 th. 1,5 mm	1SNA 399 758 R2700
FC2 V2 DIA. 2 mm	1SNA 007 865 R2600
PC81 V2 35 A 10 poles	1SNA 173 523 R1100
AD2,5 V2 24 A	1SNA 114 205 R2000
TGA8 2 poles	1SNA 168 672 R1100
TGA8 3 poles	1SNA 168 673 R1200
TGA8 4 poles	1SNA 168 674 R1300
ANT	1SNA 168 675 R1400
FU520 0,5 A	1SNA 008 288 R1500
FU520 1 A	1SNA 008 290 R1300
FU520 2 A	1SNA 008 291 R0000
FU520 3,15 A	1SNA 008 289 R1600
FU520 5 A	1SNA 008 292 R0100
FU525 1,6 A	1SNA 167 546 R2200
FU525 2 A	1SNA 167 547 R2300
FU525 2,5 A	1SNA 167 548 R0400
FU525 4 A	1SNA 167 549 R0500
FU525 6,3 A	1SNA 167 550 R0200
OUMAD	1SNA 179 466 R0600
OUPAD	1SNA 178 944 R0400
OUTAD	1SNA 205 710 R1100
OUTA	1SNA 205 284 R0300
EXAD2	1SNA 205 721 R0000

Type	Part numbers
FEDAD10 th. 1,5 mm	1SNA 399 758 R2700
FC2 V2 DIA. 2 mm	1SNA 007 865 R2600
PC81 V2 35 A 10 poles	1SNA 173 523 R1100
AD2,5 V2 24 A	1SNA 114 205 R2000
TGA8 2 poles	1SNA 168 672 R1100
TGA8 3 poles	1SNA 168 673 R1200
TGA8 4 poles	1SNA 168 674 R1300
ANT	1SNA 168 675 R1400
FU520 0,5 A	1SNA 008 288 R1500
FU520 1 A	1SNA 008 290 R1300
FU520 2 A	1SNA 008 291 R0000
FU520 3,15 A	1SNA 008 289 R1600
FU520 5 A	1SNA 008 292 R0100
FU525 1,6 A	1SNA 167 546 R2200
FU525 2 A	1SNA 167 547 R2300
FU525 2,5 A	1SNA 167 548 R0400
FU525 4 A	1SNA 167 549 R0500
FU525 6,3 A	1SNA 167 550 R0200
OUMAD	1SNA 179 466 R0600
OUPAD	1SNA 178 944 R0400
OUTAD	1SNA 205 710 R1100
OUTA	1SNA 205 284 R0300
EXAD2	1SNA 205 721 R0000

- (1) Blown-fuse indicator by 110 V - 230 V neon lamp (leakage current with neon lamp < 0,5 mA (110 V) - < 0,7 mA (230 V)).
- (2) Blown-fuse indicator by LED 24 V (+24V labeled) (leakage current with LED 24 V or 48 V < 4,5 mA).
- (3) Blown-fuse indicator by LED 48 V (+48V labeled) (leakage current with LED 24 V or 48 V < 4,5 mA).

R See section on marking
Marking method

RC810 RCAL85 RC610 on grip

RC810 RCAL85 RC610 on grip

(1) Terminal block insulation voltage.
Working voltage according to fuse.

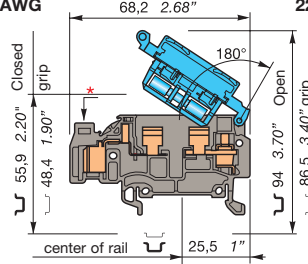
Terminal blocks
Insulation
Displacement
"Neutral" switch block
Open in the opposite direction
ADO - Screw clamp
 ┌ DIN 3



D 4/8.SNN.I.ADO2

Spacing 8 mm +0,05 .315"
 ADO side
 1 - 2,5 mm²
 16 - 14 AWG

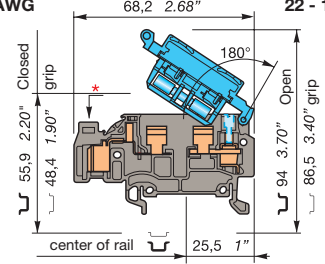
Screw side
 0,2 - 4 mm²
 22 - 10 AWG



D 4/8.SNNT2.I.ADO2

Spacing 8 mm +0,05 .315"
 ADO side
 1 - 2,5 mm²
 16 - 14 AWG

Screw side
 0,2 - 4 mm²
 22 - 10 AWG



End stop		th. 9 mm	BADL	V0	1SNA 399 903 R0200
End stop		th. 10 mm	BAM2	V2	1SNA 206 351 R1600
End stop		th. 10 mm	BAM2 V0	V0	1SNA 399 967 R0100
Rail		35 x 7,5 x 1	PR3.Z2		1SNA 174 300 R1700
Rail		35 x 15 x 2,3	PR4		1SNA 168 500 R1200
Rail		35 x 15 x 1,5	PR5		1SNA 168 700 R2200

Other end stops, rails and accessories : see section on accessories.

Notes

Standard block 8 mm. For multiple wires connections, the two wires need to be of the same gage and nature (rigid or flexible). Terminal block body material is UL 94 V0.

All switch terminal blocks offer a test point (DIA. 2 mm or DIA 2.3 mm on block D 4/6.SNT23.ADO) on the ADO side of the block.

* - Black marking + 2 notches for wire size 1 - 2,5 mm² (16 - 14 AWG)

Accessories

	1 End section	grey
	2 Test plug	
	3 Comb-type jumper bar	
	4 IDC jumper	
	5 Assembly rod	
	6 Assembly ring	
	7 Hand tool kit	
	8 Semi automatic tool	
	9 Pneumatic tool kit	
	10 Replacement head kit	
	11 Extraction tool kit	
	R See section on markers	Marking method



Color	Type	Part number
Grey body / Blue grip		
	D 4/8.SNN.I.ADO2	1SNA 399 765 R1600

Characteristics				
Wire size		IEC	UL	CSA
		NFC DIN	pending	pending
Screw	Rigid	0,2-4 mm ²	22-10 AWG	22-10 AWG
	Flexible	0,22-4 mm ²	22-10 AWG	22-10 AWG
ADO	Rigid	1-2,5 mm ²	16-14 AWG	16-14 AWG
	Flexible	1-2,5 mm ²	16-14 AWG	16-14 AWG

Voltage			
Rated	630 V	600 V	600 V
Impulse withstand	8 kV		
Pollution degree	3		

Current			
Rated	6,3 A	10 A	10 A

Wire size			
Rated	1,5 mm ²	10/14 AWG	10/14 AWG
Wire stripping length (screw)	Recommended screwdriver	Recommended torque (screw)	Protection
9,5 mm	4 mm	0,5-0,8 Nm	IP 20
.37"	.16"	4.4-7.1 lb.in	NEMA 1



Color	Type	Part number
With DIA. 2 mm screw test socket for test on screw side. Grey body / Blue grip		
	D 4/8.SNNT2.I.ADO2	1SNA 399 766 R1700

Characteristics				
Wire size		IEC	UL	CSA
		NFC DIN	pending	pending
Screw	Rigid	0,2-4 mm ²	22-10 AWG	22-10 AWG
	Flexible	0,22-4 mm ²	22-10 AWG	22-10 AWG
ADO	Rigid	1-2,5 mm ²	16-14 AWG	16-14 AWG
	Flexible	1-2,5 mm ²	16-14 AWG	16-14 AWG

Voltage			
Rated	630 V	600 V	600 V
Impulse withstand	8 kV		
Pollution degree	3		

Current			
Rated	6,3 A	10 A	10 A

Section			
Rated	1,5 mm ²	10/14 AWG	10/14 AWG
Wire stripping length (screw)	Recommended screwdriver	Recommended torque (screw)	Protection
9,5 mm	4 mm	0,5-0,8 Nm	IP 20
.37"	.16"	4.4-7.1 lb.in	NEMA 1

Type	Part numbers		
FEDAD10	th. 1,5 mm	1SNA 399 758 R2700	
FC2	DIA. 2 mm	1SNA 007 865 R2600	
PCB1	35 A 10 poles	1SNA 173 523 R1100	
AD2,5	24 A	1SNA 114 205 R2000	
TGA8	2 poles	1SNA 168 672 R1100	
TGA8	3 poles	1SNA 168 673 R1200	
TGA8	4 poles	1SNA 168 674 R1300	
ANT		1SNA 168 675 R1400	
OUMAD		1SNA 179 466 R0600	
OUPAD		1SNA 178 944 R0400	
OUTAD		1SNA 205 710 R1100	
OUTA		1SNA 205 284 R0300	
EXAD2		1SNA 205 721 R0000	

Type	Part numbers		
FEDAD10	th. 1,5 mm	1SNA 399 758 R2700	
FC2	DIA. 2 mm	1SNA 007 865 R2600	
PCB1	35 A 10 poles	1SNA 173 523 R1100	
AD2,5	24 A	1SNA 114 205 R2000	
TGA8	2 poles	1SNA 168 672 R1100	
TGA8	3 poles	1SNA 168 673 R1200	
TGA8	4 poles	1SNA 168 674 R1300	
ANT		1SNA 168 675 R1400	
OUMAD		1SNA 179 466 R0600	
OUPAD		1SNA 178 944 R0400	
OUTAD		1SNA 205 710 R1100	
OUTA		1SNA 205 284 R0300	
EXAD2		1SNA 205 721 R0000	

**Terminal blocks
Insulation
Displacement**
with safety connection
ADO - Screw clamp
DIN 3

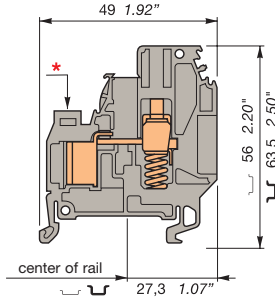


ADO side
1 - 2,5 mm²
16 - 14 AWG

Screw side
0,5 - 6 mm²
20 - 10 AWG

D 6/8.ADO.RS

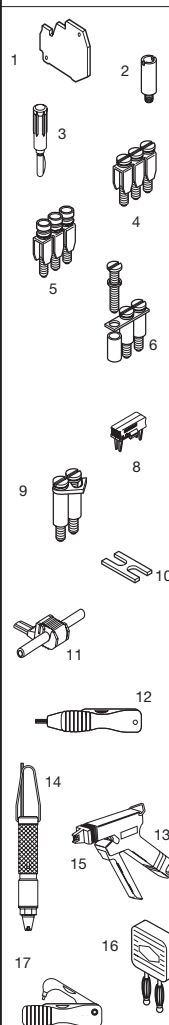
Spacing 8 mm +0,05 .315"



Screw clamp terminal for bare wire or equipped with bent lug and ADO wire size.

Colour	Type	Part numbers
Grey	<input type="checkbox"/> D 6/8.ADO.RS	1SNA 399 632 R0100

Accessories



- 1** End section grey
- 2** Test socket
- 3** Test plug
- 4** Assembled jumper bar (without IP20 protection)
- 5** Assembled jumper bar (with IP20 protection)
- 6** Jumper bar not assembled Post + screw + washer
- 8** Jumper bar
- 9** Pivoting jumper bar
- 10** Connector plate
- 11** IDC jumper
- 12** Hand tool kit
- 13** Semi-automatic tool
- 14** Pneumatic tool kit
- 15** Replacement head kit
- 16** Bridging plug
- 17** Extraction tool kit
- 18** Test connector

Type	Part number
FEADRS th. 3 mm	1SNA 296 079 R0300
AL2 (1) DIA. 2 mm	1SNA 163 043 R2100
AL3 (1) DIA. 3 mm	1SNA 163 261 R0000
AL4 (1) DIA. 4 mm	1SNA 163 240 R1700
FC2 (2) DIA. 2 mm	1SNA 007 865 R2600
FC4 (2) DIA. 4 mm	1SNA 167 860 R0100
BJM8 (1) 41 A 2 poles	1SNA 168 520 R0500
BJM8 (1) 41 A 3 poles	1SNA 168 521 R2200
BJM8 (1) 41 A 4 poles	1SNA 168 522 R2300
BJM8 (1) 41 A 5 poles	1SNA 168 523 R2400
BJM8 (1) 41 A 10 poles	1SNA 168 974 R0000
BJMI8 (1) 41 A 2 poles	1SNA 176 669 R1600
BJMI8 (1) 41 A 3 poles	1SNA 176 670 R1300
BJMI8 (1) 41 A 4 poles	1SNA 176 671 R0000
BJMI8 (1) 41 A 5 poles	1SNA 176 672 R0100
BJMI8 (1) 41 A 10 poles	1SNA 176 673 R0200
BJS8 41 A 20 poles	1SNA 174 789 R0500
EV6	1SNA 168 604 R1600
BJB	1SNA 199 466 R2300
BJP8 (1)(3) 50 A	1SNA 174 448 R0700
EL6 (3) 35 A	1SNA 173 627 R2100
AD2,5 24 A	1SNA 114 205 R2000
OUMAD	1SNA 179 466 R0600
OUPAD	1SNA 178 944 R0400
OUTAD	1SNA 205 710 R1100
OUTA	1SNA 205 284 R0300
BP8.A4 (with AL4)	1SNA 173 888 R2000
EXAD2	1SNA 205 721 R0000
CEADO.8	1SNA 399 348 R2400
CEADOE	1SNA 399 341 R1500

End stop	th. 9 mm	BADL	V0	1SNA 399 903 R0200
End stop	th. 10 mm	BAM2	V2	1SNA 206 351 R1600
End stop	th. 10 mm	BAM2 V0	V0	1SNA 399 967 R0100
Rail	35 x 7,5 x 1	PR3.Z2		1SNA 174 300 R1700
Rail	35 x 15 x 2,3	PR4		1SNA 168 500 R1200
Rail	35 x 15 x 1,5	PR5		1SNA 168 700 R2200

Other end stops, rails and accessories : see section on accessories.

Characteristics

Wire size		IEC	BS	UL/CSA
		NFC DIN	TS 50.18	
Screw	Rigid	0,5-10 mm ²		20-10 AWG
	Flexible	0,5-6 mm ²		20-10 AWG
	Lugs stranded		0,28-2,5 mm ²	
ADO	Rigid	1-2,5 mm ²		16-14 AWG
	Flexible	1-2,5 mm ²		16-14 AWG
Voltage				
Rated		800 V	500 V	600 V
Impulse withstand		8 kV		
Pollution degree		3		
Current				
Rated		24 A	25 A	20 A
Wire size				
Rated		2,5 mm ²		10/14 AWG
Wire stripping length (screw)	Recommended screwdriver	Recommended torque (screw)	Protection	
13 mm	4 - 5 mm	0,8-1 Nm	IP 20	
.51"	.157" - .197"	7.1-8.9 lb.in	NEMA 1	

Notes

The use of some accessories may decrease the block's voltage rating. For more information, consult us.
ADO side : permits connection of 2 wires max. of the same gage and nature.

* Black marking + 2 notches for wire size 1 - 2,5 mm² (16 - 14 AWG)

R See section on marking method

RTM7	RC 810	RCAL85
------	--------	--------

(1) 500 V (IEC) rated voltage with these accessories. (2) Forbidden under explosive atmosphere EEX usage. (3) Only certified for "i" security. (4) See "Notes".

Each screw-clamp holds 2 bent lugs, as above (not supplied), for connection of wires :
0,28 to 1,5 mm² / 1 to 2,5 mm²

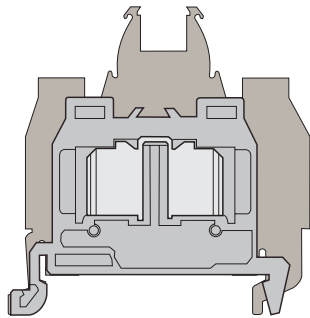
A = 4,45 to 7,45 for size 1
2,9 to 3,2 for size 2

Notes

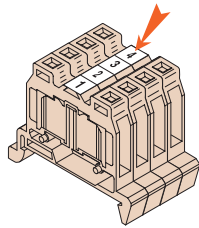


ADO MINI BLOCKS

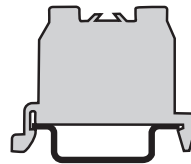
A reduced size range



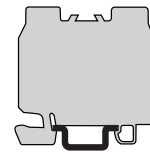
A very legible marking



Numerous mounting options
DIN Rail

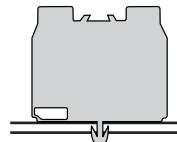


DS=DIN3

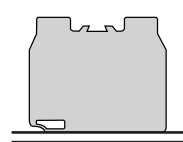


DR=DIN2

Plate



DH = snap-in



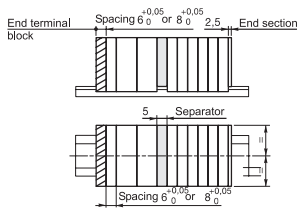
DB = base mount

ADO mini blocks use the same marking technique as standard ENTRELEC terminals, located on the top of the block.

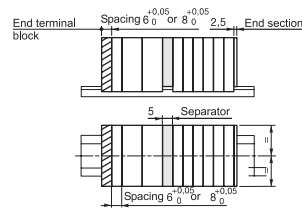
MINI BLOCKS ASSEMBLY AND ACCESSORIES

Rail mounted DIN 2 and DIN 3 :

DIN 3 : DS... ADO



DIN 2 : DR... ADO



At the end of the terminal blocks assembly :

- End section : (same accessory for any type of terminal block assembly)

FEAD1 : V/ADO End section to be mounted directly on the open part of the terminal block.
FEAD2 : ADO/ADO

- End terminal block :

DRE... ADO (DIN2) This terminal block has to be mounted at the end of the terminal blocks assembly : it reduces its size, because it suppresses the insulation rib (- 4 mm).
DSE... ADO (DIN3) **Nota : This terminal block cannot be accidentally located anywhere else into the terminal block assembly (without locking holes).**

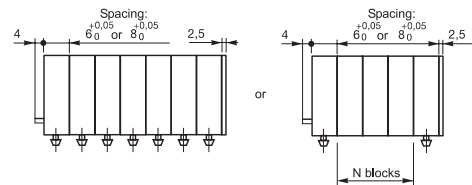
In the terminal blocks assembly :

- Separator : (same accessory for any type of terminal block assembly)

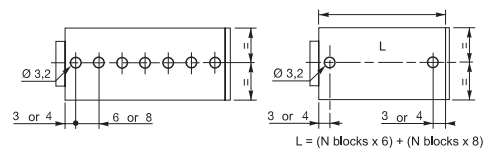
FEAD5 : V/ADO Accessory which snaps on the terminal blocks, separates and makes visible the different parts of the terminal blocks assembly.
FEAD6 : ADO/ADO

Panel mounted with snap in mounting foot :

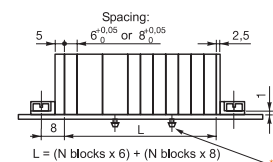
Snap in : DH... ADO



Drilling (plate thickness 0.6 mm to 1.2 mm) N blocks = 3 blocks max, with 6 mm spacing
2 blocks max, with 8 mm spacing



With screw mounting kit : DB... ADO



Drilling (plate thickness 0,6 to 1,2 mm)

2 holes Ø 3,2 for 3 mm screw max, with cylindrical head (not provided)

Intermediate mounting of DH blocks every 2 blocks (spacing 8mm) or 3 blocks (spacing 6 mm)

Miniblocks Insulation Displacement



ADO - Screw clamp DIN 3



refer to the section "Special Applications" for part numbers and characteristics.

End stop	th. 9 mm	BADL	V0	1SNA 399 903 R0200
End stop	th. 10 mm	BAM2	V2	1SNA 206 351 R1600
End stop	th. 10 mm	BAM2 V0	V0	1SNA 399 967 R0100
Rail	35 x 7,5 x 1	PR3.Z2		1SNA 174 300 R1700
Rail	35 x 15 x 2,3	PR4		1SNA 168 500 R1200
Rail	35 x 15 x 1,5	PR5		1SNA 168 700 R2200

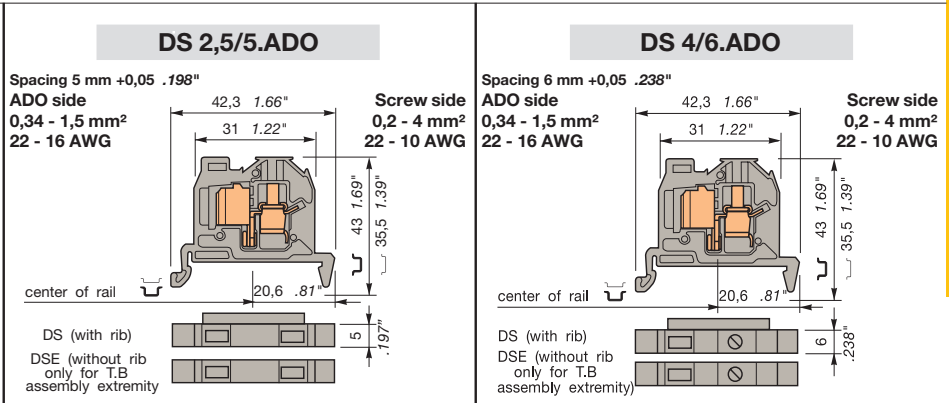
Other end stops, rails and accessories : see section on accessories.

Observations

Standard blocks 5 and 6 mm. For multiple wires connections, the two wires need to be of the same gage and nature (rigid or flexible). Terminal block body material is UL 94 V0.

Accessories

	1 End section	grey	FEAD1	V0	th. 2,5 mm	1SNA 199 421 R1600
		orange	FEAD1	V0	th. 2,5 mm	1SNA 199 422 R1700
	2 Separator	grey	FEAD5	V0	th. 5,0 mm	1SNA 199 433 R1200
		orange	FEAD5	V0	th. 5,0 mm	1SNA 199 434 R1300
	3 Test device	yellow	DCB			1SNA 105 028 R2100
		blue	FC2		DIA. 2 mm	1SNA 007 865 R2600
	4 Test plug		BJADO5.2	17,5 A	2 poles	1SNA 205 955 R0300
	5 Screwless jumper bar to be inserted into ADO jaw orange IP20		BJADO5.3	17,5 A	3 poles	1SNA 205 956 R0400
			BJADO5.4	17,5 A	4 poles	1SNA 205 957 R0500
			BJADO5.5	17,5 A	5 poles	1SNA 205 958 R1600
			BJADO5.10	17,5 A	10 poles	1SNA 205 963 R0300
			BJADO5.20	17,5 A	20 poles	1SNA 205 973 R0500
6 Comb-type jumper bar		PC5	30 A	2 poles	1SNA 113 542 R1000	
		PC5	30 A	10 poles	1SNA 113 544 R1200	
7 Insulating tip		EIP			1SNA 113 550 R2400	
8 Hand tool kit		OUMAD			1SNA 179 466 R0600	
9 Semi-automatic tool		OUPAD			1SNA 178 944 R0400	
10 Pneumatic tool kit		OUTAD			1SNA 205 710 R1100	
11 Replacement head kit		OUTA			1SNA 205 284 R0300	
12 Extraction tool kit		EXAD2			1SNA 205 721 R0000	
Test connector		CEADO.5			1SNA 399 345 R1100	
		CEADOE			1SNA 399 341 R1500	
R See section on markers marking method						



Colour	Type	Part numbers	Colour	Type	Part numbers
Grey	<input type="checkbox"/> DS 2,5/5.ADO	1SNA 399 514 R2300	Grey	<input type="checkbox"/> DS 4/6.ADO	1SNA 299 489 R0700
Blue	<input type="checkbox"/> DS 2,5/5.N.ADO	1SNA 399 516 R2500	Blue	<input type="checkbox"/> DS 4/6.N.ADO	1SNA 299 491 R2100
Orange	<input type="checkbox"/> DS 2,5/5.ADO	1SNA 399 515 R2400	Orange	<input type="checkbox"/> DS 4/6.ADO	1SNA 299 490 R0400
Grey	<input type="checkbox"/> DSE 2,5/5.ADO	1SNA 399 518 R0700	Grey	<input type="checkbox"/> DSE 4/6.ADO	1SNA 299 556 R0100

Characteristics				Characteristics							
Wire size				Wire size							
		IEC	DIN			IEC	DIN				
		UL/CSA				UL/CSA					
Screw	Rigid	0,2 - 4 mm ²		22-12 AWG		Screw	Rigid	0,2 - 4 mm ²		22-10 AWG	
	Standed	0,22-2,5 mm ²		22-12 AWG			Standed	0,22-4 mm ²		22-10 AWG	
ADO	Rigid	0,2-1 mm ²		24-18 AWG		ADO	Rigid	0,28-1,5 mm ²		22-16 AWG	
	Standed	0,22-1 mm ²		24-18 AWG			Standed	0,34-1,5 mm ²		22-16 AWG	

Voltage				Voltage							
Rated		800 V		600 V		Rated		800 V		600 V	
Impulse withstand		8 kV				Impulse withstand		8 kV			
Pollution degree		3				Pollution degree		3			
Current				Current							
Rated		13,5 A		10 A		Rated		17,5 A		20 A	
Wire size				Wire size							
Rated / Gauge		1 mm ²		18 AWG		Rated / Gauge		1,5 mm ²		16-10 AWG	
Wire stripping length	Recommended screwdriver	Recommended torque	Protection	Wire stripping length	Recommended screwdriver	Recommended torque	Protection				
9,5 mm .37"	3,5 mm .137"	0,4-0,6 Nm 3.5-5.3 lb.in	IP 20 NEMA 1	9,5 mm .37"	4 mm .16"	0,5-0,8 Nm 4.4-7.1 lb.in	IP 20 NEMA 1				

Type	P/N	Type	P/N
FEAD1	V0 th. 2,5 mm 1SNA 199 421 R1600	FEAD1	V0 th. 2,5 mm 1SNA 199 421 R1600
FEAD1	V0 th. 2,5 mm 1SNA 199 422 R1700	FEAD1	V0 th. 2,5 mm 1SNA 199 422 R1700
FEAD5	V0 th. 5,0 mm 1SNA 199 433 R1200	FEAD5	V0 th. 5,0 mm 1SNA 199 433 R1200
FEAD5	V0 th. 5,0 mm 1SNA 199 434 R1300	FEAD5	V0 th. 5,0 mm 1SNA 199 434 R1300
DCJ		DCJ	1SNA 173 059 R0300
FC2	DIA. 2 mm 1SNA 007 865 R2600	FC2	DIA. 2 mm 1SNA 007 865 R2600
BJADO6.2	17,5 A 2 poles 1SNA 205 974 R0600	BJADO6.2	17,5 A 2 poles 1SNA 205 974 R0600
BJADO6.3	17,5 A 3 poles 1SNA 205 975 R0700	BJADO6.3	17,5 A 3 poles 1SNA 205 975 R0700
BJADO6.4	17,5 A 4 poles 1SNA 205 976 R0000	BJADO6.4	17,5 A 4 poles 1SNA 205 976 R0000
BJADO6.5	17,5 A 5 poles 1SNA 205 977 R0100	BJADO6.5	17,5 A 5 poles 1SNA 205 977 R0100
BJADO6.10	17,5 A 10 poles 1SNA 205 982 R2700	BJADO6.10	17,5 A 10 poles 1SNA 205 982 R2700
BJADO6.20	17,5 A 20 poles 1SNA 205 992 R2100	BJADO6.20	17,5 A 20 poles 1SNA 205 992 R2100
PC6	35 A 2 poles 1SNA 113 546 R1400	PC6	35 A 2 poles 1SNA 113 546 R1400
PC6	35 A 3 poles 1SNA 116 536 R0500	PC6	35 A 3 poles 1SNA 116 536 R0500
PC6	35 A 4 poles 1SNA 116 537 R0600	PC6	35 A 4 poles 1SNA 116 537 R0600
PC6	35 A 10 poles 1SNA 113 548 R2600	PC6	35 A 10 poles 1SNA 113 548 R2600
EIP		EIP	1SNA 113 550 R2400
OUMAD		OUMAD	1SNA 179 466 R0600
OUPAD		OUPAD	1SNA 178 944 R0400
OUTAD		OUTAD	1SNA 205 710 R1100
OUTA		OUTA	1SNA 205 284 R0300
EXAD2		EXAD2	1SNA 205 721 R0000
CEADO.6		CEADO.6	1SNA 399 346 R1200
CEADOE		CEADOE	1SNA 399 341 R1500
On top of block	RC65	On top of block	RC65

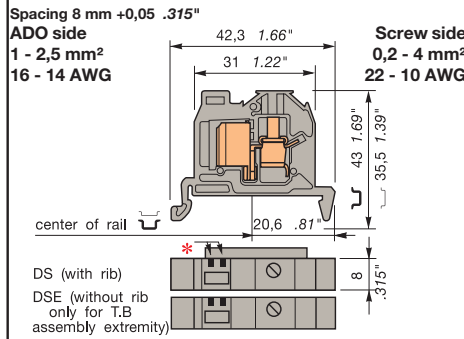
Miniblocks Insulation Displacement



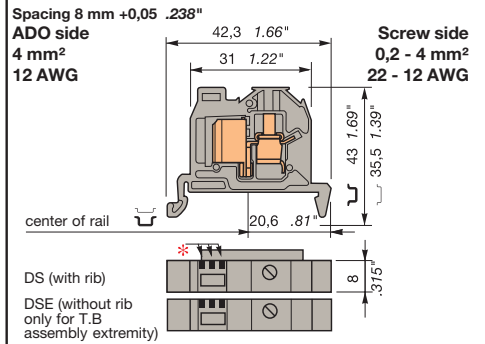
ADO - Screw clamp DIN 3



DS 4/8.ADO



DS 4/8.A.ADO3



Colour	Type	Part numbers
Grey	DS 4/8.ADO	1SNA 299 493 R2300
Blue	DS 4/8.N.ADO	1SNA 299 495 R2500
Orange	DS 4/8.ADO	1SNA 299 494 R2400
Grey	DSE 4/8.ADO	1SNA 299 557 R0200

Colour	Type	Part numbers
Grey	DS 4/8.A.ADO3	1SNA 399 429 R0600
Blue	DS 4/8.A.N.ADO3	1SNA 399 431 R2000
Orange	DS 4/8.A.ADO3	1SNA 399 430 R0300
Grey	DSE 4/8.A.ADO3	1SNA 399 433 R2200

Characteristics

Wire size		IEC	DIN	UL/CSA
Screw	Rigid	0,2 - 4mm²		22-10 AWG
	Standed	0,22-4 mm²		22-10 AWG
ADO	Rigid	1-2,5 mm²		16-14 AWG
	Standed	1-2,5 mm²		16-14 AWG

Characteristics

Wire size		IEC	DIN	UL/CSA
Screw	Rigid	0,2 - 4mm²		22-12 AWG
	Standed	0,22-4 mm²		22-12 AWG
ADO	Rigid	4 mm²		12 AWG
	Standed	4 mm²		12 AWG

End stop	th. 9 mm	BADL	V0	1SNA 399 903 R0200
End stop	th. 10 mm	BAM2	V2	1SNA 206 351 R1600
End stop	th. 10 mm	BAM2 V0	V0	1SNA 399 967 R0100
Rail	35 x 7,5 x 1	PR3.Z2		1SNA 174 300 R1700
Rail	35 x 15 x 2,3	PR4		1SNA 168 500 R1200
Rail	35 x 15 x 1,5	PR5		1SNA 168 700 R2200

Other end stops, rails and accessories : see section on accessories.

Observations

Terminal block body material is UL 94 V0.

DS 4/8.ADO block : for multiple wire connections, the two wires need to be of the **same gage and nature** (rigid or flexible).

DS 4/8.A.ADO3 block : connection of only one rigid or flexible 4 mm² wire.

* Notches to identify 8 mm spacing.

Voltage

Rated	1000 V	600 V
Impulse withstand		
Pollution degree	3	

Voltage

Rated	1000 V	
Impulse withstand		
Pollution degree	3	

Current

Rated	24 A	25 A
-------	------	------

Current

Rated	32 A	
-------	------	--

Wire size

Rated / Gauge	2,5 mm²	14-10 AWG	
Wire stripping length	Recommended screwdriver	Recommended torque	Protection
9,5 mm .37"	4 mm .16"	0,5 - 0,8 Nm 4.4 - 7.1 lb.in	IP 20 NEMA 1

Wire size

Rated / Gauge	4 mm²	12 AWG	
Wire stripping length	Recommended screwdriver	Recommended torque	Protection
9,5 mm .37"	4 mm .16"	0,5 - 0,8 Nm 4.4 - 7.1 lb.in	IP 20 NEMA 1

Accessories

	1 End section	grey	FEAD1	V0	th. 2,5 mm	1SNA 199 421 R1600
	2 Separator	orange	FEAD1	V0	th. 2,5 mm	1SNA 199 422 R1700
	3 Test device	grey	FEAD5	V0	th. 5,0 mm	1SNA 199 433 R1200
	4 Test plug	orange	FEAD5	V0	th. 5,0 mm	1SNA 199 434 R1300
	5 Comb-type jumper bar	yellow	DCJ	V2		1SNA 173 059 R0300
	6 IDC jumper		FC2		DIA. 2 mm	1SNA 007 865 R2600
	7 Hand tool kit		PC8	V2	50 A 2 poles	1SNA 116 538 R1700
	8 Semi automatic tool		PC8	V2	50 A 3 poles	1SNA 116 539 R1000
	9 Pneumatic tool kit		PC8	V2	50 A 4 poles	1SNA 116 540 R2500
	10 Replacement head kit		PC8	V2	50 A 10 poles	1SNA 163 313 R2400
	11 Extraction tool kit		AD2,5	V2		1SNA 114 205 R2000

Type	P/N
OUMAD	1SNA 179 466 R0600
OUPAD	1SNA 178 944 R0400
OUTAD	1SNA 205 710 R1100
OUTA	1SNA 205 284 R0300
EXAD2	1SNA 205 721 R0000

Type	P/N
FEAD1	V0 th. 2,5 mm 1SNA 199 421 R1600
FEAD1	V0 th. 2,5 mm 1SNA 199 422 R1700
FEAD5	V0 th. 5,0 mm 1SNA 199 433 R1200
FEAD5	V0 th. 5,0 mm 1SNA 199 434 R1300
DCJ	V2 1SNA 173 059 R0300
FC2	DIA. 2 mm 1SNA 007 865 R2600
PC8	V2 50 A 2 poles 1SNA 116 538 R1700
PC8	V2 50 A 3 poles 1SNA 116 539 R1000
PC8	V2 50 A 4 poles 1SNA 116 540 R2500
PC8	V2 50 A 10 poles 1SNA 163 313 R2400
AD2,5	V2 1SNA 114 205 R2000
OUMAD	1SNA 179 466 R0600
OUPAD	1SNA 178 944 R0400
OUTAD	1SNA 205 710 R1100
OUTA	1SNA 205 284 R0300
EXAD2	1SNA 205 721 R0000

R See section on markers marking method

On top of block RCAL85

On top of block RCAL85

Miniblocks Insulation Displacement ADO - Screw clamp for ground terminal blocks not electrically connected to the mounting rail

DIN 3



Other accessories of this terminal blocks:
see pages of same size standard blocks.
** Notches to identify 8 mm spacing*

DS 2,5/5.PI.ADO				DS 4/6.PI.ADO				DS 4/8.PI.ADO			
Spacing 5 mm +0,05 .198"				Spacing 6 mm +0,05 .238"				Spacing 8 mm +0,05 .315"			
ADO side		Screw side		ADO side		Screw side		ADO side		Screw side	
0,22 - 1 mm ²		0,2 - 2,5 mm ²		0,34 - 1,5 mm ²		0,2 - 4 mm ²		1 - 2,5 mm ²		0,2 - 4 mm ²	
24 - 18 AWG		24 - 12 AWG		22 - 16 AWG		22 - 10 AWG		16 - 14 AWG		22 - 10 AWG	
Type P/N				Type P/N				Type P/N			
Yellow body / green marking ■ DS 2,5/5.PI.ADO 1SNA 399 517 R2600				Yellow body / green marking ■ DS 4/6.PI.ADO 1SNA 299 492 R2200				Yellow body / green marking ■ DS 4/8.PI.ADO 1SNA 299 496 R2600			

Characteristics		IEC		DIN		UL/CSA		IEC		DIN		UL/CSA		
Wire size	Screw	Rigid	0,2 - 4 mm ²		24-12 AWG		0,2 - 4 mm ²		22-10 AWG		0,2 - 4 mm ²		22-10 AWG	
		Flexible	0,22 - 2,5 mm ²		24-12 AWG		0,22 - 4 mm ²		22-10 AWG		0,22 - 4 mm ²		22-10 AWG	
Rated current short-circuit	ADO	Rigid	0,2-1 mm ²		24-18 AWG		0,28-1,5 mm ²		22-16 AWG		1-2,5 mm ²		16-14 AWG	
		Flexible	0,22-1 mm ²		24-18 AWG		0,34-1,5 mm ²		22-16 AWG		1-2,5 mm ²		16-14 AWG	
Rated wire size nominal / gauge		120 A/1 s.		1 mm ²		18 AWG		180 A/1 s.		1,5 mm ²		16-10 AWG		
Other characteristics		Wire strip. length	Recomm. screwdriver	Recomm. torque	Protection	Wire strip. length	Recomm. screwdriver	Recomm. torque	Protection	Wire strip. length	Recomm. screwdriver	Recomm. torque	Protection	
		9,5 mm	3,5 mm	0,4-0,6 Nm	IP20	9,5 mm	4 mm	0,5-0,8 Nm	IP20	9,5 mm	4 mm	0,5-0,8 Nm	IP20	
		.37"	.137"	3.5-5.3 lb.in	NEMA 1	.37"	.16"	4-7.1 lb.in	NEMA 1	.37"	.16"	4-7.1 lb.in	NEMA 1	
Approvals														
Accessories		Type P/N		Type P/N		Type P/N		Type P/N		Type P/N		Type P/N		
1	End section	grey	FEAD1 V0 th. 2,5 mm	1SNA 199 421 R1600	FEAD1 V0 th. 2,5 mm	1SNA 199 421 R1600	FEAD1 V0 th. 2,5 mm	1SNA 199 421 R1600	FEAD1 V0 th. 2,5 mm	1SNA 199 421 R1600	FEAD1 V0 th. 2,5 mm	1SNA 199 421 R1600	FEAD1 V0 th. 2,5 mm	1SNA 199 421 R1600
		orange	FEAD1 V0 th. 2,5 mm	1SNA 199 422 R1700	FEAD1 V0 th. 2,5 mm	1SNA 199 422 R1700	FEAD1 V0 th. 2,5 mm	1SNA 199 422 R1700	FEAD1 V0 th. 2,5 mm	1SNA 199 422 R1700	FEAD1 V0 th. 2,5 mm	1SNA 199 422 R1700	FEAD1 V0 th. 2,5 mm	1SNA 199 422 R1700
R	See section on markers	mode	On top	RC65	On top	RC65	On top	RC65	On top	RC65	On top	RC65	On top	RC65

Miniblocks Insulation Displacement ADO - Screw clamp for ground terminal blocks not electrically connected to the mounting rail

DIN 3



Other accessories of this terminal blocks:
see pages of same size standard blocks.
** Notches to identify 8 mm spacing*

DS 4/8.A.PI.ADO3			
Spacing 8 mm +0,05 .315"			
ADO side		Screw side	
4 mm ² / 12 AWG		0,2 - 4 mm ²	
1 wire only		24 - 12 AWG	
Type P/N			
Yellow body / green marking ■ DS 4/8.A.PI.ADO3 1SNA 399 432 R2100			

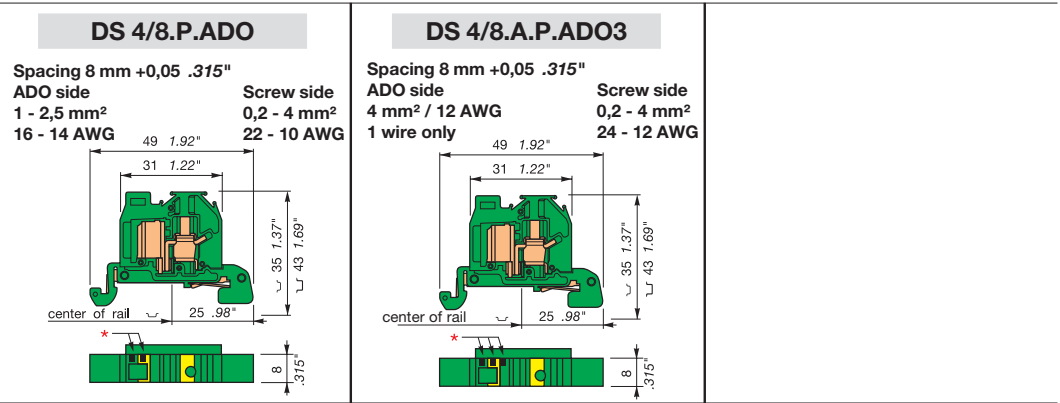
Characteristics		IEC		DIN		UL/CSA		IEC		UL		CSA	
Wire size	Screw	Rigid	0,2 - 4 mm ²		24-12 AWG								
		Flexible	0,22 - 4 mm ²		24-12 AWG								
Rated current short-circuit	ADO	Rigid	4 mm ²		12 AWG								
		Flexible	4 mm ²		12 AWG								
Rated wire size nominal / gauge		480 A/1 s.		4 mm ²		12 AWG							
Other characteristics		Wire strip. length	Recomm. screwdriver	Recomm. torque	Protection	Wire strip. length	Recomm. screwdriver	Recomm. torque	Protection	Wire strip. length	Recomm. screwdriver	Recomm. torque	Protection
		9,5 mm	4 mm	0,8-0,8 Nm	IP20								
		.37"	.16"	4-7.1 lb.in	NEMA 1								
Approvals													
Accessories		Type P/N		Type P/N		Type P/N		Type P/N		Type P/N		Type P/N	
1	End section	grey	FEAD1 V0 th. 2,5 mm	1SNA 199 421 R1600									
		orange	FEAD1 V0 th. 2,5 mm	1SNA 199 422 R1700									
R	See section on markers	mode	On top	RCAL85									

**Miniblocks
Insulation Displacement
ADO - Screw clamp for
ground terminal blocks
electrically connected to the
mounting rail**

DIN 3



Other accessories of this terminal blocks:
see pages of same size standard blocks.
* Notches to identify 8 mm spacing



Type	P/N	Type	P/N	Type	P/N
Green body / yellow marking		Green body / yellow marking			
■ DS 4/8.P.ADO	1SNA 199 527 R1000	■ DS 4/8.A.P.ADO3	1SNA 399 445 R0600		

Characteristics		IEC		UL/CSA pending		IEC		UL/CSA pending		IEC		UL		CSA	
Wire size		NFC	DIN			NFC	DIN			NFC	DIN				
Screw	Rigid	0,2-4 mm ²		22-10 AWG		0,2-4 mm ²		24-12 AWG							
	Flexible														
ADO	Rigid	1-2,5 mm ²		16-14 AWG		4 mm ²		12 AWG							
	Flexible														
Rated current short-circuit		300 A / 1 s.				480 A/1 s.									
Rated wire size nominal / gauge				2,5 mm ²		4 mm ²		12 AWG							
Other characteristics		Wire strip. length	Recomm. screwdriver	Recomm. torque	Protection	Wire strip. length	Recomm. screwdriver	Recomm. torque	Protection	Wire strip. length	Recomm. screwdriver	Recomm. torque	Protection		
		9,5 mm	4 mm	0,5-0,8 Nm	IP20	9,5 mm	4 mm	0,5-0,8 Nm	IP20						
		.37"	.16"	4-7.1 lb.in	NEMA 1	.37"	.16"	4-7.1 lb.in	NEMA 1						
Approvals															

Accessories	Type	P/N	Type	P/N	Type	P/N

Accessories	Type	P/N	Type	P/N	Type	P/N

Characteristics		IEC		UL		CSA		IEC		UL		CSA		IEC		UL		CSA	
Wire size		NFC	DIN			NFC	DIN			NFC	DIN			NFC	DIN			NFC	DIN
Screw	Rigid																		
	Flexible																		
ADO	Rigid																		
	Flexible																		
Rated current short-circuit																			
Rated wire size nominal / gauge																			
Other characteristics		Wire strip. length	Recomm. screwdriver	Recomm. torque	Protection	Wire strip. length	Recomm. screwdriver	Recomm. torque	Protection	Wire strip. length	Recomm. screwdriver	Recomm. torque	Protection						
Approvals																			
Accessories		Type	P/N	Type	P/N	Type	P/N	Type	P/N	Type	P/N	Type	P/N	Type	P/N	Type	P/N	Type	P/N

Accessories	Type	P/N	Type	P/N	Type	P/N

Miniblocks Insulation Displacement ADO - Screw clamp DIN 2



Ex refer to the section "Special Applications" for part numbers and characteristics.

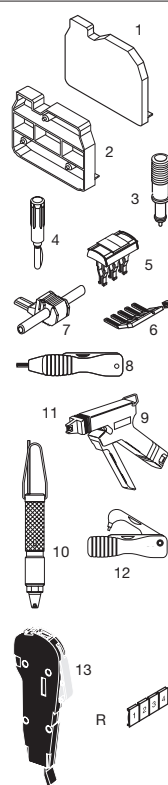
End stop	th. 6,5 mm	BADRL	V0	1SNA 199 420 R2100
Rail	15 x 5 x 1	PR2		1SNA 164 600 R1200

Other end stops, rails and accessories : see section on accessories.

Notes

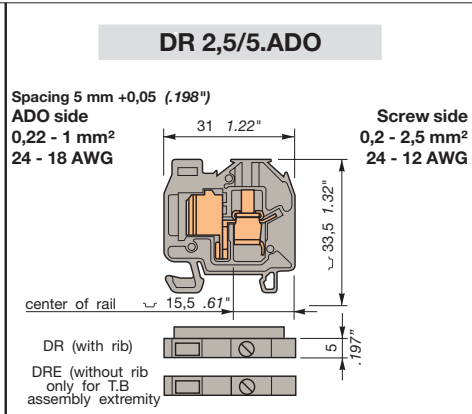
Standard blocks 5 and 6 mm. For multiple wires connections, the two wires need to be of the **same gage and nature** (rigid or flexible). Terminal block body material is UL 94 V0.

Accessories



1 End section	grey	FEAD1	V0	th. 2,5 mm	1SNA 199 421 R1600
	orange	FEAD1	V0	th. 2,5 mm	1SNA 199 422 R1700
2 Separator	grey	FEAD5	V0	th. 5,0 mm	1SNA 199 433 R1200
	orange	FEAD5	V0	th. 5,0 mm	1SNA 199 434 R1300
3 Test device	blue	DCB			1SNA 105 028 R2100
4 Test plug		FC2		DIA. 2 mm	1SNA 007 865 R2600
5 Screwless jumper bar	orange IP20	BJADO5.2	17,5 A	2 poles	1SNA 205 955 R0300
		BJADO5.3	17,5 A	3 poles	1SNA 205 956 R0400
		BJADO5.4	17,5 A	4 poles	1SNA 205 957 R0500
		BJADO5.5	17,5 A	5 poles	1SNA 205 958 R1600
		BJADO5.10	17,5 A	10 poles	1SNA 205 963 R0300
		BJADO5.20	17,5 A	20 poles	1SNA 205 973 R0500
6 Comb-type jumper bar		PC5	30 A	2 poles	1SNA 113 542 R1000
		PC5	30 A	10 poles	1SNA 113 544 R1200
	Insulation tip	EIP	V2		1SNA 113 550 R2400
7 IDC jumper		AD2.5	V2		1SNA 114 205 R2000
8 Hand tool kit		OUMAD			1SNA 179 466 R0600
9 Semi automatic tool		OUPAD			1SNA 178 944 R0400
10 Pneumatic tool kit		OUTAD			1SNA 205 710 R1100
11 Replacement head kit		OUTA			1SNA 205 284 R0300
12 Extraction tool kit		EXAD2			1SNA 205 721 R0000
13 Test connector		CEADO.5			1SNA 399 345 R1100
		CEADOE			1SNA 399 341 R1500

R See section on markers marking method



Colour	Type	Part numbers
Grey	DR 2,5/5.ADO	1SNA 399 509 R1700
Blue	DR 2,5/5.N.ADO	1SNA 399 511 R2000
Orange	DR 2,5/5.ADO	1SNA 399 510 R0300
Grey	DRE 2,5/5.ADO	1SNA 399 513 R2200

Characteristics

Wire size	IEC		UL/CSA
	NFC	DIN	
Screw	Rigid	0,2 - 4 mm ²	24-12 AWG
	Flexible	0,22-2,5 mm ²	24-12 AWG
ADO	Rigid	0,2-1 mm ²	24-18 AWG
	Flexible	0,22-1 mm ²	24-18 AWG

Voltage

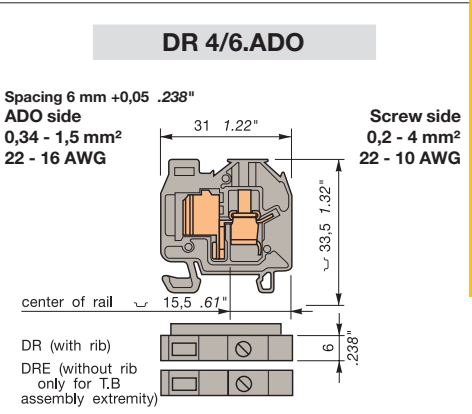
Rated	800 V	600 V
Impulse withstand	8 kV	
Pollution degree	3	

Current

Rated	13,5 A	10 A
-------	--------	------

Wire size

Rated / Gauge	1 mm ²	18 AWG	
Wire stripping length	Recommended screwdriver	Recommended torque	protection
9,5 mm .374"	3,5 mm .137"	0,4-0,6 Nm 3.5-5.3 lb.in	IP 20 NEMA 1



Colour	Type	Part numbers
Grey	DR 4/6.ADO	1SNA 199 275 R0300
Blue	DR 4/6.N.ADO	1SNA 199 277 R0500
Orange	DR 4/6.ADO	1SNA 199 276 R0400
Grey	DRE 4/6.ADO	1SNA 299 552 R0500

Characteristics

Wire size	IEC		UL/CSA
	NFC	DIN	
Screw	Rigid	0,2 - 4 mm ²	22-10 AWG
	Flexible	0,22-4 mm ²	22-10 AWG
ADO	Rigid	0,28-1,5 mm ²	22-16 AWG
	Flexible	0,34-1,5 mm ²	22-16 AWG

Voltage

Rated	800 V	600 V
Impulse withstand	8 kV	
Pollution degree	3	

Current

Rated	17,5 A	20 A
-------	--------	------

Wire size

Rated / Gauge	1,5 mm ²	16 AWG	
Wire stripping length	Recommended screwdriver	Recommended torque	protection
9,5 mm .374"	4 mm .157"	0,5-0,8 Nm 4.4-7.1 lb.in	IP 20 NEMA 1

FEAD1	V0	th. 2,5 mm	1SNA 199 421 R1600
FEAD1	V0	th. 2,5 mm	1SNA 199 422 R1700
FEAD5	V0	th. 5,0 mm	1SNA 199 433 R1200
FEAD5	V0	th. 5,0 mm	1SNA 199 434 R1300
DCJ	V2		1SNA 173 059 R0300
FC2		DIA. 2 mm	1SNA 007 865 R2600
BJADO6.2	17,5 A	2 poles	1SNA 205 974 R0600
BJADO6.3	17,5 A	3 poles	1SNA 205 975 R0700
BJADO6.4	17,5 A	4 poles	1SNA 205 976 R0000
BJADO6.5	17,5 A	5 poles	1SNA 205 977 R0100
BJADO6.10	17,5 A	10 poles	1SNA 205 982 R2700
BJADO6.20	17,5 A	20 poles	1SNA 205 992 R2100
PC6	V2 35 A	2 poles	1SNA 113 546 R1400
PC6	V2 35 A	3 poles	1SNA 116 536 R0500
PC6	V2 35 A	4 poles	1SNA 116 537 R0600
PC6	V2 35 A	10 poles	1SNA 113 548 R2600
EIP	V2		1SNA 113 550 R2400
AD2.5	V2		1SNA 114 205 R2000
OUMAD			1SNA 179 466 R0600
OUPAD			1SNA 178 944 R0400
OUTAD			1SNA 205 710 R1100
OUTA			1SNA 205 284 R0300
EXAD2			1SNA 205 721 R0000
CEADO.6			1SNA 399 346 R1200
CEADOE			1SNA 399 341 R1500

On top RC65

Miniblocks Insulation Displacement ADO - Screw clamp

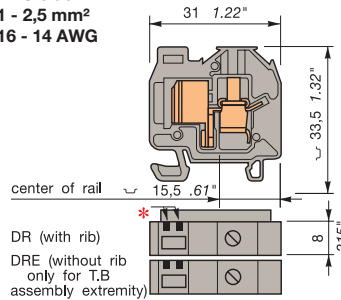
DIN 2



DR 4/8.ADO

Spacing 8 mm +0,05 .315"
ADO side
1 - 2,5 mm²
16 - 14 AWG

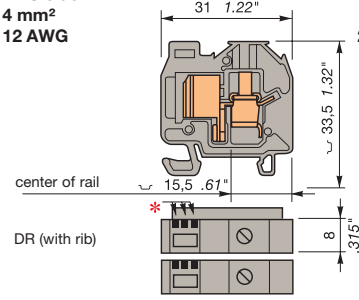
Screw side
0,2 - 4 mm²
22 - 10 AWG



DR 4/8.A.ADO3

Spacing 8 mm +0,05 .238"
ADO side
4 mm²
12 AWG

Screw side
0,2 - 4 mm²
22 - 12 AWG



Colour	Type	Part numbers
Grey	DR 4/8.ADO	1SNA 199 279 R1700
Blue	DR 4/8.N.ADO	1SNA 199 281 R2200
Orange	DR 4/8.ADO	1SNA 199 280 R0500
Grey	DRE 4/8.ADO	1SNA 299 553 R0600

Colour	Type	Part numbers
Grey	DR 4/8.A.ADO3	1SNA 399 424 R2100
Blue	DR 4/8.A.N.ADO3	1SNA 399 426 R2300
Orange	DR 4/8.A.ADO3	1SNA 399 425 R2200
Grey	DRE 4/8.A.ADO3	1SNA 399 428 R0500

Characteristics

Wire size	IEC		UL/CSA
	NFC	DIN	
Screw	Rigid	0,2-4 mm ²	22-10 AWG
	Flexible	0,2-4 mm ²	22-10 AWG
ADO	Rigid	1-2,5 mm ²	16-14 AWG
	Flexible	1-2,5 mm ²	16-14 AWG

Characteristics

Wire size	IEC		UL/CSA
	NFC	DIN	pending
Screw	Rigid	0,2-4 mm ²	22-10 AWG
	Flexible	0,2-4 mm ²	22-10 AWG
ADO	Rigid	4 mm ²	12 AWG
	Flexible	4 mm ²	12 AWG

refer to the section "Special Applications" for part numbers and characteristics.

End stop	th. 6,5 mm	BADRL	V0	1SNA 199 420 R2100
Rail	15 x 5 x 1	PR2		1SNA 164 600 R1200

Other end stops, rails and accessories : see section on accessories.

Observations

Terminal block body material is UL 94 V0.
DR 4/8.ADO block : for multiple wire connections, the two wires need to be of the same gage and nature (rigid or flexible).
DR 4/8.A.ADO3 block : connection of only one rigid or flexible 4 mm² wire.

* Notches to identify 8 mm spacing.

Voltage

Rated	1000 V	600 V
Impulse withstand	8 kV	
Pollution degree	3	

Current

Rated	24 A	25 A
-------	------	------

Wire size

Rated / Gauge	2,5 mm ²	14 AWG	
Wire stripping length	Recommended screwdriver	Recommended torque	protection
9,5 mm .374"	4 mm .157"	0,5 - 0,8 Nm 4,4 - 7,1 lb.in	IP 20 NEMA 1

Voltage

Rated	1000 V
Impulse withstand	
Pollution degree	3

Current

Rated	32 A
-------	------

Wire size

Rated / Gauge	4 mm ²	12 AWG	
Wire stripping length	Recommended screwdriver	Recommended torque	protection
9,5 mm .374"	4 mm .157"	0,5 - 0,8 Nm 4,4 - 7,1 lb.in	IP 20 NEMA 1

Accessories

Type	P/N
1 End section	grey orange FEAD1 V0 th. 2,5 mm 1SNA 199 421 R1600 FEAD1 V0 th. 2,5 mm 1SNA 199 422 R1700
2 Separator	grey orange FEAD5 V0 th. 5,0 mm 1SNA 199 433 R1200 FEAD5 V0 th. 5,0 mm 1SNA 199 434 R1300
3 Test device	yellow DCJ 1SNA 173 059 R0300
4 Test plug	FC2 DIA. 2 mm 1SNA 007 865 R2600
5 Comb-type jumper bar	PC8 50 A 2 poles 1SNA 116 538 R1700 PC8 50 A 3 poles 1SNA 116 539 R1000 PC8 50 A 4 poles 1SNA 116 540 R2500 PC8 50 A 10 poles 1SNA 163 313 R2400
6 IDC jumper	AD2,5 1SNA 114 205 R2000
7 Hand tool kit	OUMAD 1SNA 179 466 R0600
8 Semi automatic tool	OUPAD 1SNA 178 944 R0400
9 Pneumatic tool kit	OUTAD 1SNA 205 710 R1100
10 Replacement head kit	OUTA 1SNA 205 284 R0300
11 Extraction tool kit	EXAD2 1SNA 205 721 R0000
R See section on markers marking method	On top RCAL85

Type	P/N
1 End section	grey orange FEAD1 V0 th. 2,5 mm 1SNA 199 421 R1600 FEAD1 V0 th. 2,5 mm 1SNA 199 422 R1700
2 Separator	grey orange FEAD5 V0 th. 5,0 mm 1SNA 199 433 R1200 FEAD5 V0 th. 5,0 mm 1SNA 199 434 R1300
3 Test device	yellow DCJ 1SNA 173 059 R0300
4 Test plug	FC2 DIA. 2 mm 1SNA 007 865 R2600
5 Comb-type jumper bar	PC8 50 A 2 poles 1SNA 116 538 R1700 PC8 50 A 3 poles 1SNA 116 539 R1000 PC8 50 A 4 poles 1SNA 116 540 R2500 PC8 50 A 10 poles 1SNA 163 313 R2400
6 IDC jumper	AD2,5 1SNA 114 205 R2000
7 Hand tool kit	OUMAD 1SNA 179 466 R0600
8 Semi automatic tool	OUPAD 1SNA 178 944 R0400
9 Pneumatic tool kit	OUTAD 1SNA 205 710 R1100
10 Replacement head kit	OUTA 1SNA 205 284 R0300
11 Extraction tool kit	EXAD2 1SNA 205 721 R0000
R See section on markers marking method	On top RCAL85

Type	P/N
1 End section	grey orange FEAD1 V0 th. 2,5 mm 1SNA 199 421 R1600 FEAD1 V0 th. 2,5 mm 1SNA 199 422 R1700
2 Separator	grey orange FEAD5 V0 th. 5,0 mm 1SNA 199 433 R1200 FEAD5 V0 th. 5,0 mm 1SNA 199 434 R1300
3 Test device	yellow DCJ 1SNA 173 059 R0300
4 Test plug	FC2 DIA. 2 mm 1SNA 007 865 R2600
5 Comb-type jumper bar	PC8 50 A 2 poles 1SNA 116 538 R1700 PC8 50 A 3 poles 1SNA 116 539 R1000 PC8 50 A 4 poles 1SNA 116 540 R2500 PC8 50 A 10 poles 1SNA 163 313 R2400
6 IDC jumper	AD2,5 1SNA 114 205 R2000
7 Hand tool kit	OUMAD 1SNA 179 466 R0600
8 Semi automatic tool	OUPAD 1SNA 178 944 R0400
9 Pneumatic tool kit	OUTAD 1SNA 205 710 R1100
10 Replacement head kit	OUTA 1SNA 205 284 R0300
11 Extraction tool kit	EXAD2 1SNA 205 721 R0000
R See section on markers marking method	On top RCAL85

Miniblocks Insulation Displacement ADO - Screw clamp for ground terminal blocks not electrically connected to the mounting rail



refer to the section "Special Applications" for part numbers and characteristics.

Wire sizes screw side and other accessories of this terminal blocks: see pages of same size standard blocks.
* Notches to identify 8 mm spacing.

Characteristics

Wire size	Screw	NFC		DIN		UL/CSA	
		IEC	DIN	UL/CSA	UL/CSA	IEC	DIN
Rigid		0,2-4 mm ²		24-12 AWG		22-10 AWG	
		0,22-2,5 mm ²		24-12 AWG		22-10 AWG	
Flexible		0,2-1 mm ²		24-18 AWG		22-16 AWG	
		0,22-1 mm ²		24-18 AWG		22-16 AWG	

Rated current short-circuit: 120 A / 1 s.

Rated wire size nominal / gauge: 1 mm² / 18 AWG

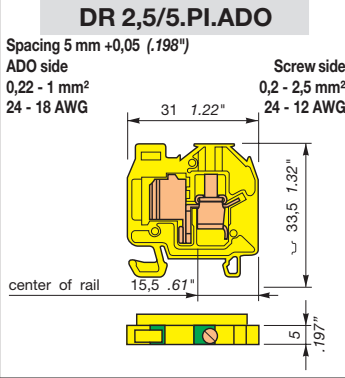
Other characteristics

Wire strip. length	Recomm. screwdriver	Recomm. torque	Protection
9,5 mm	3,5 mm	0,4-0,6 Nm	IP 20
.374"	.137"	3.5-5.3 lb.in	NEMA 1

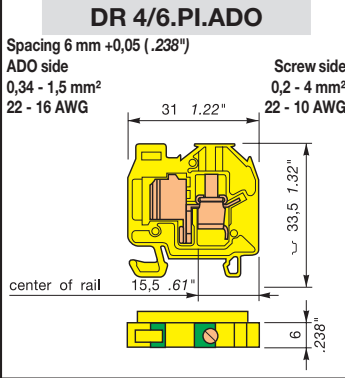
Approvals:

Accessories

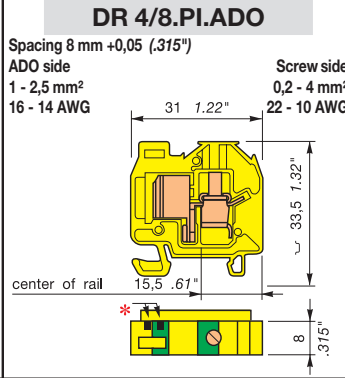
Type	Part number
1 End section grey orange	FEAD1 V0 th. 2,5 mm 1SNA 199 421 R1600 FEAD1 V0 th. 2,5 mm 1SNA 199 422 R1700
R See section on markers mode	On top RC55



Type	Part number
Yellow body / Green marking	DR 2,5/5.PI.ADO 1SNA 399 512 R2100



Type	Part number
Yellow body / Green marking	DR 4/6.PI.ADO 1SNA 199 278 R1600



Type	Part number
Yellow body / Green marking	DR 4/8.PI.ADO 1SNA 199 282 R2300

Wire size	Screw	NFC		DIN		UL/CSA	
		IEC	DIN	UL/CSA	UL/CSA	IEC	DIN
Rigid		0,2-4 mm ²		22-10 AWG		22-10 AWG	
		0,22-4 mm ²		22-10 AWG		22-10 AWG	
Flexible		0,28-1,5 mm ²		22-16 AWG		22-16 AWG	
		0,34-1,5 mm ²		22-16 AWG		22-16 AWG	

Rated current short-circuit: 180 A/1 s.

Rated wire size nominal / gauge: 1,5 mm² / 16 AWG

Other characteristics

Wire strip. length	Recomm. screwdriver	Recomm. torque	Protection
10 mm	4 mm	0,5-0,8 Nm	IP 20
.394"	.157"	4.4-7.1 lb.in	NEMA 1

Approvals:

Wire size	Screw	NFC		DIN		UL/CSA	
		IEC	DIN	UL/CSA	UL/CSA	IEC	DIN
Rigid		0,2-4 mm ²		22-10 AWG		22-10 AWG	
		0,22-4 mm ²		22-10 AWG		22-10 AWG	
Flexible		1-2,5 mm ²		16-14 AWG		16-14 AWG	
		0,22-1 mm ²		24-18 AWG		24-18 AWG	

Rated current short-circuit: 300 A/1 s.

Rated wire size nominal / gauge: 2,5 mm²

Other characteristics

Wire strip. length	Recomm. screwdriver	Recomm. torque	Protection
9,5 mm	4 mm	0,5-0,8 Nm	IP 20
.374"	.157"	4.4-7.1 lb.in	NEMA 1

Approvals:

Wire size	Screw	NFC		DIN		UL/CSA	
		IEC	DIN	UL/CSA	UL/CSA	IEC	DIN
Rigid		0,2-4 mm ²		22-10 AWG		22-10 AWG	
		0,22-4 mm ²		22-10 AWG		22-10 AWG	
Flexible		0,28-1,5 mm ²		22-16 AWG		22-16 AWG	
		0,34-1,5 mm ²		22-16 AWG		22-16 AWG	

Rated current short-circuit: 180 A/1 s.

Rated wire size nominal / gauge: 1,5 mm² / 16 AWG

Other characteristics

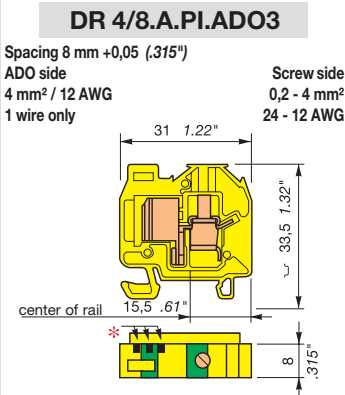
Wire strip. length	Recomm. screwdriver	Recomm. torque	Protection
10 mm	4 mm	0,5-0,8 Nm	IP 20
.394"	.157"	4.4-7.1 lb.in	NEMA 1

Approvals:

Miniblocks Insulation Displacement ADO - Screw clamp for ground terminal blocks not electrically connected to the mounting rail



Wire sizes screw side and other accessories of this terminal blocks: see pages of same size standard blocks.
* Notches to identify 8 mm spacing.



Type	Part number
Yellow body / Green marking	DR 4/8.A.PI.ADO3 1SNA 399 427 R2400

Wire size	Screw	NFC		DIN		UL/CSA	
		IEC	DIN	UL/CSA	UL/CSA	IEC	DIN
Rigid		0,2-4 mm ²		24-12 AWG		22-10 AWG	
		0,22-4 mm ²		24-12 AWG		22-10 AWG	
Flexible		4 mm ²		12 AWG		12 AWG	
		4 mm ²		12 AWG		12 AWG	

Rated current short-circuit: 480 A/1 s.

Rated wire size nominal / gauge: 4 mm² / 12 AWG

Other characteristics

Wire strip. length	Recomm. screwdriver	Recomm. torque	Protection
9,5 mm	4 mm	0,5-0,8 Nm	IP 20
.374"	.157"	4.4-7.1 lb.in	NEMA 1

Approvals:



Type	Part number
Yellow body / Green marking	DR 4/8.A.PI.ADO3 1SNA 399 427 R2400

Wire size	Screw	NFC		DIN		UL/CSA	
		IEC	DIN	UL/CSA	UL/CSA	IEC	DIN
Rigid		0,2-4 mm ²		24-12 AWG		22-10 AWG	
		0,22-4 mm ²		24-12 AWG		22-10 AWG	
Flexible		4 mm ²		12 AWG		12 AWG	
		4 mm ²		12 AWG		12 AWG	

Rated current short-circuit: 480 A/1 s.

Rated wire size nominal / gauge: 4 mm² / 12 AWG

Other characteristics

Wire strip. length	Recomm. screwdriver	Recomm. torque	Protection
9,5 mm	4 mm	0,5-0,8 Nm	IP 20
.374"	.157"	4.4-7.1 lb.in	NEMA 1

Approvals:



Type	Part number
Yellow body / Green marking	DR 4/8.A.PI.ADO3 1SNA 399 427 R2400

Wire size	Screw	NFC		DIN		UL/CSA	
		IEC	DIN	UL/CSA	UL/CSA	IEC	DIN
Rigid		0,2-4 mm ²		24-12 AWG		22-10 AWG	
		0,22-4 mm ²		24-12 AWG		22-10 AWG	
Flexible		4 mm ²		12 AWG		12 AWG	
		4 mm ²		12 AWG		12 AWG	

Rated current short-circuit: 480 A/1 s.

Rated wire size nominal / gauge: 4 mm² / 12 AWG

Other characteristics

Wire strip. length	Recomm. screwdriver	Recomm. torque	Protection
9,5 mm	4 mm	0,5-0,8 Nm	IP 20
.374"	.157"	4.4-7.1 lb.in	NEMA 1

Approvals:

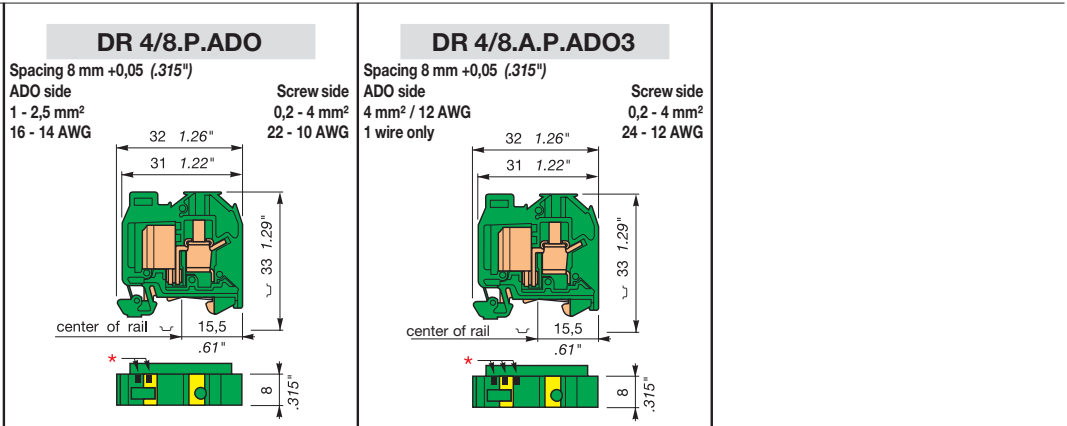
Type	Part number
1 End section grey orange	FEAD1 V0 th. 2,5 mm 1SNA 199 421 R1600 FEAD1 V0 th. 2,5 mm 1SNA 199 422 R1700
R See section on markers mode	On top RCAL85

**Miniblocks
Insulation Displacement
ADO - Screw clamp for
ground terminal blocks
electrically connected to the
mounting rail**

DIN 2



Other accessories of this terminal blocks:
see pages of same size standard blocks.



Type	Part number	Type	Part number	Type	Part number
Green body / Yellow marking		Green body / Yellow marking			
DR 4/8.P.ADO	1SNA 299 632 R0500	DR 4/8.A.P.ADO3	1SNA 399 444 R0500		

Characteristics		IEC		UL/CSA		IEC		UL		CSA			
		NFC	DIN	NFC	DIN	NFC	DIN	NFC	DIN	UL	CSA		
Wire size	Screw	0,2-4 mm ²		22-10 AWG		0,2-4 mm ²		24-12 AWG					
	ADO	1-2,5 mm ²		16-14 AWG		4 mm ²		12 AWG					
Rated current short-circuit		300 A / 1 s.				480 A/1 s.							
Rated wire size / gauge				2,5 mm ²		4 mm ²		12 AWG					
Other characteristics		Wire strip. length	Recomm. screwdriver	Recomm. torque	Protection	Wire strip. length	Recomm. screwdriver	Recomm. torque	Protection	Wire strip. length	Recomm. screwdriver	Recomm. torque	Protection
		9,5 mm	4 mm	0,5-0,8 Nm		9,5 mm	4 mm	0,5-0,8 Nm	IP 20				
		.374"	.157"	4,4-7,1 lb.in		.374"	.157"	4,4-7,1 lb.in	NEMA 1				
Approvals													

Accessories		Type	Part number	Type	Part number	Type	Part number
1	End section	grey	FEAD1 V0 th. 2,5 mm 1SNA 199 421 R1600	FEAD1 V0 th. 2,5 mm 1SNA 199 421 R1600			
		orange	FEAD1 V0 th. 2,5 mm 1SNA 199 422 R1700	FEAD1 V0 th. 2,5 mm 1SNA 199 422 R1700			
R	See section on markers	mode	On top RCAL85	On top RCAL85			

Type	Part number	Type	Part number	Type	Part number

Characteristics		IEC		UL		CSA		IEC		UL		CSA	
		NFC	DIN	NFC	DIN	NFC	DIN	NFC	DIN	NFC	DIN	NFC	DIN
Wire size	Screw												
	ADO												
Rated current short-circuit													
Rated wire size nominal / gauge													
Other characteristics		Wire strip. length	Recomm. screwdriver	Recomm. torque	Protection	Wire strip. length	Recomm. screwdriver	Recomm. torque	Protection	Wire strip. length	Recomm. screwdriver	Recomm. torque	Protection
Approvals													
Accessories		Type	Part number	Type	Part number	Type	Part number						

**Miniblocks
Insulation
Displacement
ADO - Screw clamp
Base mount with flanges**



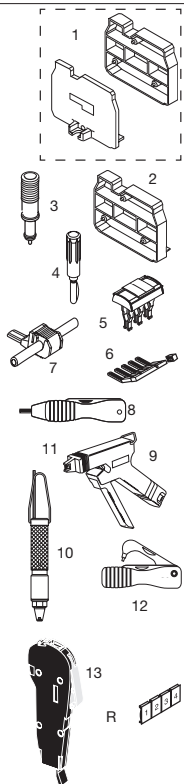
Ex refer to the section "Special Applications" for part numbers and characteristics.

For drilling patterns see page: assembly and accessories

Observations

Standard blocks 5 and 6 mm. For multiple wires connections, the two wires need to be of the **same gage and nature** (rigid or flexible). Terminal block body material is UL 94 V0.

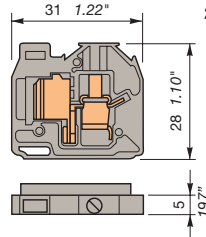
Accessories



1	End section (left+ right)	grey orange
2	Separator	grey orange
3	Test device	blue
4	Test plug	
5	Screwless jumper bar to be inserted into ADO jaw orange IP20	
6	Comb-type jumper bar	
7	Insulating tip	
8	IDC jumper	
9	Hand tool kit	
10	Semi automatic tool	
11	Pneumatic tool kit	
12	Replacement head kit	
13	Extraction tool kit	
13	Test connector	
R	See section on markers marking method	

DB 2,5/5.ADO

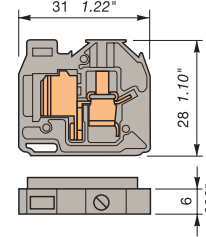
Spacing 5 mm + 0,05 .197"
ADO side
0,22 - 1 mm²
24 - 18 AWG



Screw side
0,2 - 2,5 mm²
22 - 12 AWG

DB 4/6.ADO

Spacing 6 mm + 0,05 .238"
ADO side
0,34 - 1,5 mm²
22 - 16 AWG



Screw side
0,2 - 4 mm²
22 - 10 AWG

Colour	Type	Part numbers
Grey	DB 2,5/5.ADO	1SNA 399 519 R0000
Blue	DB 2,5/5.N.ADO	1SNA 399 521 R2200
Orange	DB 2,5/5.ADO	1SNA 399 520 R0500

Colour	Type	Part numbers
Grey	DB 4/6.ADO	1SNA 299 505 R0700
Blue	DB 4/6.N.ADO	1SNA 299 507 R0100
Orange	DB 4/6.ADO	1SNA 299 506 R0000

Characteristics

Wire size	IEC		UL/CSA
	NFC	DIN	
Screw	Rigid	0,2-4 mm ²	24-12 AWG
	Flexible	0,22-2,5 mm ²	24-12 AWG
ADO	Rigid	0,2-1 mm ²	24-18 AWG
	Flexible	0,22-1 mm ²	24-18 AWG

Voltage		
Rated	800 V	600 V
Impulse withstand	8 kV	
Pollution degree	3	

Current		
Rated	13,5 A	10 A

Wire size			
Rated / Gauge	1 mm ²		18 AWG
Wire stripping length	Recommended screwdriver	Recommended torque	protection
9,5 mm .374"	3,5 mm .137"	0,4 - 0,6 Nm 3.5-5.3 ib.in	IP 20 NEMA 1

Characteristics

Wire size	IEC		UL/CSA
	NFC	DIN	
Screw	Rigid	0,2-4 mm ²	22-10 AWG
	Flexible	0,22-4 mm ²	22-10 AWG
ADO	Rigid	0,28-1,5 mm ²	22-16 AWG
	Flexible	0,34-1,5 mm ²	22-16 AWG

Voltage		
Rated	800 V	600 V
Impulse withstand	8 kV	
Pollution degree	3	

Current		
Rated	17,5 A	20 A

Wire size			
Rated / Gauge	1,5 mm ²		16 AWG
Wire stripping length	Recommended screwdriver	Recommended torque	protection
9,5 mm .374"	4 mm .157"	0,5 - 0,8 Nm 4.4-7.1 ib.in	IP 20 NEMA 1

Type	P/N	
FEAD3 V0	1SNA 199 437 R1600	
FEAD3 V0	1SNA 199 438 R2700	
FEAD3 V0	1SNA 199 433 R1200	
FEAD5 V0	th. 5,0 mm	1SNA 199 434 R1300
DCB	1SNA 105 028 R2100	
FC2	DIA. 2 mm	1SNA 007 865 R2600
BJADO5.2	17,5 A 2 poles	1SNA 205 955 R0300
BJADO5.3	17,5 A 3 poles	1SNA 205 956 R0400
BJADO5.4	17,5 A 4 poles	1SNA 205 957 R0500
BJADO5.5	17,5 A 5 poles	1SNA 205 958 R1600
BJADO5.10	17,5 A 10 poles	1SNA 205 963 R0300
BJADO5.20	17,5 A 20 poles	1SNA 205 973 R0500
PC5	30 A 2 poles	1SNA 113 542 R1000
PC5	30 A 10 poles	1SNA 113 544 R1200
EIP	1SNA 113 550 R2400	
AD2,5	24 A	1SNA 114 205 R2000
OUMAD	1SNA 179 466 R0600	
OUPAD	1SNA 178 944 R0400	
OUTAD	1SNA 205 710 R1100	
OUTA	1SNA 205 284 R0300	
EXAD2	1SNA 205 721 R0000	
CEADO.5	1SNA 399 345 R1100	
CEADOE	1SNA 399 341 R1500	

Type	P/N	
FEAD3 V0	1SNA 199 437 R1600	
FEAD3 V0	1SNA 199 438 R2700	
FEAD3 V0	1SNA 199 433 R1200	
FEAD5 V0	th. 5,0 mm	1SNA 199 434 R1300
DCJ	1SNA 173 059 R0300	
FC2	DIA. 2 mm	1SNA 007 865 R2600
BJADO6.2	17,5 A 2 poles	1SNA 205 974 R0600
BJADO6.3	17,5 A 3 poles	1SNA 205 975 R0700
BJADO6.4	17,5 A 4 poles	1SNA 205 976 R0000
BJADO6.5	17,5 A 5 poles	1SNA 205 977 R0100
BJADO6.10	17,5 A 10 poles	1SNA 205 982 R2700
BJADO6.20	17,5 A 20 poles	1SNA 205 992 R2100
PC6	35 A 2 poles	1SNA 113 546 R1400
PC6	35 A 3 poles	1SNA 116 536 R0500
PC6	35 A 4 poles	1SNA 116 537 R0600
PC6	35 A 10 poles	1SNA 113 548 R2600
EIP	1SNA 113 550 R2400	
AD2,5	24 A	1SNA 114 205 R2000
OUMAD	1SNA 179 466 R0600	
OUPAD	1SNA 178 944 R0400	
OUTAD	1SNA 205 710 R1100	
OUTA	1SNA 205 284 R0300	
EXAD2	1SNA 205 721 R0000	
CEADO.6	1SNA 399 346 R1200	
CEADOE	1SNA 399 341 R1500	

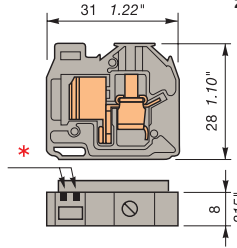
**Miniblocks
Insulation
Displacement
ADO - Screw clamp
Base mount with flanges**



DB 4/8.ADO

Spacing 8 mm + 0,05 .315"
ADO side
1 - 2,5 mm²
16 - 14 AWG

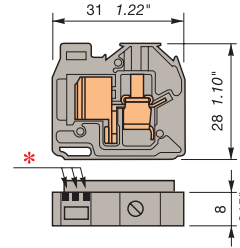
Screw side
0,2 - 4 mm²
22 - 10 AWG



DB 4/8.A.ADO3

Spacing 8 mm +0,05 .238"
ADO side
4 mm²
12 AWG

Screw side
0,2 - 4 mm²
22 - 12 AWG



Colour	Type	Part numbers
Grey	DB 4/8.ADO	1SNA 299 509 R1300
Blue	DB 4/8.N.ADO	1SNA 299 511 R2400
Orange	DB 4/8.ADO	1SNA 299 510 R0700

Colour	Type	Part numbers
Grey	DB 4/8.A.ADO3	1SNA 399 434 R2300
Blue	DB 4/8.A.N.ADO3	1SNA 399 436 R2500
Orange	DB 4/8.A.ADO3	1SNA 399 435 R2400

Characteristics

Wire size	IEC		UL/CSA
	NFC	DIN	
Screw	Rigid	0,2-4 mm ²	22-10 AWG
	Flexible	0,22-4 mm ²	22-10 AWG
ADO	Rigid	1-2,5 mm ²	16-14 AWG
	Flexible	1-2,5 mm ²	16-14 AWG

Characteristics

Wire size	IEC		UL/CSA
	NFC	DIN	pending
Screw	Rigid	0,2-4 mm ²	22-12 AWG
	Flexible	0,22-4 mm ²	22-12 AWG
ADO	Rigid	4 mm ²	12 AWG
	Flexible	4 mm ²	12 AWG

For drilling patterns see page: assembly and accessories

Observations

Terminal block body material is UL 94 V0.

DB 4/8.ADO block : for multiple wire connections, the two wires need to be of the **same gage and nature** (rigid or flexible).

DB 4/8.A.ADO3 block : connection of only one rigid or flexible 4 mm² wire.

* Notches to identify 8 mm spacing.

Voltage		800 V	600 V
Rated			
Impulse withstand	8 kV		
Pollution degree	3		

Current		24 A	25 A
Rated			

Wire size		2,5 mm ²	14 AWG
Rated / Gauge			
Wire stripping length	Recommended screwdriver	Recommended torque	protection
9,5 mm .374"	4 mm .157"	0,5 - 0,8 Nm 4,4 - 7,1 lb.in	IP 20 NEMA 1

Voltage		1000 V
Rated		
Impulse withstand		
Pollution degree	3	

Current		32 A
Rated		

Wire size		4 mm ²	
Rated / Gauge			
Wire stripping length	Recommended screwdriver	Recommended torque	protection
9,5 mm .374"	4 mm .157"	0,5 - 0,8 Nm 4,4 - 7,1 lb.in	IP 20 NEMA 1

Accessories

	1 End section (left+ right)	grey orange
	2 Separator	grey orange
	3 Test device	yellow
	4 Test plug	
	5 Comb-type jumper bar	
	6 IDC jumper	
	7 Hand tool kit	
	8 Semi automatic tool	
	9 Pneumatic tool kit	
	10 Replacement head kit	
	11 Extraction tool kit	
	R See section on markers marking method	

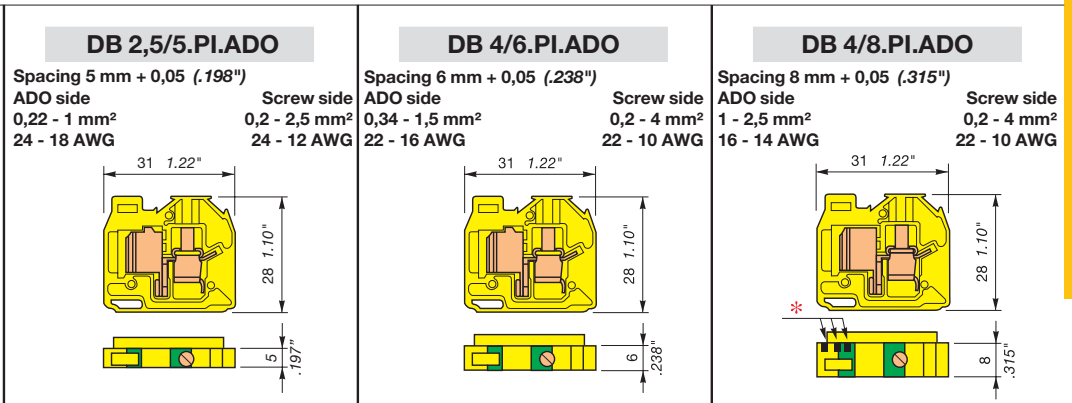
Type	P/N	
FEAD3	V0	1SNA 199 437 R1600
FEAD3	V0	1SNA 199 438 R2700
FEAD5	V0	th. 5,0 mm 1SNA 199 433 R1200
FEAD5	V0	th. 5,0 mm 1SNA 199 434 R1300
DCJ		1SNA 173 059 R0300
FC2	DIA. 2 mm	1SNA 007 865 R2600
PC8	50 A 2 poles	1SNA 116 538 R1700
PC8	50 A 3 poles	1SNA 116 539 R1000
PC8	50 A 4 poles	1SNA 116 540 R2500
PC8	50 A 10 poles	1SNA 163 313 R2400
AD2,5	24 A	1SNA 114 205 R2000
OUMAD		1SNA 179 466 R0600
OUPAD		1SNA 178 944 R0400
OUTAD		1SNA 205 710 R1100
OUTA		1SNA 205 284 R0300
EXAD2		1SNA 205 721 R0000

Type	P/N	
FEAD3	V0	1SNA 199 437 R1600
FEAD3	V0	1SNA 199 438 R2700
FEAD5	V0	th. 5,0 mm 1SNA 199 433 R1200
FEAD5	V0	th. 5,0 mm 1SNA 199 434 R1300
DCJ		1SNA 173 059 R0300
FC2	DIA. 2 mm	1SNA 007 865 R2600
PC8	50 A 2 poles	1SNA 116 538 R1700
PC8	50 A 3 poles	1SNA 116 539 R1000
PC8	50 A 4 poles	1SNA 116 540 R2500
PC8	50 A 10 poles	1SNA 163 313 R2400
AD2,5	24 A	1SNA 114 205 R2000
OUMAD		1SNA 179 466 R0600
OUPAD		1SNA 178 944 R0400
OUTAD		1SNA 205 710 R1100
OUTA		1SNA 205 284 R0300
EXAD2		1SNA 205 721 R0000

**Miniblocks
Insulation Displacement
ADO - Screw clamp for
ground terminal blocks not
electrically connected to the
mounting plate
Base mount with flanges in
mounting foot**



Other accessories of this terminal blocks:
see pages of same size standard blocks.



Type	Part number	Type	Part number	Type	Part number
Yellow body / Green marking					
■ DB 2,5/5.PI.ADO	1SNA 399 522 R2300	■ DB 4/6.PI.ADO	1SNA 299 508 R1200	■ DB 4/8.PI.ADO	1SNA 299 512 R2500

Characteristics

Wire size	Screw	Rigid Flexible	IEC		UL/CSA		NFC	IEC	DIN	UL/CSA		NFC	IEC	DIN	UL/CSA			
			NFC	DIN	UL/CSA	UL/CSA				UL/CSA	UL/CSA							
ADO	Rigid Flexible	Rigid	0,2-4 mm ²		24-12 AWG			0,2-4 mm ²			22-10 AWG			0,2-4 mm ²		22-10 AWG		
		Flexible	0,22-2,5 mm ²		24-12 AWG			0,22-4 mm ²			22-10 AWG			1-2,5 mm ²		16-14 AWG		
Rated current short-circuit			120 A/1 s.		18 AWG		180 A/1 s.		16 AWG		300 A/1 s.		14 AWG		14 AWG			
Rated wire size nominal / gauge			1 mm ²		18 AWG		1,5 mm ²		16 AWG		2,5 mm ²		14 AWG		14 AWG			
Other characteristics			Wire strip. length	Recomm. screwdriver	Recomm. torque	Protection	Wire strip. length	Recomm. screwdriver	Recomm. torque	Protection	Wire strip. length	Recomm. screwdriver	Recomm. torque	Protection	Wire strip. length	Recomm. screwdriver	Recomm. torque	Protection
			9,5 mm	3,5 mm	0,4-0,6 Nm	IP 20	9,5 mm	4 mm	0,5-0,8 Nm	IP 20	9,5 mm	4 mm	0,5-0,8 Nm	IP 20	9,5 mm	4 mm	0,5-0,8 Nm	IP 20
			.374"	.137"	3.5-5.3 lb.in	NEMA 1	.374"	.157"	4.4-7.1 lb.in	NEMA 1	.374"	.157"	4.4-7.1 lb.in	NEMA 1	.374"	.157"	4.4-7.1 lb.in	NEMA 1

Approvals



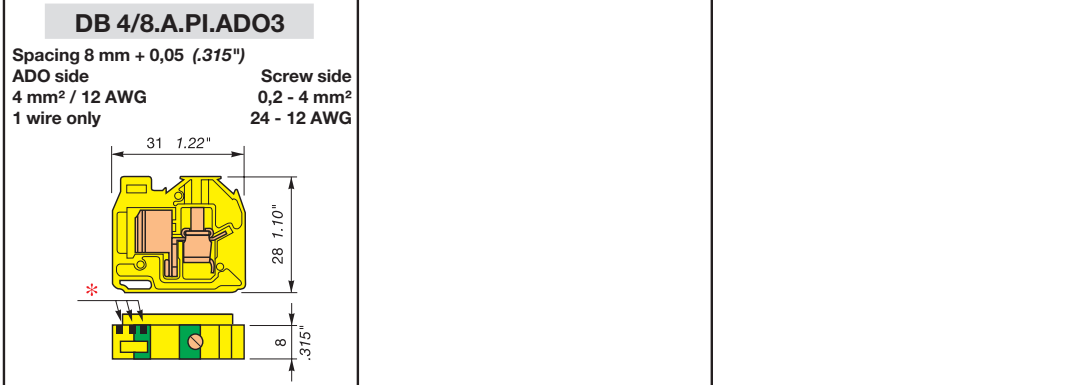
Accessories

Type	Part number	Type	Part number	Type	Part number
1 End section kit with flanges (left + right) grey orange	FEAD3 V0 1SNA 199 437 R1600 FEAD3 V0 1SNA 199 438 R2700	FEAD3 V0 1SNA 199 437 R1600 FEAD3 V0 1SNA 199 438 R2700	FEAD3 V0 1SNA 199 437 R1600 FEAD3 V0 1SNA 199 438 R2700	FEAD3 V0 1SNA 199 437 R1600 FEAD3 V0 1SNA 199 438 R2700	FEAD3 V0 1SNA 199 437 R1600 FEAD3 V0 1SNA 199 438 R2700
R See section on markers mode	On top RC55	On top RC65	On top RC65	On top RCAL85	On top RCAL85

**Miniblocks
Insulation Displacement
ADO - Screw clamp for
ground terminal blocks not
electrically connected to the
mounting plate
Base mount with flanges in
mounting foot**



Other accessories of this terminal blocks:
see pages of same size standard blocks.



Type	Part number	Type	Part number	Type	Part number
Yellow body / Green marking					
■ DB 4/8.A.PI.ADO3	1SNA 399 437 R2600				

Characteristics

Wire size	Screw	Rigid Flexible	IEC		UL/CSA		NFC	IEC	DIN	UL		NFC	IEC	DIN	UL		CSA	
			NFC	DIN	UL/CSA	UL/CSA				UL	UL				CSA			
ADO	Rigid Flexible	Rigid	0,2-4 mm ²		24-12 AWG													
		Flexible	0,22-4 mm ²		24-12 AWG													
Rated current short-circuit			480 A/1 s.		12 AWG													
Rated wire size nominal / gauge			4 mm ²		12 AWG													
Other characteristics			Wire strip. length	Recomm. screwdriver	Recomm. torque	Protection	Wire strip. length	Recomm. screwdriver	Recomm. torque	Protection	Wire strip. length	Recomm. screwdriver	Recomm. torque	Protection	Wire strip. length	Recomm. screwdriver	Recomm. torque	Protection
			9,5 mm	4 mm	0,5-0,8 Nm	IP 20												
			.374"	.157"	4.4-7.1 lb.in	NEMA 1												

Approvals



Accessories

Type	Part number	Type	Part number	Type	Part number
1 End section kit with flanges (left + right) grey orange	FEAD3 V0 1SNA 199 437 R1600 FEAD3 V0 1SNA 199 438 R2700				
R See section on markers mode	On top RCAL85				

Miniblocks Insulation Displacement



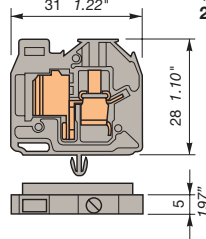
ADO - Screw clamp

Base mount with snap in mounting foot



DH 2,5/5.ADO

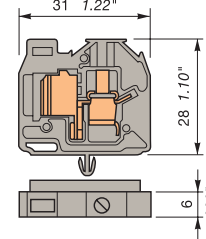
Spacing 5 mm + 0,05 (.198")
ADO side
0,22 - 1 mm²
24 - 18 AWG



Screw side
0,2 - 2,5 mm²
24 - 12 AWG

DH 4/6.ADO

Spacing 6 mm + 0,05 (.238")
ADO side
0,34 - 1,5 mm²
22 - 16 AWG



Screw side
0,2 - 4 mm²
22 - 10 AWG

Colour	Type	Part numbers	Colour	Type	Part numbers
Grey	DH 2,5/5.ADO	1SNA 399 523 R2400	Grey	DH 4/6.ADO	1SNA 299 521 R2600
Blue	DH 2,5/5.N.ADO	1SNA 399 525 R2600	Blue	DH 4/6.N.ADO	1SNA 299 523 R2000
Orange	DH 2,5/5.ADO	1SNA 399 524 R2500	Orange	DH 4/6.ADO	1SNA 299 522 R2700

Characteristics

Wire size	IEC		UL/CSA
	NFC	DIN	
Screw	Rigid	0,2-4 mm ²	24-12 AWG
	Flexible	0,22-2,5 mm ²	24-12 AWG
ADO	Rigid	0,2-1 mm ²	24-18 AWG
	Flexible	0,22-1 mm ²	24-18 AWG

Characteristics

Wire size	IEC		UL/CSA
	NFC	DIN	
Screw	Rigid	0,2-4 mm ²	22-10 AWG
	Flexible	0,22-4 mm ²	22-10 AWG
ADO	Rigid	0,28-1,5 mm ²	22-16 AWG
	Flexible	0,34-1,5 mm ²	22-16 AWG

For drilling pattern see page: assembly and accessories

Observations

Standard blocks 5 and 6 mm. For multiple wires connections, the two wires need to be of the same gage and nature (rigid or flexible). Terminal block body material is UL 94 V0.

Voltage				Voltage					
Rated	800 V		600 V		Rated	800 V		600 V	
Impulse withstand	8 kV				Impulse withstand	8 kV			
Pollution degree	3				Pollution degree	3			
Current				Current					
Rated	13,5 A		10 A		Rated	17,5 A		20 A	
Wire size				Wire size					
Rated / Gauge	1 mm ²		18 AWG		Rated / Gauge	1,5 mm ²		16 AWG	
Wire stripping length	Recommended screwdriver	Recommended torque	protection		Wire stripping length	Recommended screwdriver	Recommended torque	protection	
9,5 mm .374"	3,5 mm .137"	0,4 - 0,6 Nm 3.5-5.3 ib.in	IP 20 NEMA 1		9,5 mm .374"	4 mm .157"	0,5 - 0,8 Nm 4.4-7.1 ib.in	IP 20 NEMA 1	

Accessories

Type	P/N
1 End section	grey FEAD1 V0 th. 2,5 mm 1SNA 199 421 R1600
	orange FEAD1 V0 th. 2,5 mm 1SNA 199 422 R1700
2 Separator	grey FEAD5 V0 th. 5,0 mm 1SNA 199 433 R1200
	orange FEAD5 V0 th. 5,0 mm 1SNA 199 434 R1300
3 Test device	yellow DCB 1SNA 173 059 R0300
4 Test plug	FC2 DIA. 2 mm 1SNA 007 865 R2600
5 Screwless jumper bar to be inserted into ADO jaw orange IP20	BJADO5.2 17,5 A 2 poles 1SNA 205 955 R0300
	BJADO5.3 17,5 A 3 poles 1SNA 205 956 R0400
	BJADO5.4 17,5 A 4 poles 1SNA 205 957 R0500
	BJADO5.5 17,5 A 5 poles 1SNA 205 958 R1600
	BJADO5.10 17,5 A 10 poles 1SNA 205 963 R0300
	BJADO5.20 17,5 A 20 poles 1SNA 205 973 R0500
6 Comb-type jumper bar	PC5 30 A 2 poles 1SNA 113 542 R1000
	PC5 30 A 10 poles 1SNA 113 544 R1200
	EIP 1SNA 113 550 R2400
7 IDC jumper	AD2,5 24 A 1SNA 114 205 R2000
8 Hand tool kit	OUMAD 1SNA 179 466 R0600
9 Semi automatic tool	OUPAD 1SNA 178 944 R0400
10 Pneumatic tool kit	OUTAD 1SNA 205 710 R1100
11 Replacement head kit	OUTA 1SNA 205 284 R0300
12 Extraction tool kit	EXAD2 1SNA 205 721 R0000
13 Test connector	CEADO.5 1SNA 399 345 R1100
	CEADOE 1SNA 399 341 R1500
R See section on markers marking method	

Type	P/N
FEAD1 V0 th. 2,5 mm	1SNA 199 421 R1600
FEAD1 V0 th. 2,5 mm	1SNA 199 422 R1700
FEAD5 V0 th. 5,0 mm	1SNA 199 433 R1200
FEAD5 V0 th. 5,0 mm	1SNA 199 434 R1300
DCB	1SNA 173 059 R0300
FC2 DIA. 2 mm	1SNA 007 865 R2600
BJADO6.2 17,5 A 2 poles	1SNA 205 974 R0600
BJADO6.3 17,5 A 3 poles	1SNA 205 975 R0700
BJADO6.4 17,5 A 4 poles	1SNA 205 976 R0800
BJADO6.5 17,5 A 5 poles	1SNA 205 977 R0900
BJADO6.10 17,5 A 10 poles	1SNA 205 982 R2700
BJADO6.20 17,5 A 20 poles	1SNA 205 992 R2100
PC6 35 A 2 poles	1SNA 113 546 R1400
PC6 35 A 3 poles	1SNA 116 536 R0500
PC6 35 A 4 poles	1SNA 116 537 R0600
PC6 35 A 10 poles	1SNA 113 548 R2600
EIP	1SNA 113 550 R2400
AD2,5 24 A	1SNA 114 205 R2000
OUMAD	1SNA 179 466 R0600
OUPAD	1SNA 178 944 R0400
OUTAD	1SNA 205 710 R1100
OUTA	1SNA 205 284 R0300
EXAD2	1SNA 205 721 R0000
CEADO.6	1SNA 399 346 R1200
CEADOE	1SNA 399 341 R1500
On top	RC55
On top	RC65

Miniblocks Insulation Displacement



ADO - Screw clamp

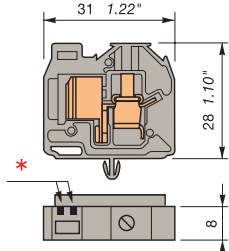
Base mount with snap in mounting foot



DH 4/8.ADO

Spacing 8 mm + 0,05 (.315")
ADO side
1 - 2,5 mm²
16 - 14 AWG

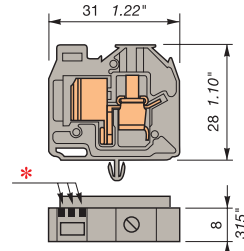
Screw side
0,2 - 4 mm²
22 - 10 AWG



DH 4/8.A.ADO3

Spacing 8 mm +0,05 .238"
ADO side
4 mm²
12 AWG

Screw side
0,2 - 4 mm²
22 - 12 AWG



Colour	Type	Part numbers
Grey	DH 4/8.ADO	1SNA 299 525 R2200
Blue	DH 4/8.N.ADO	1SNA 299 527 R2400
Orange	DH 4/8.ADO	1SNA 299 526 R2300

Colour	Type	Part numbers
Grey	DH 4/8.A.ADO3	1SNA 399 438 R0700
Blue	DH 4/8.A.N.ADO3	1SNA 399 440 R1500
Orange	DH 4/8.A.ADO3	1SNA 399 439 R0000

Characteristics

Wire size	IEC		UL/CSA
	NFC	DIN	
Screw	Rigid	0,2-4 mm ²	22-10 AWG
	Flexible	0,22-4 mm ²	22-10 AWG
ADO	Rigid	1-2,5 mm ²	16-14 AWG
	Flexible	1-2,5 mm ²	16-14 AWG

Characteristics

Wire size	IEC		UL/CSA
	NFC	DIN	pending
Screw	Rigid	0,2-4 mm ²	22-12 AWG
	Flexible	0,22-4 mm ²	22-12 AWG
ADO	Rigid	4 mm ²	12 AWG
	Flexible	4 mm ²	12 AWG

For drilling pattern see page: assembly and accessories

Observations

Terminal block body material is UL 94 V0.

DH 4/8.ADO block : for multiple wire connections, the two wires need to be of the **same gage and nature** (rigid or flexible).

DH 4/8.A.ADO3 block : connection of only one rigid or flexible 4 mm² wire.

* Notches to identify 8 mm spacing.

Voltage		800 V	600 V
Rated			
Impulse withstand	8 kV		
Pollution degree	3		

Current		24 A	25 A
Rated			

Wire size		2,5 mm ²	14 AWG
Rated / Gauge			
Wire stripping length	Recommended screwdriver	Recommended torque	protection
9,5 mm .374"	4 mm .157"	0,5 - 0,8 Nm 4,4 - 7,1 lb.in	IP 20 NEMA 1

Voltage		1000 V
Rated		
Impulse withstand		
Pollution degree	3	

Current		32 A
Rated		

Wire size		4 mm ²	12 AWG
Rated / Gauge			
Wire stripping length	Recommended screwdriver	Recommended torque	protection
9,5 mm .374"	4 mm .157"	0,5 - 0,8 Nm 4,4 - 7,1 lb.in	IP 20 NEMA 1

Accessories

	1 End section	grey
	2 Separator	orange
	3 Test device	grey
	4 Test plug	orange
	5 Comb-type jumper bar	yellow
	6 IDC jumper	
	7 Hand tool kit	
	8 Semi automatic tool	
	9 Pneumatic tool kit	
	10 Replacement head kit	
	11 Extraction tool kit	
	R See section on markers marking method	

Type		P/N
FEAD1	V0 th. 2,5 mm	1SNA 199 421 R1600
FEAD1	V0 th. 2,5 mm	1SNA 199 422 R1700
FEAD5	V0 th. 5,0 mm	1SNA 199 433 R1200
FEAD5	V0 th. 5,0 mm	1SNA 199 434 R1300
DCJ		1SNA 173 059 R0300
FC2	DIA. 2 mm	1SNA 007 865 R2600
PC8	50 A 2 poles	1SNA 116 538 R1700
PC8	50 A 3 poles	1SNA 116 539 R1000
PC8	50 A 4 poles	1SNA 116 540 R2500
PC8	50 A 10 poles	1SNA 163 313 R2400
AD2,5	24 A	1SNA 114 205 R2000
OUMAD		1SNA 179 466 R0600
OUPAD		1SNA 178 944 R0400
OUTAD		1SNA 205 710 R1100
OUTA		1SNA 205 284 R0300
EXAD2		1SNA 205 721 R0000

Type		P/N
FEAD1	V0 th. 2,5 mm	1SNA 199 421 R1600
FEAD1	V0 th. 2,5 mm	1SNA 199 422 R1700
FEAD5	V0 th. 5,0 mm	1SNA 199 433 R1200
FEAD5	V0 th. 5,0 mm	1SNA 199 434 R1300
DCJ		1SNA 173 059 R0300
FC2	DIA. 2 mm	1SNA 007 865 R2600
PC8	50 A 2 poles	1SNA 116 538 R1700
PC8	50 A 3 poles	1SNA 116 539 R1000
PC8	50 A 4 poles	1SNA 116 540 R2500
PC8	50 A 10 poles	1SNA 163 313 R2400
AD2,5	24 A	1SNA 114 205 R2000
OUMAD		1SNA 179 466 R0600
OUPAD		1SNA 178 944 R0400
OUTAD		1SNA 205 710 R1100
OUTA		1SNA 205 284 R0300
EXAD2		1SNA 205 721 R0000

On top RCAL85

On top RCAL85

Miniblocks Insulation Displacement

ADO - Screw clamp
ground terminal blocks not electrically connected to the mounting plate
Base mount with snap in mounting foot



Other accessories of this terminal blocks: see pages of same size standard blocks.

		DH 2,5/5.PI.ADO				DH 4/6.PI.ADO				DH 4/8.PI.ADO																																																																																																																																																																																																			
		Spacing 5 mm +0,05 (.198") ADO side 0,22 - 1 mm ² 24 - 18 AWG Screw side 0,2 - 2,5 mm ² 24 - 12 AWG				Spacing 6 mm +0,05 (.238") ADO side 0,34 - 1,5 mm ² 22 - 16 AWG Screw side 0,2 - 4 mm ² 22 - 10 AWG				Spacing 8 mm +0,05 (.315") ADO side 1 - 2,5 mm ² 16 - 14 AWG Screw side 0,2 - 4 mm ² 22 - 10 AWG																																																																																																																																																																																																			
Type		Part number				Type				Part number																																																																																																																																																																																																			
Yellow body / Green marking		■ DH 2,5/5.PI.ADO 1SNA 399 526 R2700				■ DH 4/6.PI.ADO 1SNA 299 524 R2100				■ DH 4/8.PI.ADO 1SNA 299 528 R0500																																																																																																																																																																																																			
Characteristics		<table border="1"> <thead> <tr> <th colspan="2"></th> <th colspan="2">IEC</th> <th colspan="2">UL/CSA</th> </tr> <tr> <th colspan="2"></th> <th>NFC</th> <th>DIN</th> <th colspan="2">UL/CSA</th> </tr> </thead> <tbody> <tr> <td rowspan="2">Wire size</td> <td>Screw</td> <td colspan="2">0,2 - 4 mm²</td> <td colspan="2">24-12 AWG</td> </tr> <tr> <td>ADO</td> <td colspan="2">0,22 - 2,5 mm²</td> <td colspan="2">24-12 AWG</td> </tr> <tr> <td rowspan="2"></td> <td>Rigid</td> <td colspan="2">0,2 - 1 mm²</td> <td colspan="2">24-18 AWG</td> </tr> <tr> <td>Flexible</td> <td colspan="2">0,22 - 1 mm²</td> <td colspan="2">24-18 AWG</td> </tr> <tr> <td colspan="2">Rated current short-circuit</td> <td colspan="2">120 A / 1 s.</td> <td colspan="2">180 A / 1 s.</td> </tr> <tr> <td colspan="2">Rated wire size nominal / gauge</td> <td colspan="2">1 mm²</td> <td colspan="2">18 AWG</td> </tr> <tr> <td colspan="2">Other characteristics</td> <td>Wire strip. length</td> <td>Recomm. screwdriver</td> <td>Recomm. torque</td> <td>Protection</td> </tr> <tr> <td colspan="2"></td> <td>9,5 mm</td> <td>3,5 mm</td> <td>0,4-0,6 Nm</td> <td>IP 20</td> </tr> <tr> <td colspan="2"></td> <td>.374"</td> <td>.137"</td> <td>3,5-5,3 lb.in</td> <td>NEMA 1</td> </tr> </tbody> </table>						IEC		UL/CSA				NFC	DIN	UL/CSA		Wire size	Screw	0,2 - 4 mm ²		24-12 AWG		ADO	0,22 - 2,5 mm ²		24-12 AWG			Rigid	0,2 - 1 mm ²		24-18 AWG		Flexible	0,22 - 1 mm ²		24-18 AWG		Rated current short-circuit		120 A / 1 s.		180 A / 1 s.		Rated wire size nominal / gauge		1 mm ²		18 AWG		Other characteristics		Wire strip. length	Recomm. screwdriver	Recomm. torque	Protection			9,5 mm	3,5 mm	0,4-0,6 Nm	IP 20			.374"	.137"	3,5-5,3 lb.in	NEMA 1	<table border="1"> <thead> <tr> <th colspan="2"></th> <th colspan="2">IEC</th> <th colspan="2">UL/CSA</th> </tr> <tr> <th colspan="2"></th> <th>NFC</th> <th>DIN</th> <th colspan="2">UL/CSA</th> </tr> </thead> <tbody> <tr> <td rowspan="2">Wire size</td> <td>Screw</td> <td colspan="2">0,2 - 4 mm²</td> <td colspan="2">22-10 AWG</td> </tr> <tr> <td>ADO</td> <td colspan="2">0,22 - 4 mm²</td> <td colspan="2">22-10 AWG</td> </tr> <tr> <td rowspan="2"></td> <td>Rigid</td> <td colspan="2">0,28 - 1,5 mm²</td> <td colspan="2">22-16 AWG</td> </tr> <tr> <td>Flexible</td> <td colspan="2">0,34 - 1,5 mm²</td> <td colspan="2">22-16 AWG</td> </tr> <tr> <td colspan="2">Rated current short-circuit</td> <td colspan="2">180 A / 1 s.</td> <td colspan="2">300 A / 1 s.</td> </tr> <tr> <td colspan="2">Rated wire size nominal / gauge</td> <td colspan="2">1,5 mm²</td> <td colspan="2">16 AWG</td> </tr> <tr> <td colspan="2">Other characteristics</td> <td>Wire strip. length</td> <td>Recomm. screwdriver</td> <td>Recomm. torque</td> <td>Protection</td> </tr> <tr> <td colspan="2"></td> <td>9,5 mm</td> <td>4 mm</td> <td>0,5-0,8 Nm</td> <td>IP 20</td> </tr> <tr> <td colspan="2"></td> <td>.374"</td> <td>.157"</td> <td>4,4-7,1 lb.in</td> <td>NEMA 1</td> </tr> </tbody> </table>						IEC		UL/CSA				NFC	DIN	UL/CSA		Wire size	Screw	0,2 - 4 mm ²		22-10 AWG		ADO	0,22 - 4 mm ²		22-10 AWG			Rigid	0,28 - 1,5 mm ²		22-16 AWG		Flexible	0,34 - 1,5 mm ²		22-16 AWG		Rated current short-circuit		180 A / 1 s.		300 A / 1 s.		Rated wire size nominal / gauge		1,5 mm ²		16 AWG		Other characteristics		Wire strip. length	Recomm. screwdriver	Recomm. torque	Protection			9,5 mm	4 mm	0,5-0,8 Nm	IP 20			.374"	.157"	4,4-7,1 lb.in	NEMA 1	<table border="1"> <thead> <tr> <th colspan="2"></th> <th colspan="2">IEC</th> <th colspan="2">UL/CSA</th> </tr> <tr> <th colspan="2"></th> <th>NFC</th> <th>DIN</th> <th colspan="2">UL/CSA</th> </tr> </thead> <tbody> <tr> <td rowspan="2">Wire size</td> <td>Screw</td> <td colspan="2">0,2 - 4 mm²</td> <td colspan="2">22-10 AWG</td> </tr> <tr> <td>ADO</td> <td colspan="2">0,22 - 4 mm²</td> <td colspan="2">22-10 AWG</td> </tr> <tr> <td rowspan="2"></td> <td>Rigid</td> <td colspan="2">1 - 2,5 mm²</td> <td colspan="2">16-14 AWG</td> </tr> <tr> <td>Flexible</td> <td colspan="2">1 - 2,5 mm²</td> <td colspan="2">16-14 AWG</td> </tr> <tr> <td colspan="2">Rated current short-circuit</td> <td colspan="2">300 A / 1 s.</td> <td colspan="2">300 A / 1 s.</td> </tr> <tr> <td colspan="2">Rated wire size nominal / gauge</td> <td colspan="2">2,5 mm²</td> <td colspan="2">14 AWG</td> </tr> <tr> <td colspan="2">Other characteristics</td> <td>Wire strip. length</td> <td>Recomm. screwdriver</td> <td>Recomm. torque</td> <td>Protection</td> </tr> <tr> <td colspan="2"></td> <td>9,5 mm</td> <td>4 mm</td> <td>0,5-0,8 Nm</td> <td>IP 20</td> </tr> <tr> <td colspan="2"></td> <td>.374"</td> <td>.157"</td> <td>4,4-7,1 lb.in</td> <td>NEMA 1</td> </tr> </tbody> </table>						IEC		UL/CSA				NFC	DIN	UL/CSA		Wire size	Screw	0,2 - 4 mm ²		22-10 AWG		ADO	0,22 - 4 mm ²		22-10 AWG			Rigid	1 - 2,5 mm ²		16-14 AWG		Flexible	1 - 2,5 mm ²		16-14 AWG		Rated current short-circuit		300 A / 1 s.		300 A / 1 s.		Rated wire size nominal / gauge		2,5 mm ²		14 AWG		Other characteristics		Wire strip. length	Recomm. screwdriver	Recomm. torque	Protection			9,5 mm	4 mm	0,5-0,8 Nm	IP 20			.374"	.157"	4,4-7,1 lb.in	NEMA 1
		IEC		UL/CSA																																																																																																																																																																																																									
		NFC	DIN	UL/CSA																																																																																																																																																																																																									
Wire size	Screw	0,2 - 4 mm ²		24-12 AWG																																																																																																																																																																																																									
	ADO	0,22 - 2,5 mm ²		24-12 AWG																																																																																																																																																																																																									
	Rigid	0,2 - 1 mm ²		24-18 AWG																																																																																																																																																																																																									
	Flexible	0,22 - 1 mm ²		24-18 AWG																																																																																																																																																																																																									
Rated current short-circuit		120 A / 1 s.		180 A / 1 s.																																																																																																																																																																																																									
Rated wire size nominal / gauge		1 mm ²		18 AWG																																																																																																																																																																																																									
Other characteristics		Wire strip. length	Recomm. screwdriver	Recomm. torque	Protection																																																																																																																																																																																																								
		9,5 mm	3,5 mm	0,4-0,6 Nm	IP 20																																																																																																																																																																																																								
		.374"	.137"	3,5-5,3 lb.in	NEMA 1																																																																																																																																																																																																								
		IEC		UL/CSA																																																																																																																																																																																																									
		NFC	DIN	UL/CSA																																																																																																																																																																																																									
Wire size	Screw	0,2 - 4 mm ²		22-10 AWG																																																																																																																																																																																																									
	ADO	0,22 - 4 mm ²		22-10 AWG																																																																																																																																																																																																									
	Rigid	0,28 - 1,5 mm ²		22-16 AWG																																																																																																																																																																																																									
	Flexible	0,34 - 1,5 mm ²		22-16 AWG																																																																																																																																																																																																									
Rated current short-circuit		180 A / 1 s.		300 A / 1 s.																																																																																																																																																																																																									
Rated wire size nominal / gauge		1,5 mm ²		16 AWG																																																																																																																																																																																																									
Other characteristics		Wire strip. length	Recomm. screwdriver	Recomm. torque	Protection																																																																																																																																																																																																								
		9,5 mm	4 mm	0,5-0,8 Nm	IP 20																																																																																																																																																																																																								
		.374"	.157"	4,4-7,1 lb.in	NEMA 1																																																																																																																																																																																																								
		IEC		UL/CSA																																																																																																																																																																																																									
		NFC	DIN	UL/CSA																																																																																																																																																																																																									
Wire size	Screw	0,2 - 4 mm ²		22-10 AWG																																																																																																																																																																																																									
	ADO	0,22 - 4 mm ²		22-10 AWG																																																																																																																																																																																																									
	Rigid	1 - 2,5 mm ²		16-14 AWG																																																																																																																																																																																																									
	Flexible	1 - 2,5 mm ²		16-14 AWG																																																																																																																																																																																																									
Rated current short-circuit		300 A / 1 s.		300 A / 1 s.																																																																																																																																																																																																									
Rated wire size nominal / gauge		2,5 mm ²		14 AWG																																																																																																																																																																																																									
Other characteristics		Wire strip. length	Recomm. screwdriver	Recomm. torque	Protection																																																																																																																																																																																																								
		9,5 mm	4 mm	0,5-0,8 Nm	IP 20																																																																																																																																																																																																								
		.374"	.157"	4,4-7,1 lb.in	NEMA 1																																																																																																																																																																																																								
Approvals																																																																																																																																																																																																													
Accessories		Type				Type				Type																																																																																																																																																																																																			
1 End section		grey orange FEAD1 V0 th. 2,5 mm 1SNA 199 421 R1600 FEAD1 V0 th. 2,5 mm 1SNA 199 422 R1700				FEAD1 V0 th. 2,5 mm 1SNA 199 421 R1600 FEAD1 V0 th. 2,5 mm 1SNA 199 422 R1700				FEAD1 V0 th. 2,5 mm 1SNA 199 421 R1600 FEAD1 V0 th. 2,5 mm 1SNA 199 422 R1700																																																																																																																																																																																																			
R See section on markers		mode On top RC55				mode On top RC65				mode On top RCAL85																																																																																																																																																																																																			

Miniblocks Insulation Displacement

ADO - Screw clamp
ground terminal blocks not electrically connected to the mounting plate
Base mount with snap in mounting foot



Other accessories of this terminal blocks: see pages of same size standard blocks.

		DH 4/8.A.PI.ADO3																																																																																																																																																																																																																																																							
		Spacing 8 mm +0,05 (.315") ADO side 4 mm ² / 12 AWG 1 wire only Screw side 0,2 - 4 mm ² 24 - 12 AWG																																																																																																																																																																																																																																																							
Type		Part number				Type				Part number																																																																																																																																																																																																																																															
Yellow body / Green marking		■ DH 4/8.A.PI.ADO3 1SNA 399 441 R0200																																																																																																																																																																																																																																																							
Characteristics		<table border="1"> <thead> <tr> <th colspan="2"></th> <th colspan="2">IEC</th> <th colspan="2">UL/CSA</th> </tr> <tr> <th colspan="2"></th> <th>NFC</th> <th>DIN</th> <th colspan="2">pending</th> </tr> </thead> <tbody> <tr> <td rowspan="2">Wire size</td> <td>Screw</td> <td colspan="2">0,2 - 4 mm²</td> <td colspan="2">24-12 AWG</td> </tr> <tr> <td>ADO</td> <td colspan="2">0,22 - 4 mm²</td> <td colspan="2">24-12 AWG</td> </tr> <tr> <td rowspan="2"></td> <td>Rigid</td> <td colspan="2">4 mm²</td> <td colspan="2">12 AWG</td> </tr> <tr> <td>Flexible</td> <td colspan="2">4 mm²</td> <td colspan="2">12 AWG</td> </tr> <tr> <td colspan="2">Rated current short-circuit</td> <td colspan="2">480 A / 1 s.</td> <td colspan="2">12 AWG</td> </tr> <tr> <td colspan="2">Rated wire size nominal / gauge</td> <td colspan="2">4 mm²</td> <td colspan="2">12 AWG</td> </tr> <tr> <td colspan="2">Other characteristics</td> <td>Wire strip. length</td> <td>Recomm. screwdriver</td> <td>Recomm. torque</td> <td>Protection</td> </tr> <tr> <td colspan="2"></td> <td>9,5 mm</td> <td>4 mm</td> <td>0,5-0,8 Nm</td> <td>IP 20</td> </tr> <tr> <td colspan="2"></td> <td>.374"</td> <td>.157"</td> <td>4,4-7,1 lb.in</td> <td>NEMA 1</td> </tr> </tbody> </table>						IEC		UL/CSA				NFC	DIN	pending		Wire size	Screw	0,2 - 4 mm ²		24-12 AWG		ADO	0,22 - 4 mm ²		24-12 AWG			Rigid	4 mm ²		12 AWG		Flexible	4 mm ²		12 AWG		Rated current short-circuit		480 A / 1 s.		12 AWG		Rated wire size nominal / gauge		4 mm ²		12 AWG		Other characteristics		Wire strip. length	Recomm. screwdriver	Recomm. torque	Protection			9,5 mm	4 mm	0,5-0,8 Nm	IP 20			.374"	.157"	4,4-7,1 lb.in	NEMA 1	<table border="1"> <thead> <tr> <th colspan="2"></th> <th colspan="2">IEC</th> <th colspan="2">UL</th> <th colspan="2">CSA</th> </tr> <tr> <th colspan="2"></th> <th>NFC</th> <th>DIN</th> <th colspan="2"></th> <th colspan="2"></th> </tr> </thead> <tbody> <tr> <td rowspan="2">Wire size</td> <td>Screw</td> <td colspan="2">0,2 - 4 mm²</td> <td colspan="2"></td> <td colspan="2"></td> </tr> <tr> <td>ADO</td> <td colspan="2">0,22 - 4 mm²</td> <td colspan="2"></td> <td colspan="2"></td> </tr> <tr> <td rowspan="2"></td> <td>Rigid</td> <td colspan="2">4 mm²</td> <td colspan="2"></td> <td colspan="2"></td> </tr> <tr> <td>Flexible</td> <td colspan="2">4 mm²</td> <td colspan="2"></td> <td colspan="2"></td> </tr> <tr> <td colspan="2">Rated current short-circuit</td> <td colspan="2">480 A / 1 s.</td> <td colspan="2"></td> <td colspan="2"></td> </tr> <tr> <td colspan="2">Rated wire size nominal / gauge</td> <td colspan="2">4 mm²</td> <td colspan="2"></td> <td colspan="2"></td> </tr> <tr> <td colspan="2">Other characteristics</td> <td>Wire strip. length</td> <td>Recomm. screwdriver</td> <td>Recomm. torque</td> <td>Protection</td> <td>Wire strip. length</td> <td>Recomm. screwdriver</td> </tr> <tr> <td colspan="2"></td> <td>9,5 mm</td> <td>4 mm</td> <td>0,5-0,8 Nm</td> <td>IP 20</td> <td>9,5 mm</td> <td>4 mm</td> </tr> <tr> <td colspan="2"></td> <td>.374"</td> <td>.157"</td> <td>4,4-7,1 lb.in</td> <td>NEMA 1</td> <td>.374"</td> <td>.157"</td> </tr> </tbody> </table>						IEC		UL		CSA				NFC	DIN					Wire size	Screw	0,2 - 4 mm ²						ADO	0,22 - 4 mm ²							Rigid	4 mm ²						Flexible	4 mm ²						Rated current short-circuit		480 A / 1 s.						Rated wire size nominal / gauge		4 mm ²						Other characteristics		Wire strip. length	Recomm. screwdriver	Recomm. torque	Protection	Wire strip. length	Recomm. screwdriver			9,5 mm	4 mm	0,5-0,8 Nm	IP 20	9,5 mm	4 mm			.374"	.157"	4,4-7,1 lb.in	NEMA 1	.374"	.157"	<table border="1"> <thead> <tr> <th colspan="2"></th> <th colspan="2">IEC</th> <th colspan="2">UL</th> <th colspan="2">CSA</th> </tr> <tr> <th colspan="2"></th> <th>NFC</th> <th>DIN</th> <th colspan="2"></th> <th colspan="2"></th> </tr> </thead> <tbody> <tr> <td rowspan="2">Wire size</td> <td>Screw</td> <td colspan="2">0,2 - 4 mm²</td> <td colspan="2"></td> <td colspan="2"></td> </tr> <tr> <td>ADO</td> <td colspan="2">0,22 - 4 mm²</td> <td colspan="2"></td> <td colspan="2"></td> </tr> <tr> <td rowspan="2"></td> <td>Rigid</td> <td colspan="2">4 mm²</td> <td colspan="2"></td> <td colspan="2"></td> </tr> <tr> <td>Flexible</td> <td colspan="2">4 mm²</td> <td colspan="2"></td> <td colspan="2"></td> </tr> <tr> <td colspan="2">Rated current short-circuit</td> <td colspan="2">480 A / 1 s.</td> <td colspan="2"></td> <td colspan="2"></td> </tr> <tr> <td colspan="2">Rated wire size nominal / gauge</td> <td colspan="2">4 mm²</td> <td colspan="2"></td> <td colspan="2"></td> </tr> <tr> <td colspan="2">Other characteristics</td> <td>Wire strip. length</td> <td>Recomm. screwdriver</td> <td>Recomm. torque</td> <td>Protection</td> <td>Wire strip. length</td> <td>Recomm. screwdriver</td> </tr> <tr> <td colspan="2"></td> <td>9,5 mm</td> <td>4 mm</td> <td>0,5-0,8 Nm</td> <td>IP 20</td> <td>9,5 mm</td> <td>4 mm</td> </tr> <tr> <td colspan="2"></td> <td>.374"</td> <td>.157"</td> <td>4,4-7,1 lb.in</td> <td>NEMA 1</td> <td>.374"</td> <td>.157"</td> </tr> </tbody> </table>						IEC		UL		CSA				NFC	DIN					Wire size	Screw	0,2 - 4 mm ²						ADO	0,22 - 4 mm ²							Rigid	4 mm ²						Flexible	4 mm ²						Rated current short-circuit		480 A / 1 s.						Rated wire size nominal / gauge		4 mm ²						Other characteristics		Wire strip. length	Recomm. screwdriver	Recomm. torque	Protection	Wire strip. length	Recomm. screwdriver			9,5 mm	4 mm	0,5-0,8 Nm	IP 20	9,5 mm	4 mm			.374"	.157"	4,4-7,1 lb.in	NEMA 1	.374"	.157"
		IEC		UL/CSA																																																																																																																																																																																																																																																					
		NFC	DIN	pending																																																																																																																																																																																																																																																					
Wire size	Screw	0,2 - 4 mm ²		24-12 AWG																																																																																																																																																																																																																																																					
	ADO	0,22 - 4 mm ²		24-12 AWG																																																																																																																																																																																																																																																					
	Rigid	4 mm ²		12 AWG																																																																																																																																																																																																																																																					
	Flexible	4 mm ²		12 AWG																																																																																																																																																																																																																																																					
Rated current short-circuit		480 A / 1 s.		12 AWG																																																																																																																																																																																																																																																					
Rated wire size nominal / gauge		4 mm ²		12 AWG																																																																																																																																																																																																																																																					
Other characteristics		Wire strip. length	Recomm. screwdriver	Recomm. torque	Protection																																																																																																																																																																																																																																																				
		9,5 mm	4 mm	0,5-0,8 Nm	IP 20																																																																																																																																																																																																																																																				
		.374"	.157"	4,4-7,1 lb.in	NEMA 1																																																																																																																																																																																																																																																				
		IEC		UL		CSA																																																																																																																																																																																																																																																			
		NFC	DIN																																																																																																																																																																																																																																																						
Wire size	Screw	0,2 - 4 mm ²																																																																																																																																																																																																																																																							
	ADO	0,22 - 4 mm ²																																																																																																																																																																																																																																																							
	Rigid	4 mm ²																																																																																																																																																																																																																																																							
	Flexible	4 mm ²																																																																																																																																																																																																																																																							
Rated current short-circuit		480 A / 1 s.																																																																																																																																																																																																																																																							
Rated wire size nominal / gauge		4 mm ²																																																																																																																																																																																																																																																							
Other characteristics		Wire strip. length	Recomm. screwdriver	Recomm. torque	Protection	Wire strip. length	Recomm. screwdriver																																																																																																																																																																																																																																																		
		9,5 mm	4 mm	0,5-0,8 Nm	IP 20	9,5 mm	4 mm																																																																																																																																																																																																																																																		
		.374"	.157"	4,4-7,1 lb.in	NEMA 1	.374"	.157"																																																																																																																																																																																																																																																		
		IEC		UL		CSA																																																																																																																																																																																																																																																			
		NFC	DIN																																																																																																																																																																																																																																																						
Wire size	Screw	0,2 - 4 mm ²																																																																																																																																																																																																																																																							
	ADO	0,22 - 4 mm ²																																																																																																																																																																																																																																																							
	Rigid	4 mm ²																																																																																																																																																																																																																																																							
	Flexible	4 mm ²																																																																																																																																																																																																																																																							
Rated current short-circuit		480 A / 1 s.																																																																																																																																																																																																																																																							
Rated wire size nominal / gauge		4 mm ²																																																																																																																																																																																																																																																							
Other characteristics		Wire strip. length	Recomm. screwdriver	Recomm. torque	Protection	Wire strip. length	Recomm. screwdriver																																																																																																																																																																																																																																																		
		9,5 mm	4 mm	0,5-0,8 Nm	IP 20	9,5 mm	4 mm																																																																																																																																																																																																																																																		
		.374"	.157"	4,4-7,1 lb.in	NEMA 1	.374"	.157"																																																																																																																																																																																																																																																		
Approvals																																																																																																																																																																																																																																																									
Accessories		Type				Type				Type																																																																																																																																																																																																																																															
1 End section		grey orange FEAD1 V0 th. 2,5 mm 1SNA 199 421 R1600 FEAD1 V0 th. 2,5 mm 1SNA 199 422 R1700																																																																																																																																																																																																																																																							
R See section on markers		mode On top RCAL85																																																																																																																																																																																																																																																							

Notes



Terminal blocks Insulation displacement



ADO - ADO

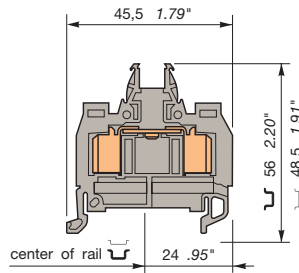
DIN 3

ADO wire size
0.22 - 1 mm²
24 - 18 AWG



D 1/5.ADO

Spacing 5 mm +0.05 .198"

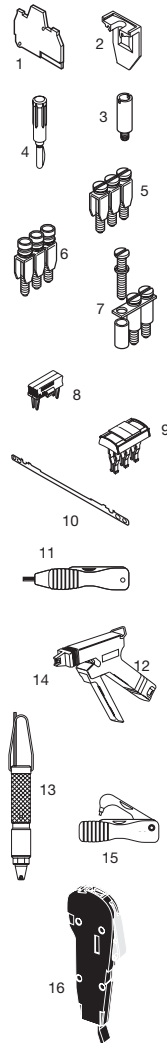


Standard 5 mm block



Colour	Type	Part number
<i>Standard blocks</i>		
Grey	<input type="checkbox"/> D 1/5.ADO	1SNA 199 563 R2400
Orange	<input type="checkbox"/> D 1/5.ADO	1SNA 199 564 R2500
Blue	<input type="checkbox"/> D 1/5.N.ADO	1SNA 199 565 R2600
Black	<input type="checkbox"/> D 1/5.ADO	1SNA 199 566 R2700
Red	<input type="checkbox"/> D 1/5.ADO	1SNA 199 567 R2000
Ivory	<input type="checkbox"/> D 1/5.ADO	1SNA 199 568 R0100
Yellow	<input type="checkbox"/> D 1/5.ADO	1SNA 199 569 R0200
Green	<input type="checkbox"/> D 1/5.ADO	1SNA 199 570 R0700

Accessories



	Type	Part number
1 End section	grey yellow	FEMAD3 th. 3 mm 1SNA 199 341 R0500 FEMAD3 th. 3 mm 1SNA 199 343 R0700
2 Circuit separator	grey	SCAD5 1SNA 199 551 R2000
3 Test socket		AL2 (1) DIA. 2 mm 1SNA 163 046 R2400
4 Test plug		FC2 DIA. 2 mm 1SNA 007 865 R2600
5 Assembled jumper bar (without IP20 protection)		BJM5 (1) 24 A 2 poles 1SNA 176 273 R0100 BJM5 (1) 24 A 3 poles 1SNA 176 274 R0200 BJM5 (1) 24 A 4 poles 1SNA 176 275 R0300 BJM5 (1) 24 A 5 poles 1SNA 176 276 R0400 BJM5 (1) 24 A 10 poles 1SNA 176 277 R0500
6 Assembled jumper bar (with IP20 protection)		BJMI5 (1) 24 A 2 poles 1SNA 176 278 R1600 BJMI5 (1) 24 A 3 poles 1SNA 176 279 R1700 BJMI5 (1) 24 A 4 poles 1SNA 176 280 R0500 BJMI5 (1) 24 A 5 poles 1SNA 176 281 R2200 BJMI5 (1) 24 A 10 poles 1SNA 176 282 R2300
7 Jumper bar not assembled Post + screw + washer		BJS5 (1) 24 A 20 poles 1SNA 177 652 R0600 EV5 1SNA 168 629 R1600
8 Jumper bar		BJB 1SNA 199 466 R2300
9 Screwless jumper bar to be inserted into ADO jaw orange IP20		BJADO5.2 13,5 A 2 poles 1SNA 205 955 R0300 BJADO5.3 13,5 A 3 poles 1SNA 205 956 R0400 BJADO5.4 13,5 A 4 poles 1SNA 205 957 R0500 BJADO5.5 13,5 A 5 poles 1SNA 205 958 R1600 BJADO5.10 13,5 A 10 poles 1SNA 205 963 R0300 BJADO5.20 13,5 A 20 poles 1SNA 205 973 R0500
10 Shield connector		CBM5 th. 0.5 mm 1SNA 178 745 R1400 CBM8 th. 0.8 mm 1SNA 178 746 R1500
11 Hand tool kit		OUMAD 1SNA 179 466 R0600
12 Semi-automatic tool		OUPAD 1SNA 178 944 R0400
13 Pneumatic tool kit		OUTAD 1SNA 205 710 R1100
14 Replacement head kit		OUTA 1SNA 205 284 R0300
15 Extraction tool kit		EXAD2 1SNA 205 721 R0000
16 Test connector		CEADO.5 1SNA 399 345 R1100 CEADOE 1SNA 399 341 R1500

refer to the section "Special Applications" for part numbers and characteristics.

End stop	th. 9 mm	BADL	V0	1SNA 399 903 R0200
End stop	th. 10 mm	BAM2	V2	1SNA 206 351 R1600
End stop	th. 10 mm	BAM2 V0	V0	1SNA 399 967 R0100
Rail	35 x 7,5 x 1	PR3.Z2		1SNA 174 300 R1700
Rail	35 x 15 x 2,3	PR4		1SNA 168 500 R1200
Rail	35 x 15 x 1,5	PR5		1SNA 168 700 R2200

Other end stops, rails and accessories : see section on accessories.

Characteristics

Wire size	IEC		UL/CSA
	NFC	DIN	
Screw	Rigid		
	Flexible		
ADO	Rigid	0,2-1 mm ²	24-18 AWG
	Flexible	0,22-1 mm ²	24-18 AWG
Voltage			
Rated	1000 V		600 V
Impulse withstand	8 kV		
Pollution degree	3		
Current			
Rated	13,5 A		7 A
Wire size			
Rated	1 mm ²		18 AWG
Wire stripping length (screw)	Recommended (screw)	Weight	Protection
		5 g	IP 20
		.18 oz	NEMA 1

Notes

Standard block 5 mm spacing. For multiple wires connections, the 2 wires need to be of the same gage and nature (rigid or flexible). Terminal block body material is UL 94 V0.

R See section on markers marking method RC55 RC510 RTM7
(1) SC and 500 V (IEC) rated voltage required with these accessories.

Terminal blocks Insulation displacement



ADO - ADO

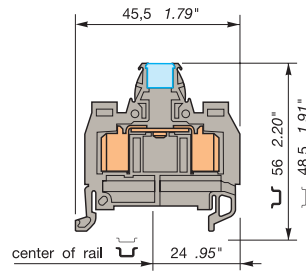
↳ DIN 3

ADO wire size
0,22 - 1 mm²
24 - 18 AWG



D 1/5.ADO.1

Spacing 5 mm +0,05 .198"



D 1/5.ADO with partition

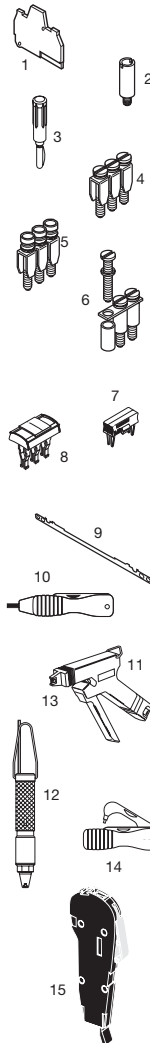
Colour Type Part number

Standard blocks

Grey D 1/5.ADO.1 1SNA 199 571 R2400



Accessories



Type	Part number
1 End section grey yellow	FEMAD3 th. 3 mm 1SNA 199 341 R0500 FEMAD3 th. 3 mm 1SNA 199 343 R0700
2 Test socket	AL2 DIA. 2 mm 1SNA 163 046 R2400
3 Test plug	FC2 DIA. 2 mm 1SNA 007 865 R2600
4 Assembled jumper bar (without IP20 protection)	BJM5 (2) 24 A 2 poles 1SNA 176 273 R0100 BJM5 (2) 24 A 3 poles 1SNA 176 274 R0200 BJM5 (2) 24 A 4 poles 1SNA 176 275 R0300 BJM5 (2) 24 A 5 poles 1SNA 176 276 R0400 BJM5 (2) 24 A 10 poles 1SNA 176 277 R0500
5 Assembled jumper bar (with IP20 protection)	BJMI5 (2) 24 A 2 poles 1SNA 176 278 R1600 BJMI5 (2) 24 A 3 poles 1SNA 176 279 R1700 BJMI5 (2) 24 A 4 poles 1SNA 176 280 R0500 BJMI5 (2) 24 A 5 poles 1SNA 176 281 R2200 BJMI5 (2) 24 A 10 poles 1SNA 176 282 R2300
6 Jumper bar not assembled Post + screw + washer	BJS5 (2) 24 A 20 poles 1SNA 177 652 R0600 EV5 (2) 1SNA 168 629 R1600
7 Jumper bar	BJB 1SNA 199 466 R2300
8 Screwless jumper bar to be inserted into ADO jaw orange IP20	BJADO5.2 13,5 A 2 poles 1SNA 205 955 R0300 BJADO5.3 13,5 A 3 poles 1SNA 205 956 R0400 BJADO5.4 13,5 A 4 poles 1SNA 205 957 R0500 BJADO5.5 13,5 A 5 poles 1SNA 205 958 R1600 BJADO5.10 13,5 A 10 poles 1SNA 205 963 R0300 BJADO5.20 13,5 A 20 poles 1SNA 205 973 R0500
9 Shield connector	CBM5 th. 0,5 mm 1SNA 178 745 R1400 CBM8 th. 0,8 mm 1SNA 178 746 R1500
10 Hand tool kit	OUMAD 1SNA 179 466 R0600
11 Semi-automatic tool	OUPAD 1SNA 178 944 R0400
12 Pneumatic tool kit	OUTAD 1SNA 205 710 R1100
13 Replacement head lit	OUTA 1SNA 205 284 R0300
14 Extraction tool kit	EXAD2 1SNA 205 721 R0000
15 Test connector	CEADO.5 1SNA 399 345 R1100 CEADOE 1SNA 399 341 R1500

End stop	th. 9 mm	BADL	V0	1SNA 399 903 R0200
End stop	th. 10 mm	BAM2	V2	1SNA 206 351 R1600
End stop	th. 10 mm	BAM2 V0	V0	1SNA 399 967 R0100
Rail	35 x 7,5 x 1	PR3.Z2		1SNA 174 300 R1700
Rail	35 x 15 x 2,3	PR4		1SNA 168 500 R1200
Rail	35 x 15 x 1,5	PR5		1SNA 168 700 R2200

Other end stops, rails and accessories : see section on accessories.

Characteristics

Wire size	IEC		UL/CSA
	NFC	DIN	
Screw	Rigid		
	Flexible		
ADO	Rigid	0,2-1 mm ²	24-18 AWG
	Flexible	0,22-1 mm ²	24-18 AWG

Voltage		
Rated	1000 V	600 V
Impulse withstand	8 kV	
Pollution degrees	3	

Current		
Rated	13,5 A	7 A

Wire size			
Rated	1 mm ²		18 AWG
Wire stripping length (screw)	Recommended (screw)	Weight	Protection
		5 g	IP 20
		.18 oz	NEMA 1

Notes

Standard block 5 mm spacing. For multiple wires connections, the 2 wires need to be of the same gage and nature (rigid or flexible). Terminal block body material is UL 94 V0.

R See section on markers marking method RC55 RC510 RTM7
(2) Use of these accessories requires the user to cut out the partition.

Terminal blocks Insulation displacement



ADO - ADO

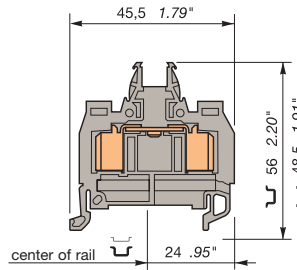
DIN 3

ADO wire size
0,34 - 1,5 mm²
22 - 16 AWG



D 1,5/6... .ADO

Spacing 5 mm +0,05 .200"

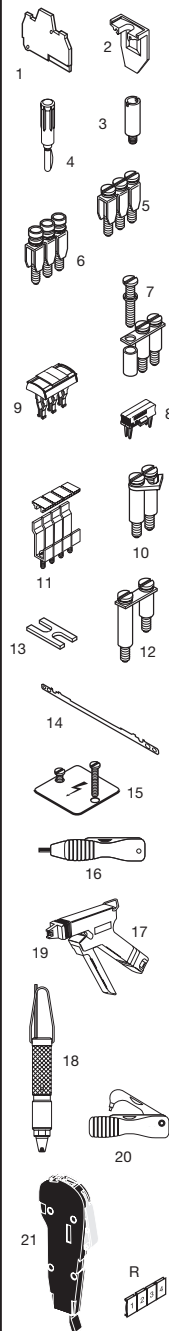


Standard 6 mm block



Colour	Type	Part number
Standard blocks		
Grey	D 1,5/6.ADO	1SNA 199 051 R2600
Orange	D 1,5/6.ADO	1SNA 199 052 R2700
Blue	D 1,5/6.N.ADO	1SNA 199 053 R2000
Black	D 1,5/6.ADO	1SNA 199 083 R1700
Red	D 1,5/6.ADO	1SNA 199 081 R1500
Beige	D 1,5/6.ADO	1SNA 199 082 R1600
Yellow	D 1,5/6.ADO	1SNA 199 080 R2000
Green	D 1,5/6.ADO	1SNA 199 056 R2300

Accessories



- 1 End section grey yellow
- 2 Circuit separator
- 3 Test socket
- 4 Test plug
- 5 Assembled jumper bar (without IP20 protection)
- 6 Assembled jumper bar (with IP20 protection)
- 7 Jumper bar not assembled Post + screw + washer
- 8 Jumper bar
- 9 Screwless jumper bar to be inserted into ADO jaw orange IP20
- 10 Pivoting jumper bar
- 11 Jumper bar for alternated jumping
- 12 Universal jumper bar
- 13 Connector plate
- 14 Shield connector
- 15 Protection label Screw for protection label
- 16 Hand tool kit
- 17 Semi-automatic tool
- 18 Pneumatic tool kit
- 19 Replacement head kit
- 20 Extraction tool kit
- 21 Test connector

Type	Part number
FEMAD3 th. 3 mm	1SNA 199 341 R0500
FEMAD3 th. 3 mm	1SNA 199 343 R0700
SCAD	1SNA 196 896 R0000
AL2 (1) DIA. 2 mm	1SNA 163 043 R2100
AL3 (1) DIA. 3 mm	1SNA 163 261 R0000
FC2 DIA. 2 mm	1SNA 007 865 R2600
FC4 DIA. 4 mm	1SNA 167 860 R0100
BJM6 (1) 32 A 2 poles	1SNA 168 516 R2500
BJM6 (1) 32 A 3 poles	1SNA 168 517 R2600
BJM6 (1) 32 A 4 poles	1SNA 168 518 R0700
BJM6 (1) 32 A 5 poles	1SNA 168 519 R0000
BJM6 (1) 32 A 10 poles	1SNA 168 973 R0700
BJM6 (1) 32 A 2 poles	1SNA 176 663 R0000
BJM6 (1) 32 A 3 poles	1SNA 176 664 R0100
BJM6 (1) 32 A 4 poles	1SNA 176 665 R0200
BJM6 (1) 32 A 5 poles	1SNA 176 666 R0300
BJM6 (1) 32 A 10 poles	1SNA 176 667 R0400
BJS6 (1) 32 A 20 poles	1SNA 174 784 R2000
EV6	1SNA 168 604 R1600
BJB	1SNA 199 466 R2300
BJADO6.2 17,5 A 2 poles	1SNA 205 974 R0600
BJADO6.3 17,5 A 3 poles	1SNA 205 975 R0700
BJADO6.4 17,5 A 4 poles	1SNA 205 976 R0000
BJADO6.5 17,5 A 5 poles	1SNA 205 977 R0100
BJADO6.10 17,5 A 10 poles	1SNA 205 982 R2700
BJADO6.20 17,5 A 20 poles	1SNA 205 992 R2100
BJP6 (1) 35 A	1SNA 174 413 R1400
BJA6 (1)V2 32 A 10 poles	1SNA 116 541 R1200
BJDP1 (1) (2) 50 A spac. 6 <-> spac.16	1SNA 179 623 R0300
BJDP3 (1) (2) 70 A spac. 6 <-> spac.12	1SNA 179 625 R0500
BJDP4 (1) (2) 50 A sp. 6 <-> sp. 8 or 10	1SNA 174 781 R2500
EL6 35 A	1SNA 173 627 R2100
CBM5 th. 0,5 mm	1SNA 178 745 R1400
CBM8 th. 0,8 mm	1SNA 178 746 R1500
EP6 V2 4 blocks	1SNA 163 427 R1700
VSP6 V2	1SNA 163 433 R1500
OUMAD	1SNA 179 466 R0600
OUPAD	1SNA 178 944 R0400
OUTAD	1SNA 205 710 R1100
OUTA	1SNA 205 284 R0300
EXAD2	1SNA 205 721 R0000
CEADO.6	1SNA 399 346 R1200
CEADOE	1SNA 399 341 R1500

refer to the section "Special Applications" for part numbers and characteristics.

End stop	th. 9 mm	BADL	V0	1SNA 399 903 R0200
End stop	th. 10 mm	BAM2	V2	1SNA 206 351 R1600
End stop	th. 10 mm	BAM2 V0	V0	1SNA 399 967 R0100
Rail	35 x 7,5 x 1	PR3.Z2		1SNA 174 300 R1700
Rail	35 x 15 x 2,3	PR4		1SNA 168 500 R1200
Rail	35 x 15 x 1,5	PR5		1SNA 168 700 R2200

Other end stops, rails and accessories : see section on accessories.

Characteristics

Wire size

		IEC		UL	CSA
		NFC	DIN		
Screw	Rigid				
	Flexible				
ADO	Rigid	0,34-1,5 mm ²		22-16 AWG	22-16 AWG
	Flexible	0,34-1,5 mm ²		22-16 AWG	22-16 AWG

Voltage

Rated	1000 V	600 V	600 V
Impulse withstand	8 kV		
Pollution degree	3		

Current

Rated	17,5 A	18 A	18 A
-------	--------	------	------

Wire size

Rated	1,5 mm ²	16 AWG	16 AWG
Wire stripping length (screw)	Recommended (screw)	Weight	Protection
		6 g	IP 20
		.21 oz	NEMA 1

Notes

Standard block 5 mm spacing. For multiple wires connections, the 2 wires need to be of the same gage and nature (rigid or flexible). Terminal block body material is UL 94 V0.

R See section on markers marking method

RC65 RC610 RTM7

- (1) SC and 500 V (IEC) rated voltage are required with the use of these accessories.
- (2) Use of these accessories requires the user to cut out the partition.

Terminal blocks Insulation displacement



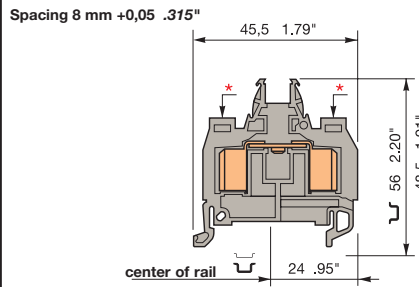
ADO - ADO

↳ DIN 3

ADO wire size
1 - 2,5 mm²
16 - 14 AWG



D 2,5/8... .ADO

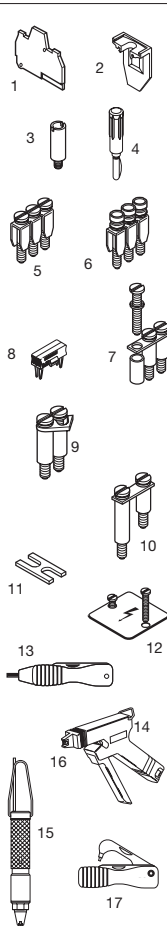


Standard 8 mm block



Colour	Type	Part Number
<i>Standard blocks</i>		
Grey	<input type="checkbox"/> D 2,5/8.ADO	1SNA 199 059 R0600
Orange	<input type="checkbox"/> D 2,5/8.ADO	1SNA 199 060 R0300
Blue	<input type="checkbox"/> D 2,5/8.N.ADO	1SNA 199 061 R2000
Black	<input type="checkbox"/> D 2,5/8.ADO	1SNA 199 089 R2500
Red	<input type="checkbox"/> D 2,5/8.ADO	1SNA 199 087 R1300
Ivory	<input type="checkbox"/> D 2,5/8.ADO	1SNA 199 088 R2400
Yellow	<input type="checkbox"/> D 2,5/8.ADO	1SNA 199 092 R1000
Green	<input type="checkbox"/> D 2,5/8.ADO	1SNA 199 148 R0400

Accessories



- 1 End section grey
- 2 Circuit separator grey
- 3 Test socket
- 4 Test plug
- 5 Assembled jumper bar (without IP20 protection)
- 6 Assembled jumper bar (with IP20 protection)
- 7 Jumper bar not assembled Post + screw + washer
- 8 Jumper bar
- 9 Pivoting jumper bar
- 10 Universal jumper bar
- 11 Connector plate
- 12 Protecting label
- 13 Hand tool kit
- 14 Semi automatic tool
- 15 Pneumatic tool kit
- 16 Replacement head kit
- 17 Extraction head kit

Type	Part Number
FEMAD3 th. 3 mm	1SNA 199 341 R0500
SCAD	1SNA 196 896 R0000
AL2 (1) DIA. 2 mm	1SNA 163 043 R2100
AL3 (1) DIA. 3 mm	1SNA 163 262 R0100
AL4 (1) DIA. 4 mm	1SNA 163 240 R1700
FC2 DIA. 2 mm	1SNA 007 865 R2600
FC4 DIA. 4 mm	1SNA 167 860 R0100
BJM8 (1) 41 A 2 poles	1SNA 168 520 R0500
BJM8 (1) 41 A 3 poles	1SNA 168 521 R2200
BJM8 (1) 41 A 4 poles	1SNA 168 522 R2300
BJM8 (1) 41 A 5 poles	1SNA 168 523 R2400
BJM8 (1) 41 A 10 poles	1SNA 168 974 R0000
BJMI8 (1) 41 A 2 poles	1SNA 176 669 R1600
BJMI8 (1) 41 A 3 poles	1SNA 176 670 R1300
BJMI8 (1) 41 A 4 poles	1SNA 176 671 R0000
BJMI8 (1) 41 A 5 poles	1SNA 176 672 R0100
BJMI8 (1) 41 A 10 poles	1SNA 176 673 R0200
BJS8 (1) 41 A 20 poles	1SNA 174 789 R0500
EV6	1SNA 168 604 R1600
BJB	1SNA 199 466 R2300
BJP8 (1) 50 A	1SNA 174 448 R0700
BJDP1 (1) (2) 50 A spacing 8->spacing 16	1SNA 179 623 R0300
BJDP3 (1) (2) 70 A spacing 8->spacing 12	1SNA 179 625 R0500
BJDP5 (1) (2) 50 A spacing 8->spacing 10	1SNA 174 782 R2600
EL6 35 A	1SNA 173 627 R2100
EP6 V2 3 blocks	1SNA 163 427 R1700
EP8 V2 4 blocks	1SNA 163 428 R2000
VSP6 V2	1SNA 163 433 R1500
OUMAD	1SNA 179 466 R0600
OUPAD	1SNA 178 944 R0400
OUTAD	1SNA 205 710 R1100
OUTA	1SNA 205 284 R0300
EXAD2	1SNA 205 721 R0000

refer to the section "Special Applications" for part numbers and characteristics.

End stop	th. 9 mm	BADL	V0	1SNA 399 903 R0200
End stop	th. 10 mm	BAM2	V2	1SNA 206 351 R1600
End stop	th. 10 mm	BAM2 V0	V0	1SNA 399 967 R0100
Rail	35 x 7,5 x 1	PR3.Z2		1SNA 174 300 R1700
Rail	35 x 15 x 2,3	PR4		1SNA 168 500 R1200
Rail	35 x 15 x 1,5	PR5		1SNA 168 700 R2200

Other end stops, rails and accessories : see section on accessories.

Characteristics

Wire size		IEC	UL	CSA
		NFC	DIN	
Screw	Rigid			
	Flexible			
ADO	Rigid	1-2,5 mm ²	16-14 AWG	16-14 AWG
	Flexible	1-2,5 mm ²	16-14 AWG	16-14 AWG
Voltage				
Rated		1000 V	600 V	600 V
Impulse withstand		8 kV		
Pollution degree		3		
Current				
Rated		24 A	25 A	25 A
Wire size				
Rated		2,5 mm ²	16 AWG	16 AWG
Wire stripping length (screw)	Recommended (screw)		Weight	Protection
			9 g	IP 20
			.32 oz	NEMA 1

Notes

Standard block 8 mm spacing. For multiple wires connections, the 2 wires need to be of the same gage and nature (rigid or flexible). Terminal block body material is UL 94 V0.

* Black marking for wire size 1 - 2,5 mm² (16 - 14 AWG)



R See section on markers marking method RTM7 RC81025 RCAL85
(1) SC and 500 V (IEC) rated voltage required with these accessories.
(2) See column : "Various applications".

Terminal blocks Insulation displacement



ADO - ADO

↳ DIN 3

ADO wire size

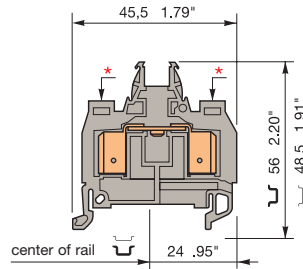
4 mm²

12 AWG



D 4/8.ADO

Spacing 8 mm +0,05 .315"

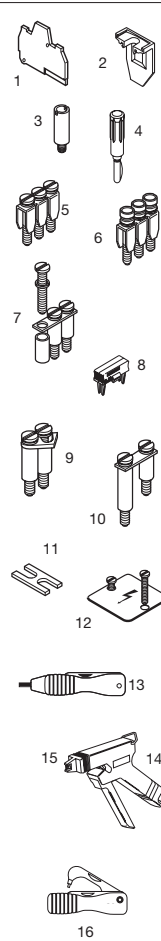


Standard 8 mm block



Colour	Type	Part number
Standard blocks		
Grey	<input type="checkbox"/> D 4/8.ADO	1SNA 399 244 R1400
Blue	<input type="checkbox"/> D 4/8.N.ADO	1SNA 399 318 R1600
Orange	<input type="checkbox"/> D 4/8.ADO	1SNA 399 801 R0400

Accessories



	Type	Part numbers
1 End section	grey	FEMAD3 th. 3 mm 1SNA 199 341 R0500
2 Circuit separator	grey	SCAD 1SNA 196 896 R0000
3 Test socket		AL2 (1) DIA. 2 mm 1SNA 163 043 R2100
		AL3 (1) DIA. 3 mm 1SNA 163 262 R0100
		AL4 (1) DIA. 4 mm 1SNA 163 240 R1700
4 Test plug		FC2 (3) DIA. 2 mm 1SNA 007 865 R2600
		FC4 (3) DIA. 4 mm 1SNA 167 860 R0100
5 Assembled jumper bar (without IP20 protection)		BJM8 (1) 41 A 2 poles 1SNA 168 520 R0500
		BJM8 (1) 41 A 3 poles 1SNA 168 521 R2200
		BJM8 (1) 41 A 4 poles 1SNA 168 522 R2300
		BJM8 (1) 41 A 5 poles 1SNA 168 523 R2400
		BJM8 (1) 41 A 10 poles 1SNA 168 974 R0000
6 Assembled jumper bar (with IP20 protection)		BJMI8 (1) 41 A 2 poles 1SNA 176 669 R1600
		BJMI8 (1) 41 A 3 poles 1SNA 176 670 R1300
		BJMI8 (1) 41 A 4 poles 1SNA 176 671 R0000
		BJMI8 (1) 41 A 5 poles 1SNA 176 672 R0100
		BJMI8 (1) 41 A 10 poles 1SNA 176 673 R0200
7 Jumper bar not assembled		BJS8 41 A 20 poles 1SNA 174 789 R0500
Post + screw + washer	grey	EV6 1SNA 168 604 R1600
8 Jumper bar		BJB 1SNA 199 466 R2300
9 Pivoting jumper bar		BJP8 (1)(4) 50 A 1SNA 174 448 R0700
10 Universal jumper bar		BJDP1 (1)(2) 50 A spacing 8->spacing 16 1SNA 179 623 R0300
		BJDP3 (1)(2) 70 A spacing 8->spacing 12 1SNA 179 625 R0500
		BJDP5 (1)(2) 50 A spacing 8->spacing 10 1SNA 174 782 R2600
11 Connector plate	grey	EL6 (4) 35 A 1SNA 173 627 R2100
12 Protection label		EP6 3 blocks 1SNA 163 427 R1700
		EP8 4 blocks 1SNA 163 428 R2000
Screw for protection label		VSP6 1SNA 163 433 R1500
13 Hand tool kit		OUMAD 1SNA 179 466 R0600
14 Semi-automatic tool		OUPAD 1SNA 178 944 R0400
15 Replacement head kit		OUTA 1SNA 205 284 R0300
16 Extraction tool kit		EXAD2 1SNA 205 721 R0000

refer to the section "Special Applications" for part numbers and characteristics.

End stop	th. 9 mm	BADL	V0	1SNA 399 903 R0200
End stop	th. 10 mm	BAM2	V2	1SNA 206 351 R1600
End stop	th. 10 mm	BAM2 V0	V0	1SNA 399 967 R0100
Rail	35 x 7,5 x 1	PR3.Z2		1SNA 174 300 R1700
Rail	35 x 15 x 2,3	PR4		1SNA 168 500 R1200
Rail	35 x 15 x 1,5	PR5		1SNA 168 700 R2200

Other end stops, rails and accessories : see section on accessories.

Characteristics

Wire size

		IEC		UL/CSA
		NFC	DIN	
Screw	Rigid			
	Flexible			
ADO	Rigid	4 mm ²		12 AWG
	Flexible	4 mm ²		12 AWG

Voltage

Rated	1000 V	600 V
Impulse withstand	8 kV	
Pollution degree	3	

Current

Rated	32 A	25 A
-------	------	------

Wire size

Rated	4 mm ²		12 AWG
Wire stripping length (screw)	Recommended (screw)	Weight	Protection
		9 g	IP 20
		.32 oz	NEMA 1

Notes

Standard 8 mm block for connection of only one rigid or flexible 4 mm² wire.

* White marking for wire size 4 mm² (12 AWG)



R See section on markers

marking method

RTM7

RC 810

RCAL85

(1) A circuit separator SC and 500 V (IEC) rated voltage are required with these accessories. (3) Forbidden under explosive atmosphere EEX usage. (4) Only certified for "I" security.

(2) BJDP1 is used for the interconnection with terminal block series "M" : spacing 16 mm. BJDP3 is used for the interconnection with terminal block series "M" : spacing 12 mm. BJDP5 is used for the interconnection with terminal block series "M" : spacing 10 mm.

Terminal blocks Insulation displacement



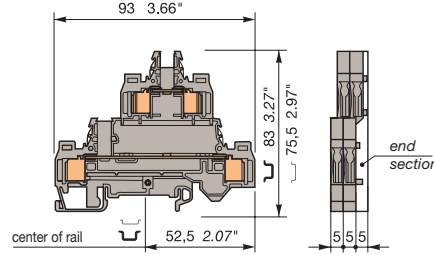
Double deck
ADO - ADO

↳ DIN 3
ADO wire size
0,22 - 1 mm²
24 - 18 AWG



D 1/5.D2.ADO

Spacing 5 mm + 0,05 (.200")



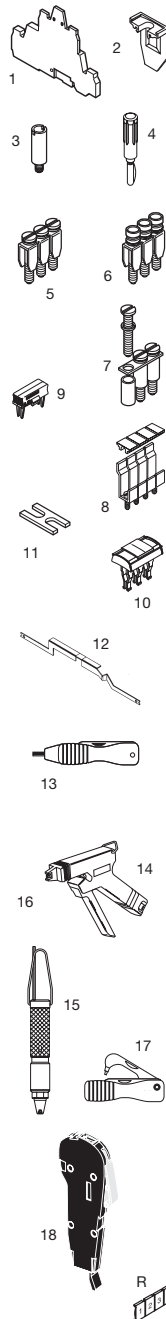
Standard 5 mm block

Color	Type	Part numbers
Grey	□ D 1/5.D2.ADO	1SNA 399 896 R2300
Blue	■ D 1/5.D2.N.ADO	1SNA 399 897 R2400

Standard blocks



Accessories



Accessories		Type	Part numbers
1	End section grey	FED2AD2 V0	1SNA 199 476 R2500
2	Circuit separator	SCAD5 V0	1SNA 199 551 R2000
3	Test socket	AL2 DIA. 2 mm	1SNA 163 046 R2400
4	Test plug	FC2 DIA. 2 mm	1SNA 007 865 R2600
5	Assembled jumper bar (without IP20 protection)	BJM5 (1) 24 A 2 poles	1SNA 176 273 R0100
		BJM5 (1) 24 A 3 poles	1SNA 176 274 R0200
		BJM5 (1) 24 A 4 poles	1SNA 176 275 R0300
		BJM5 (1) 24 A 5 poles	1SNA 176 276 R0400
		BJM5 (1) 24 A 10 poles	1SNA 176 277 R0500
6	Assembled jumper bar (with IP20 protection)	BJMI5 (1) 24 A 2 poles	1SNA 176 278 R1600
		BJMI5 (1) 24 A 3 poles	1SNA 176 279 R1700
		BJMI5 (1) 24 A 4 poles	1SNA 176 280 R0500
		BJMI5 (1) 24 A 5 poles	1SNA 176 281 R2200
		BJMI5 (1) 24 A 10 poles	1SNA 176 282 R2300
7	Jumper bar not assembled Post + screw + washer	BJS5 (1) 24 A 20 poles	1SNA 177 652 R0600
8	Jumper bar for alternated jumping	EV5	1SNA 168 629 R1600
9	Jumper bar	BJA5 24 A 10 poles	1SNA 205 021 R2600
10	Screwless jumper bar to be inserted into ADO jaw orange IP20	BJB	1SNA 199 466 R2300
		BJADO5.2 13,5 A 2 poles	1SNA 205 955 R0300
		BJADO5.3 13,5 A 3 poles	1SNA 205 956 R0400
		BJADO5.4 13,5 A 4 poles	1SNA 205 957 R0500
		BJADO5.5 13,5 A 5 poles	1SNA 205 958 R1600
		BJADO5.10 13,5 A 10 poles	1SNA 205 963 R0300
		BJADO5.20 13,5 A 20 poles	1SNA 205 973 R0500
11	Connector plate	EL6	1SNA 173 627 R2100
12	Shield connector	CBD2S	1SNA 178 408 R1400
13	Hand tool kit	OUMAD	1SNA 179 466 R0600
14	Semi-automatic tool	OUPAD	1SNA 178 944 R0400
15	Pneumatic tool kit	OUTAD	1SNA 205 710 R1100
16	Replacement head kit	OUTA	1SNA 205 284 R0300
17	Extraction head kit	EXAD2	1SNA 205 721 R0000
18	Test connector	CEADO.5	1SNA 399 345 R1100
		CEADOE	1SNA 399 341 R1500

End stop	th. 12 mm	BADH	V2	1SNA 116 900 R2700
End stop	th. 9,1 mm	BAMH	V2	1SNA 114 836 R0000
End stop	th. 9,1 mm	BAMH V0	V0	1SNA 194 836 R0100
Rail	35 x 7,5 x 1	PR3.Z2		1SNA 174 300 R1700
Rail	35 x 15 x 2,3	PR4		1SNA 168 500 R1200
Rail	35 x 15 x 1,5	PR5		1SNA 168 700 R2200

Other end stops, rails and accessories : see section on accessories.

Characteristics

Wire size

		IEC		UL	CSA
		NFC	DIN	pending	pending
Screw	Rigid				
	Flexible				
ADO	Rigid	0,2-1 mm ²		24-18 AWG	24-18 AWG
	Flexible	0,22-1 mm ²		24-18 AWG	24-18 AWG

Voltage

Rated	630 V		
Impulse withstand	8 kV		
Pollution degree	3		

Current

Rated	13,5 A		
-------	--------	--	--

Wire size

Rated	1 mm ²	18 AWG	18 AWG
Wire stripping length (screw)	Recommended (screw)	Weight	Protection
		15 g	IP 20
		.53 oz	NEMA 1

Notes

For multiple wires connections the wires need to be of the same gage and nature (rigid or flexible). Terminal block body material UL 94 V0.

Some accessories can decrease the block's voltage rating. Consult us for more information.

R See section on markers marking method RC55 RC510 RTM7
(1) SCAD5 is required with these accessories

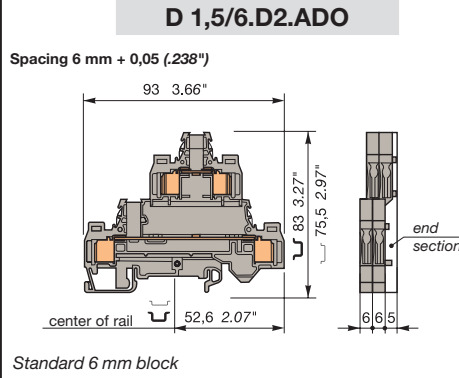
C
2

Terminal blocks Insulation displacement



Double deck
ADO - ADO

↳ DIN 3
ADO wire size
0,34 - 1,5 mm²
22 - 16 AWG



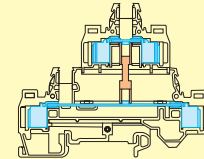
Standard 6 mm block



Color **Type** **Part numbers**

Standard blocks

Grey	□	D 1,5/6.D2.ADO	1SNA 199 480 R2600
Blue	■	D 1,5/6.D2.N.ADO	1SNA 199 482 R1400
Orange	■	D 1,5/6.D2.ADO	1SNA 199 481 R1300



Vertical jumper bar assembly
(ITVE marker 14)

C
2

⊗ refer to the section "Special Applications" for part numbers and characteristics.

End stop	↳	th. 12 mm	BADH	V2	1SNA 116 900 R2700
End stop	↳	th. 9,1 mm	BAMH	V2	1SNA 114 836 R0000
End stop	↳	th. 9,1 mm	BAMH V0	V0	1SNA 194 836 R0100
Rail	↳	35 x 7,5 x 1	PR3.Z2		1SNA 174 300 R1700
Rail	↳	35 x 15 x 2,3	PR4		1SNA 168 500 R1200
Rail	↳	35 x 15 x 1,5	PR5		1SNA 168 700 R2200

Other end stops, rails and accessories : see section on accessories.

Characteristics

Wire size

		IEC		UL	CSA
		NFC	DIN	pending	pending
Screw	Rigid				
	Flexible				
ADO	Rigid	0,28-1,5 mm ²		22-16 AWG	22-16 AWG
	Flexible	0,34-1,5 mm ²		22-16 AWG	22-16 AWG

Voltage

Rated	800 V	300 V	300 V
Impulse withstand	6 kV		
Pollution degree	3		

Current

Rated	17,5 A	18 A	18 A
-------	--------	------	------

Wire size

Rated	1,5 mm ²	16 AWG	16 AWG
Wire stripping length (screw)	Recommended	Weight	Protection
	(screw)		
		.63 oz	NEMA 1

Notes

For multiple wires connections the wires need to be of the same gage and nature (rigid or flexible).
Terminal block body material UL 94 V0.

Some accessories can decrease the block's voltage rating. Consult us for more information.

Accessories

		Type	Part numbers
1	End section	grey	FED2AD2 V0 th. 5,0 mm 1SNA 199 476 R2500
2	Circuit separator		SCAD V0 1SNA 196 896 R0000
3	Test socket		AL2 (1) DIA. 2,0 mm 1SNA 163 043 R2100
			AL3 (1) DIA. 3,0 mm 1SNA 163 261 R0000
4	Test plug		FC2 DIA. 2,0 mm 1SNA 007 865 R2600
5	Assembled jumper bar (without IP20 protection)		BJM6 32 A 2 poles 1SNA 168 516 R2500
			BJM6 32 A 3 poles 1SNA 168 517 R2600
			BJM6 32 A 4 poles 1SNA 168 518 R0700
			BJM6 32 A 5 poles 1SNA 168 519 R0000
			BJM6 32 A 10 poles 1SNA 168 973 R0700
6	Assembled jumper bar (with IP20 protection)		BJMI6 32 A 2 poles 1SNA 176 663 R0000
			BJMI6 32 A 3 poles 1SNA 176 664 R0100
			BJMI6 32 A 4 poles 1SNA 176 665 R0200
			BJMI6 32 A 5 poles 1SNA 176 666 R0300
			BJMI6 32 A 10 poles 1SNA 176 667 R0400
7	Jumper bar not assembled		BJS6 32 A 20 poles 1SNA 174 784 R2000
	Post + screw + washer		EV6 1SNA 168 604 R1600
8	Jumper bar		BJB 1SNA 199 466 R2300
9	Screwless jumper bar to be inserted into ADO jaw orange IP20		BJADO6.2 17,5 A 2 poles 1SNA 205 974 R0600
			BJADO6.3 17,5 A 3 poles 1SNA 205 975 R0700
			BJADO6.4 17,5 A 4 poles 1SNA 205 976 R0000
			BJADO6.5 17,5 A 5 poles 1SNA 205 977 R0100
			BJADO6.10 17,5 A 10 poles 1SNA 205 982 R2700
			BJADO6.20 17,5 A 20 poles 1SNA 205 992 R2100
10	Pivoting jumper bar		BJP6 35 A 1SNA 174 413 R1400
11	Jumper bar for alterned jumping		BJA6 32 A 10 poles 1SNA 116 541 R1200
12	Connector plate		EL6 35 A 1SNA 173 627 R2100
13	Vertical jumper bar		ITVE 1SNA 179 694 R0300
14	Shield connector		CBD2S 1SNA 178 408 R1400
15	Protection label		EP6 4 blocks 1SNA 163 427 R1700
	Screw for protection label		VSP6 1SNA 163 433 R1500
16	Hand tool kit		OUMAD 1SNA 179 466 R0600
17	Semi-automatic tool		OUPAD 1SNA 178 944 R0400
18	Pneumatic tool kit		OUTAD 1SNA 205 710 R1100
19	Replacement head kit		OUTA 1SNA 205 284 R0300
20	Extraction head kit		EXAD2 1SNA 205 721 R0000
21	Test connector		CEADO.6 1SNA 399 346 R1200
			CEADOE 1SNA 399 341 R1500

R See section on markers

marking method

RC65 RC610 RTM7

Notes : (1) A circuit separator SC and 500V (IEC) rated voltage are required with these accessories.

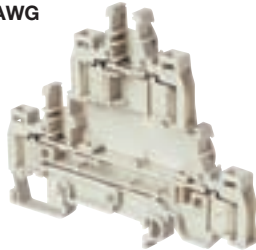
Terminal blocks Insulation displacement



Double deck
ADO - ADO

DIN 3

ADO wire size
0,34 - 1,5 mm²
22 - 16 AWG



End stop	th. 12 mm	BADH	V2	1SNA 116 900 R2700
End stop	th. 9,1 mm	BAMH	V2	1SNA 114 836 R0000
End stop	th. 9,1 mm	BAMH V0	V0	1SNA 194 836 R0100
Rail	35 x 7,5 x 1	PR3.Z2		1SNA 174 300 R1700
Rail	35 x 15 x 2,3	PR4		1SNA 168 500 R1200
Rail	35 x 15 x 1,5	PR5		1SNA 168 700 R2200

Other end stops, rails and accessories : see section on accessories.

Characteristics

Wire size

		IEC		UL	CSA
		NFC	DIN	pending	pending
Screw	Rigid				
	Flexible				
ADO	Rigid	0,28-1,5 mm ²		22-16 AWG	22-16 AWG
	Flexible	0,34-1,5 mm ²		22-16 AWG	22-16 AWG

Voltage

Rated	800 V	300 V	300 V
Impulse withstand	6 kV		
Pollution degree	3		

Current

Rated	17,5 A	18 A	18 A
-------	--------	------	------

Wire size

Rated	1,5 mm ²	16 AWG	16 AWG
Wire stripping length (screw)	Recommended (screw)	Weight	Protection
		18 g	IP 20
		.63 oz	NEMA 1

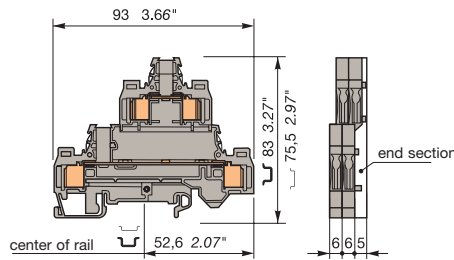
Notes

For multiple wires connections the wires need to be of the same gage and nature (rigid or flexible).
Terminal block body material UL 94 V0.

Some accessories can decrease the block's voltage rating.
Consult us for more information.

D 1,5/6.D2.ADO.1

Spacing 6 mm + 0,05 (.238")

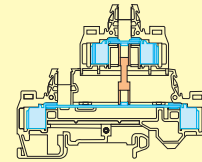


D 1,5/6.D2.ADO with partition

Color **Type** **Part numbers**

Standard blocks

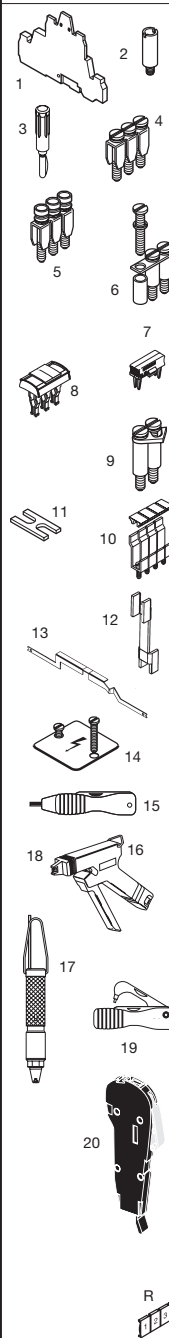
Grey **D 1,5/6.D2.ADO.1** 1SNA 199 494 R1000



Vertical jumper bar assembly (ITVE marker 14)



Accessories



		Type	Part numbers
1	End section	grey	FED2AD2 V0 th. 5,0 mm 1SNA 199 476 R2500
2	Test socket		AL2 DIA. 2,0 mm 1SNA 163 043 R2100
			AL3 DIA. 3,0 mm 1SNA 163 261 R0000
3	Test plug		FC2 DIA. 2,0 mm 1SNA 007 865 R2600
4	Assembled jumper bar (without IP20 protection)		BJM6 32 A 2 poles 1SNA 168 516 R2500
			BJM6 32 A 3 poles 1SNA 168 517 R2600
			BJM6 32 A 4 poles 1SNA 168 518 R0700
			BJM6 32 A 5 poles 1SNA 168 519 R0000
			BJM6 32 A 10 poles 1SNA 168 973 R0700
5	Assembled jumper bar (with IP20 protection)		BJMI6 32 A 2 poles 1SNA 176 663 R0000
			BJMI6 32 A 3 poles 1SNA 176 664 R0100
			BJMI6 32 A 4 poles 1SNA 176 665 R0200
			BJMI6 32 A 5 poles 1SNA 176 666 R0300
			BJMI6 32 A 10 poles 1SNA 176 667 R0400
6	Jumper bar not assembled Post + screw + washer		BJS6 32 A 20 poles 1SNA 174 784 R2000
			EV6 1SNA 168 604 R1600
7	Jumper bar		BJB 1SNA 199 466 R2300
8	Screwless jumper bar to be inserted into ADO jaw orange IP20		BJADO6.2 17,5 A 2 poles 1SNA 205 974 R0600
			BJADO6.3 17,5 A 3 poles 1SNA 205 975 R0700
			BJADO6.4 17,5 A 4 poles 1SNA 205 976 R0000
			BJADO6.5 17,5 A 5 poles 1SNA 205 977 R0100
			BJADO6.10 17,5 A 10 poles 1SNA 205 982 R2700
			BJADO6.20 17,5 A 20 poles 1SNA 205 992 R2100
9	Pivoting jumper bar		BJP6 35 A 1SNA 174 413 R1400
10	Jumper bar for alterned jumping		BJA6 32 A 10 poles 1SNA 116 541 R1200
11	Connector plate		EL6 35 A 1SNA 173 627 R2100
12	Vertical jumper bar		ITVE 1SNA 179 694 R0300
13	Shield connector		CBD2S 1SNA 178 408 R1400
14	Protection label	4 blocks	EP6 1SNA 163 427 R1700
	Screw for protection label		VSP6 1SNA 163 433 R1500
15	Hand tool kit		OUMAD 1SNA 179 466 R0600
16	Semi-automatic tool		OUPAD 1SNA 178 944 R0400
17	Pneumatic tool kit		OUTAD 1SNA 205 710 R1100
18	Replacement head kit		OUTA 1SNA 205 284 R0300
19	Extraction tool kit		EXAD2 1SNA 205 721 R0000
20	Test connector		CEADO.6 1SNA 399 346 R1200
			CEADOE 1SNA 399 341 R1500

R See section on markers

marking method

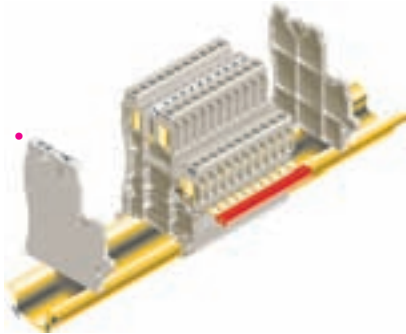
RC65 RC610 RTM7

(1) Use of this accessories requires the user to cut out the partition.

Terminal blocks Insulation displacement

for sensors/actuators

DIN 3



To obtain finger safety (IP20) of a terminal block assembly with comb type jumper bar, it is necessary to put one end section on each side of the terminal block assembly.

End stop	th. 9 mm	BADL	V0	1SNA 399 903 R0200
End stop	th. 10 mm	BAM2	V2	1SNA 206 351 R1600
End stop	th. 10 mm	BAM2 V0	V0	1SNA 399 967 R0100
Rail	35 x 7,5 x 1	PR3.Z2		1SNA 174 300 R1700
Rail	35 x 15 x 2,3	PR4		1SNA 168 500 R1200
Rail	35 x 15 x 1,5	PR5		1SNA 168 700 R2200

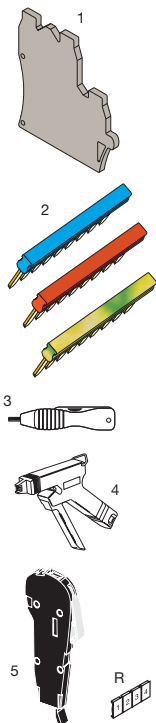
Other end stops, rails and accessories : see section on accessories.

Notes

For multiple wires connections, on the upper deck only, the wires need to be of the same gage and nature (rigid or flexible). Terminal block body material UL 94 V0.

- * End section kit includes :
- 1 right end section
 - 1 left end section
 - 1 marker-holder

Accessories

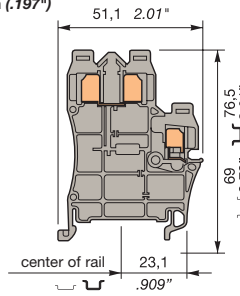


1	End section	grey
2	Comb type jumper bar	
3	Hand tool kit	
4	Semi-automatic tool	
5	Test connector	

R See section on markers marking method

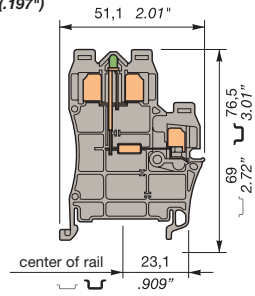
D 1/5.C2.ADO

Spacing 5 mm (.197")



D 1/5.C2.ADO.L

Spacing 5 mm (.197")



Block for sensor/actuators with bidirectional LED 24V=

Color	Type	Part numbers	Color	Type	Part numbers
Grey	<input type="checkbox"/> D1/5.C2.ADO	1SNA 399 686 R0000	Grey - Green Led	<input type="checkbox"/> D1/5.C2.ADO.L	1SNA 399 687 R0100
			Grey - Red Led	<input type="checkbox"/> D1/5.C2.ADO.L	1SNA 399 688 R1200

Characteristics

Wire size	Wire size		
	IEC	UL	CSA
Rigid	NFC DIN	pending	pending
	0,2-1 mm ²		
Flexible	0,22-1 mm ²		

Voltage	
Rated	250 V
Impulse withstand	8 KV
Pollution degree	3

Current	
Rated	13,5 A

Wire size			
Rated / Gauge	1 mm ²		
Wire strip. length	Recomm. Screwdriver	Recomm. torque	Protection
			IP20 • NEMA 1

Characteristics

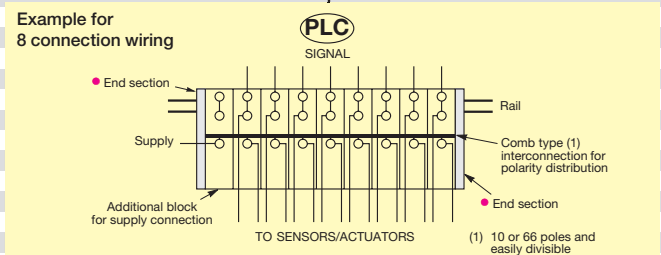
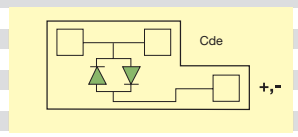
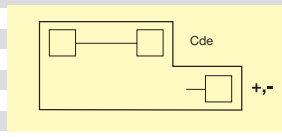
Wire size	Wire size		
	IEC	UL	CSA
Rigid	NFC DIN	pending	pending
	0,2-1 mm ²		
Flexible	0,22-1 mm ²		

Voltage	
Rated	250 V
Impulse withstand	8 KV
Pollution degree	3

Current	
Rated	13,5 A

Wire size			
Rated / Gauge	1 mm ²		
Wire strip. length	Recomm. Screwdriver	Recomm. torque	Protection
			IP20 • NEMA 1

Type	Part numbers	Type	Part numbers
FED5.C2.ADO end section kit *	1SNA 399 677 R1600	FED5.C2.ADO end section kit *	1SNA 399 677 R1600
PC52.10 Blue 10 poles	1SNA 399 684 R0600	PC52.10 Blue 10 poles	1SNA 399 684 R0600
PC52.10 Red 10 poles	1SNA 399 683 R0500	PC52.10 Red 10 poles	1SNA 399 683 R0500
PC52.10 Green/Yellow 10 poles	1SNA 399 685 R0700	PC52.10 Green/Yellow 10 poles	1SNA 399 685 R0700
PC52.66 Red 66 poles	1SNA 399 707 R1500	PC52.66 Red 66 poles	1SNA 399 707 R1500
PC52.66 Blue 66 poles	1SNA 399 708 R2600	PC52.66 Blue 66 poles	1SNA 399 708 R2600
PC52.66 Green/Yellow 66 poles	1SNA 399 709 R2700	PC52.66 Green/Yellow 66 poles	1SNA 399 709 R2700
OUMAD	1SNA 179 466 R0600	OUMAD	1SNA 179 466 R0600
OUPAD	1SNA 178 944 R0400	OUPAD	1SNA 178 944 R0400
CEADO.5	1SNA 399 345 R1100	CEADO.5	1SNA 399 345 R1100
CEADOE	1SNA 399 341 R1500	CEADOE	1SNA 399 341 R1500

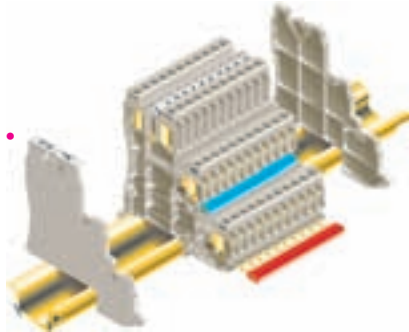


RC55	RC510 (for marker-holder)
------	---------------------------

Terminal blocks Insulation displacement for sensors/actuators



DIN 3



To obtain finger safety (IP20) of a terminal block assembly with comb type jumper bar, it is necessary to put one end section on each side of the terminal block assembly.

End stop	th. 9 mm	BADL	V0	1SNA 399 903 R0200
End stop	th. 10 mm	BAM2	V2	1SNA 206 351 R1600
End stop	th. 10 mm	BAM2 V0	V0	1SNA 399 967 R0100
Rail	35 x 7,5 x 1	PR3.Z2		1SNA 174 300 R1700
Rail	35 x 15 x 2,3	PR4		1SNA 168 500 R1200
Rail	35 x 15 x 1,5	PR5		1SNA 168 700 R2200

Other end stops, rails and accessories : see section on accessories.

Notes

For multiple wires connections, on the upper deck only, the wires need to be of the same gage and nature (rigid or flexible). Terminal block body material UL 94 V0.

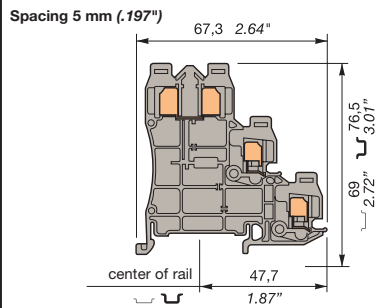
- * End section kit includes :
- 1 right end section
 - 1 left end section
 - 1 marker-holder

Accessories

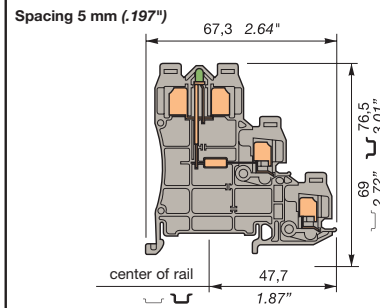
	1 End section grey	FED5.C3.ADO end section kit *	1SNA 399 678 R2700
	2 Comb type jumper bar	PC52.10 Blue 10 poles	1SNA 399 684 R0600
		PC52.10 Red 10 poles	1SNA 399 683 R0500
		PC52.10 Green/Yellow 10 poles	1SNA 399 685 R0700
		PC52.66 Red 66 poles	1SNA 399 707 R1500
		PC52.66 Blue 66 poles	1SNA 399 708 R2600
		PC52.66 Green/Yellow 66 poles	1SNA 399 709 R2700
	3 Hand tool kit	OUMAD	1SNA 179 466 R0600
	4 Semi-automatic tool	OUPAD	1SNA 178 944 R0400
	5 Test connector	CEADO.5	1SNA 399 345 R1100
		CEADOE	1SNA 399 341 R1500

R See section on markers marking method

D 1/5.C3.ADO



D 1/5.C3.ADO.L



Block for sensors/actuators with bidirectional LED 24V=

Color	Type	Part numbers	Color	Type	Part numbers
Grey	<input type="checkbox"/> D1/5.C3.ADO	1SNA 399 689 R1300	Grey - Green Led	<input type="checkbox"/> D1/5.C3.ADO.L	1SNA 399 690 R1000
			Grey - Red Led	<input type="checkbox"/> D1/5.C3.ADO.L	1SNA 399 691 R0500

Characteristics

Wire size	IEC			UL	CSA
	NFC	DIN			
Rigid	0,2-1 mm ²			pending	pending
Flexible	0,22-1 mm ²				

Voltage	
Rated	250 V
Impulse withstand	8 KV
Pollution degree	3

Current	
Rated	13,5 A

Wire size			
Rated / Gauge	1 mm ²		
Wire strip. length	Recomm. Screwdriver	Recomm. torque	Protection
			IP20 • NEMA 1

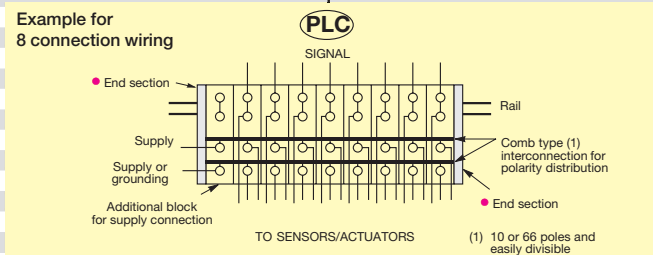
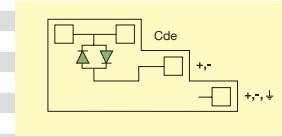
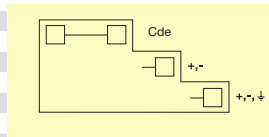
Characteristics

Wire size	IEC			UL	CSA
	NFC	DIN			
Rigid	0,2-1 mm ²			pending	pending
Flexible	0,22-1 mm ²				

Voltage	
Rated	250 V
Impulse withstand	8 KV
Pollution degree	3

Current	
Rated	13,5 A

Wire size			
Rated / Gauge	1 mm ²		
Wire strip. length	Recomm. Screwdriver	Recomm. torque	Protection
			IP20 • NEMA 1



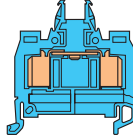
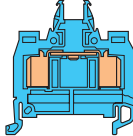
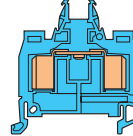
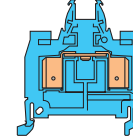
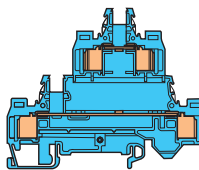
RC55	RC510 (for marker-holder)
------	---------------------------

C
2

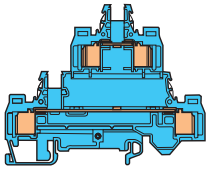
ADO/ADO terminal blocks for neutral circuits

ADO/ADO terminal blocks with blue body can be used for neutral connection.

Blue colour permits a good identification.

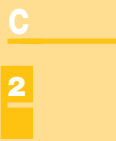
<p>D 1/5.N.ADO Spacing 5 mm + 0,05 (.198")</p>  <p>Rated wire size 1 mm² D 1/5.N.ADO 1SNA 199 565 R2600 Weight 5 g .18 oz</p>	<p>D 1,5/6.N.ADO Spacing 6 mm + 0,05 (.238")</p>  <p>Rated wire size 1,5 mm² D 1,5/6.N.ADO 1SNA 199 053 R2000 Weight 6 g .21 oz</p>	<p>D 2,5/8.N.ADO Spacing 8 mm + 0,05 (.315")</p>  <p>Rated wire size 2,5 mm² D 2,5/8.N.ADO 1SNA 199 061 R2000 Weight 9 g .32 oz</p>	<p>D 4/8.N.ADO Spacing 8 mm + 0,05 (.315")</p>  <p>Rated wire size 4 mm² D 4/8.N.ADO 1SNA 399 318 R1600 Weight 9 g .32 oz</p>	<p>D 1/5.D2.N.ADO Spacing 5 mm + 0,05 (.200")</p>  <p>Rated wire size 1 mm² D 1/5.D2.N.ADO 1SNA 399 897 R2400 Weight 15 g .53 oz</p>
---	---	---	---	--

D 1,5/6.D2.N.ADO
Spacing 6 mm + 0,05 (.238")



Rated wire size 1,5 mm²
D 1,5/6.D2.N.ADO 1SNA 199 482 R1400
 Weight 18 g .64 oz

Characteristics and accessories of these blocks are described in standard ADO/ADO block pages.



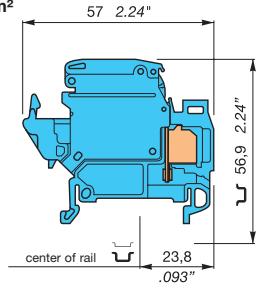
Terminal blocks Insulation displacement

For neutral conductor
DIN 3



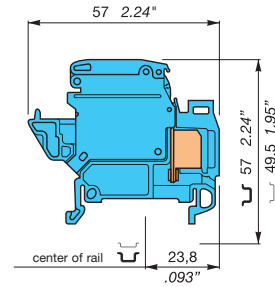
D 1,5/6 NT.ADO

Spacing 6 mm +0,05 .2038"
ADO wire size
0,34 - 1,5 mm²
22 - 16 AWG



D 2,5/8 NT.ADO

Spacing 8 mm +0,05 .315"
ADO wire size
1 - 2,5 mm²
16 - 14 AWG



Colour	Type	Part numbers
Blue	D 1,5/6 NT.ADO	1SNA 399 792 R0200

Colour	Type	Part numbers
Blue	D 2,5/8 NT.ADO	1SNA 399 793 R0300

Characteristics			
Wire size	IEC		UL/CSA
	NFC	DIN	
Screw	Rigid		
	Flexible		
ADO	Rigid	0,34-1,5 mm ²	22-16 AWG
	Flexible	0,34-1,5 mm ²	22-16 AWG

Characteristics			
Wire size	IEC		UL/CSA
	NFC	DIN	pending
Screw	Rigid		
	Flexible		
ADO	Rigid	1-2,5 mm ²	16-14 AWG
	Flexible	1-2,5 mm ²	16-14 AWG

End stop th. 9,0 mm **BADL V0** 1SNA 199 408 R0200
Other end stop: See section on accessories
Rail 35 x 7,5 x 1 **PR3Z2** 1SNA 174 300 R1700
Rail 35 x 15 x 2,3 **PR4** 1SNA 168 500 R1200
Rail 35 x 15 x 1,5 **PR5** 1SNA 168 700 R2200
Other rails: See section on accessories
Other accessories: See section on accessories

Notes

For two wire connection max., the wires need to be of the same gage and nature (rigid or flexible). Terminal block body material is UL 94 V0.

* Black marking for wire size 1 - 2,5 mm² (16 - 14 AWG) + 2 notches to identify 8 mm spacing.

Voltage			
Rated		400 V	
Impulse withstand		6 kV	
Pollution degree		3	
Current			
Rated		17,5 A	
Wire size			
Rated		1,5 mm ²	16 AWG
Wire stripping length (screw)	Recommended screwdriver	Recommended torque	protection
			IP 20 NEMA 1

Voltage			
Rated		400 V	
Impulse withstand		6 kV	
Pollution degree		3	
Current			
Rated		24 A	
Wire size			
Rated		2,5 mm ²	14 AWG
Wire stripping length (screw)	Recommended screwdriver	Recommended torque	protection
			IP 20 NEMA 1

Accessories

- End section blue
- Cursor lock
- Busbar
- Screw clamp for busbar
- Screwless jumper bar to be inserted into ADO jaw orange IP20
- Hand tool kit
- Semi-automatic tool
- Pneumatic tool kit
- Replacement head kit
- Extraction tool kit
- Test connector

R See section on markers marking method

Type	Part numbers		
FEDADNT V0 th. 2,0 mm	1SNA 399 795	R0500	
VRPA1	1SNA 399 587	R2500	
BO3 10 x 3 mm	1SNA 164 406	R2400	
SFB1 0,5 to 35 mm ² H=7	1SNA 163 860	R0500	
SFB2 16 to 35 mm ² H=3	1SNA 168 956	R0600	
BJADO 6.2 17,5 A 2 poles	1SNA 205 974	R0600	
BJADO 6.3 17,5 A 3 poles	1SNA 205 975	R0700	
BJADO 6.4 17,5 A 4 poles	1SNA 205 976	R0000	
BJADO 6.5 17,5 A 5 poles	1SNA 205 977	R0100	
BJADO 6.10 17,5 A 10 poles	1SNA 205 982	R2700	
BJADO 6.20 17,5 A 20 poles	1SNA 205 992	R2100	
OUMAD	1SNA 179 466	R0600	
OUPAD	1SNA 178 944	R0400	
OUTAD	1SNA 205 710	R1100	
OUTA	1SNA 205 284	R0300	
EXAD2	1SNA 205 721	R0000	
CEADO.6	1SNA 399 346	R1200	
CEADOE	1SNA 399 341	R1500	
RC 65 RC 610			

Type	Part numbers		
FEDADNT V0 th. 2,0 mm	1SNA 399 795	R0500	
VRPA1	1SNA 399 587	R2500	
BO3 10 x 3 mm	1SNA 164 406	R2400	
SFB1 0,5 to 35 mm ² H=7	1SNA 163 860	R0500	
SFB2 16 to 35 mm ² H=3	1SNA 168 956	R0600	
OUMAD	1SNA 179 466	R0600	
OUPAD	1SNA 178 944	R0400	
OUTAD	1SNA 205 710	R1100	
OUTA	1SNA 205 284	R0300	
EXAD2	1SNA 205 721	R0000	
RCAL 85 RC 810			

**Terminal blocks
Insulation displacement**

Ground terminal blocks not electrically connected to the mounting rail

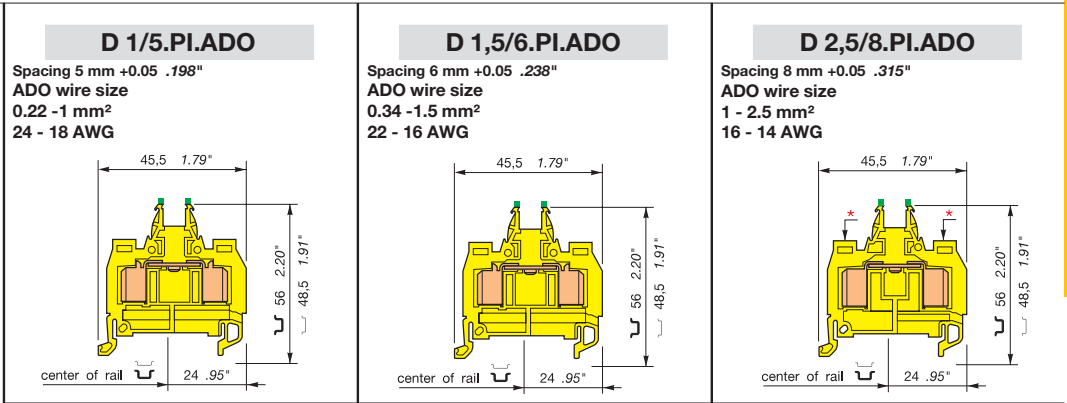
ADO - ADO

DIN 3



Characteristics and accessories, see Screw clamp terminal blocks.

* Black marking for wire size 1 - 2.5 mm² (16-14 AWG)



Type	P/N	Type	P/N	Type	P/N
Yellow body / Green marking		Yellow body / Green marking		Yellow body / Green marking	
D 1/5.PI.ADO	1SNA 399 184 R2100	D 1,5/6.PI.ADO	1SNA 199 054 R2100	D 2,5/8.PI.ADO	1SNA 199 062 R2100

Characteristics	IEC		UL/CSA		IEC		UL		CSA		IEC		UL		CSA	
	NFC	DIN			NFC	DIN					NFC	DIN				
Wire size	Rigid 0,2-1 mm ²		24-18 AWG		0,34-1,5 mm ²		22-16 AWG		22-16 AWG		1-2,5 mm ²		16-14 AWG		16-14 AWG	
	Flexible 0,22-1 mm ²		24-18 AWG		0,34-1,5 mm ²		22-16 AWG		22-16 AWG		1-2,5 mm ²		16-14 AWG		16-14 AWG	
Rated current	120 A / 1 s.				180 A / 1 s.						300 A / 1 s.					
Rated wire size	1 mm ²		18 AWG		1,5 mm ²		16 AWG		16 AWG		2,5 mm ²		14 AWG		14 AWG	
Other characteristics	Wire strip. length	Recomm. screwdriver	Weight	Protection	Wire strip. length	Recomm. screwdriver	Weight	Protection	Wire strip. length	Recomm. screwdriver	Weight	Protection	Wire strip. length	Recomm. screwdriver	Weight	Protection
			5 g .18 oz	IP 20 NEMA 1			6 g .21 oz	IP 20 NEMA 1					9 g .32 oz	IP 20 NEMA 1		

Approvals									
Accessories	Type	P/N	Type	P/N	Type	P/N			
1 End section yellow	FEMAD3 V0 th. 3 mm	1SNA 199 343 R0700	FEMAD3 V0 th. 3 mm	1SNA 199 343 R0700	FEMAD3 V0 th. 3 mm	1SNA 199 343 R0700			
R See section on marking Marking method	RC55	RC510	RTM7	RC65	RC610	RTM7			

**Terminal blocks
Insulation displacement**

Ground terminal blocks not electrically connected to the mounting rail

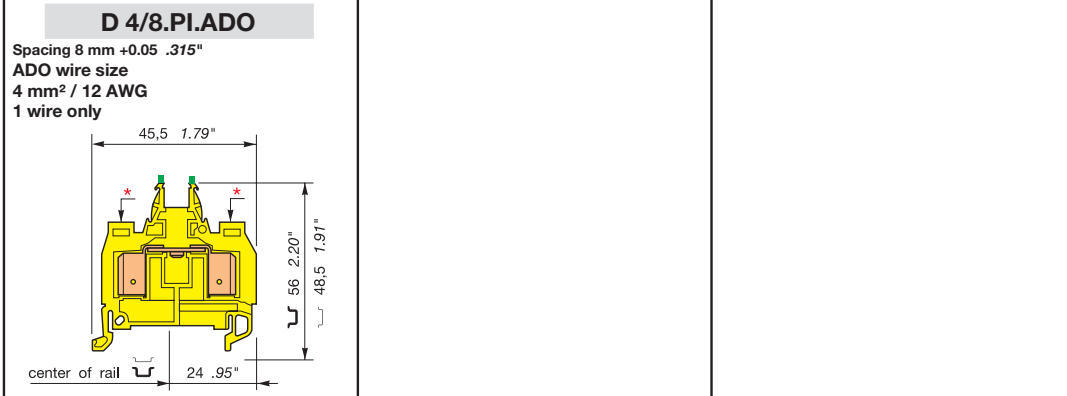
ADO - ADO

DIN 3



Characteristics and accessories, see Screw clamp terminal blocks.

* White marking for wire size 4 mm² (12 AWG)



Type	P/N	Type	P/N	Type	P/N
Yellow body / Green marking					
D 4/8.PI.ADO	1SNA 399 272 R1000				

Characteristics	IEC		UL/CSA		IEC		UL		CSA		IEC		UL		CSA	
	NFC	DIN			NFC	DIN					NFC	DIN				
Wire size	Rigid 4 mm ²		12 AWG													
	Flexible 4 mm ²		12 AWG													
Rated current	480 A / 1 s.															
Rated wire size	4 mm ²		12 AWG													
Other characteristics	Wire strip. length	Recomm. screwdriver	Weight	Protection	Wire strip. length	Recomm. screwdriver	Weight	Protection	Wire strip. length	Recomm. screwdriver	Weight	Protection	Wire strip. length	Recomm. screwdriver	Weight	Protection
			9 g .32 oz	IP 20 NEMA 1												

Approvals									
Accessories	Type	P/N	Type	P/N	Type	P/N			
1 End section yellow	FEMAD3 V0 th. 3 mm	1SNA 199 343 R0700							
R See section on marking Marking mode	RTM7	RC810	RCAL85						

Terminal blocks Insulation displacement

Ground terminal blocks electrically connected to the mounting rail

ADO - ADO

DIN 3



refer to the section "Special Applications" for part numbers and characteristics.

Characteristics and accessories, see Screw clamp terminal blocks.

* Black marking for wire size 1 - 2.5 mm² (16-14 AWG)

Characteristics

Wire size	Rigid Flexible	IEC		UL/CSA		IEC		UL		CSA		IEC		UL		CSA	
		NFC	DIN			NFC	DIN					NFC	DIN				
		0.2-1 mm ²		24-18 AWG		0.34-1.5 mm ²		22-16 AWG		22-16 AWG		1-2.5 mm ²		16-14 AWG		16-14 AWG	
		0.22-1 mm ²		24-18 AWG		0.34-1.5 mm ²		22-16 AWG		22-16 AWG		1-2.5 mm ²		16-14 AWG		16-14 AWG	
Rated current		120 A / 1 s.				180 A / 1 s.				16 AWG		300 A / 1 s.					
Rated wire size		1 mm ²		18 AWG		1.5 mm ²		16 AWG		16 AWG		2.5 mm ²		14 AWG		14 AWG	
Other characteristics	Wire strip length	Recomm. screwdriver	Weight	Protection	Wire strip length	Recomm. screwdriver	Weight	Protection	Wire strip length	Recomm. screwdriver	Weight	Protection	Wire strip length	Recomm. screwdriver	Weight	Protection	
			7 g	IP 20			8 g	IP 20							11 g	IP 20	
			.25 oz	NEMA 1			.28 oz	NEMA 1							.39 oz	NEMA 1	

Approvals



Accessories

Type	P/N	Type	P/N	Type	P/N
1 End section yellow grey	FEMAD3 V0 th. 3 mm 1SNA 199 343 R0700 FEMAD3 V0 th. 3 mm 1SNA 199 341 R0500	FEMAD3 V0 th. 3 mm 1SNA 199 343 R0700 FEMAD3 V0 th. 3 mm 1SNA 199 341 R0500	FEMAD3 V0 th. 3 mm 1SNA 199 343 R0700 FEMAD3 V0 th. 3 mm 1SNA 199 341 R0500	FEMAD3 V0 th. 3 mm 1SNA 199 343 R0700 FEMAD3 V0 th. 3 mm 1SNA 199 341 R0500	FEMAD3 V0 th. 3 mm 1SNA 199 343 R0700 FEMAD3 V0 th. 3 mm 1SNA 199 341 R0500
R See section on marking Marking method	RC55 RC510 RTM7	RC65 RC610 RTM7	RC65 RC610 RTM7	RC65 RC610 RTM7	RTM7 RC810 RCAL85

Terminal blocks Insulation displacement

Ground terminal blocks electrically connected to the mounting rail

ADO - ADO

DIN 3



refer to the section "Special Applications" for part numbers and characteristics.

Characteristics and accessories, see Screw clamp terminal blocks.

* White marking for wire size 4 mm² (12 AWG)

Characteristics

Wire size	Rigid Flexible	IEC		UL/CSA		IEC		UL		CSA		IEC		UL		CSA	
		NFC	DIN			NFC	DIN					NFC	DIN				
		4 mm ²		12 AWG													
		4 mm ²		12 AWG													
Rated current		480 A / 1 s.															
Rated wire size		4 mm ²		12 AWG													
Others characteristics	Wire strip length	Recomm. screwdriver	Weight	Protection	Wire strip length	Recomm. screwdriver	Weight	Protection	Wire strip length	Recomm. screwdriver	Weight	Protection	Wire strip length	Recomm. screwdriver	Weight	Protection	
			11g	IP 20													
			.39 oz	NEMA 1													

Approvals

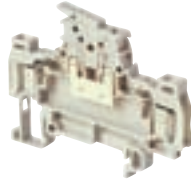


Accessories

Type	P/N	Type	P/N	Type	P/N
1 End section yellow grey	FEMAD3 V0 th. 3 mm 1SNA 199 343 R0700 FEMAD3 V0 th. 3 mm 1SNA 199 341 R0500				
R See section on marking Marking mode	RTM7 RC810 RCAL85				

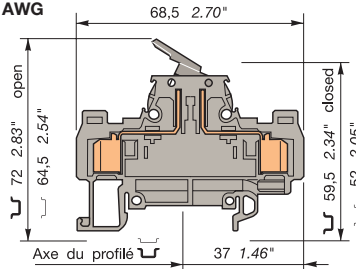
Heavy duty switch terminal blocks with blade insulation displacement ADO - ADO

DIN 3



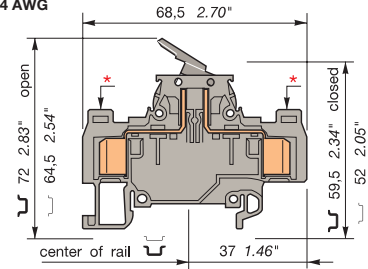
D 1,5/6.SNT2...ADO

Spacing 6 mm +0,05 .238"
ADO wire size
0,34 - 1,5 mm²
22 - 16 AWG



D 2,5/8.SNT2...ADO

Spacing 8 mm +0,05 .315"
ADO wire size
1 - 2,5 mm²
16 - 14 AWG



Colour	Type	Part numbers	Colour	Type	Part numbers
With DIA. 2 mm test on two sides.					
Grey	D 1,5/6.SNT2.ADO	1SNA 199 144 R2000	Grey	D 2,5/8.SNT2.ADO	1SNA 199 231 R2700
Bleu	D 1,5/6.SNT2.ADO	1SNA 199 591 R1100	Orange	D 2,5/8.SNT2.ADO	1SNA 199 232 R2000
Orange	D 1,5/6.SNT2.ADO	1SNA 199 145 R2100	With DIA. 2.3 mm test on two sides.		
With DIA. 2.3 mm test on two sides.					
Grey	D 1,5/6.SNT23.ADO	1SNA 199 146 R2200	Grey	D 2,5/8.SNT23.ADO	1SNA 199 233 R2100

Characteristics					Characteristics				
Wire size					Wire size				
		IEC	UL	CSA			IEC	UL	CSA
		NFC	DIN				NFC	DIN	
Screw	Rigid				Screw	Rigid			
	Flexible					Flexible			
ADO	Rigid	0,34-1,5 mm ²	22-16 AWG	22-16 AWG	ADO	Rigid	1-2,5 mm ²	16-14 AWG	16-14 AWG
	Flexible	0,34-1,5 mm ²	22-16 AWG	22-16 AWG		Flexible	1-2,5 mm ²	16-14 AWG	16-14 AWG

End stop	th. 9 mm	BADL	V0	1SNA 399 903 R0200
End stop	th. 10 mm	BAM2	V2	1SNA 206 351 R1600
End stop	th. 10 mm	BAM2 V0	V0	1SNA 399 967 R0100
Rail	35 x 7,5 x 1	PR3.Z2		1SNA 174 300 R1700
Rail	35 x 15 x 2,3	PR4		1SNA 168 500 R1200
Rail	35 x 15 x 1,5	PR5		1SNA 168 700 R2200

Other end stops, rails and accessories : see section on accessories.

Notes

Standard blocks 6 or 8 mm spacing. For two wires connections, the wires need to be of the same gage and nature (solid or stranded). Terminal block body material is UL 94 V0.

* Black marking for wire size 1 - 2,5 mm² (16 - 14 AWG)

Voltage					Voltage				
Rated		500 V	600 V	600 V	Rated		500 V	600 V	600 V
Impulse withstand		6 kV			Impulse withstand		6 kV		
Pollution degree		3			Pollution degree		3		
Current					Current				
Rated		10 A	8 A	10 A	Rated		15 A	15 A	15 A
Wire size					Section				
Rated		1,5 mm ²	16 AWG	16 AWG	Rated		2,5 mm ²	16 AWG	16 AWG
Wire stripping length (screw)	Recommended screwdriver	Recommended torque (screw)	Protection		Wire stripping length (screw)	Recommended screwdriver	Recommended torque (screw)	Protection	
			IP 20					IP 20	
			NEMA 1					NEMA 1	

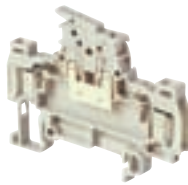
Accessories

1	End section	grey orange blue
2	Test plug	
3	Shielding connector	
4	Hand tool kit	
5	Semi automatique tool	
6	Pneumatic tool kit	
7	Replacement head kit	
8	Extraction head kit	
9	Screwless jumper bar to be inserted into ADO jaw orange IP20	
10	Test connector	
R	See section on markers	
	Marking method	

Type	Part numbers	Type	Part numbers
FEDAD5 th. 2 mm	1SNA 199 354 R0200	FEDAD5 th. 2 mm	1SNA 199 354 R0200
FEDAD5 th. 2 mm	1SNA 199 355 R0300	FEDAD5 th. 2 mm	1SNA 199 355 R0300
FEDAD5 th. 2 mm	1SNA 199 590 R2400	FEDAD5 th. 2 mm	1SNA 199 590 R2400
FC2 (1) DIA. 2 mm	1SNA 007 865 R2600	FC2 (1) DIA. 2 mm	1SNA 007 865 R2600
CDB2 th. 0,8 mm	1SNA 179 635 R0700		
OUMAD	1SNA 179 466 R0600	OUMAD	1SNA 179 466 R0600
OUPAD	1SNA 178 944 R0400	OUPAD	1SNA 178 944 R0400
OUTAD	1SNA 205 710 R1100	OUTAD	1SNA 205 710 R1100
OUTA	1SNA 205 284 R0300	OUTA	1SNA 205 284 R0300
EXAD2	1SNA 205 721 R0000	EXAD2	1SNA 205 721 R0000
BJADO6.2 17,5 A 2 poles	1SNA 205 974 R0600		
BJADO6.3 17,5 A 3 poles	1SNA 205 975 R0700		
BJADO6.4 17,5 A 4 poles	1SNA 205 976 R0000		
BJADO6.5 17,5 A 5 poles	1SNA 205 977 R0100		
BJADO6.10 17,5 A 10 poles	1SNA 205 982 R2700		
BJADO6.20 17,5 A 20 poles	1SNA 205 992 R2100		
CEADO.6	1SNA 399 346 R1200		
CEADOE	1SNA 399 341 R1500		
RC610		RCAL85 RC810	

(1) Only for terminal blocks with test DIA. 2 mm.

Heavy duty switch terminal blocks with blade insulation displacement ADO - ADO
 DIN 3

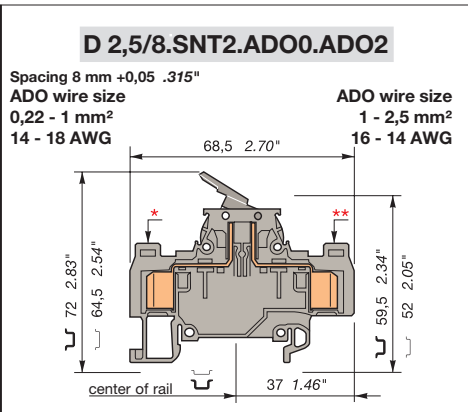


End stop	th. 9 mm	BADL	V0	1SNA 399 903 R0200
End stop	th. 10 mm	BAM2	V2	1SNA 206 351 R1600
End stop	th. 10 mm	BAM2 V0	V0	1SNA 399 967 R0100
Rail	35 x 7,5 x 1	PR3.Z2		1SNA 174 300 R1700
Rail	35 x 15 x 2,3	PR4		1SNA 168 500 R1200
Rail	35 x 15 x 1,5	PR5		1SNA 168 700 R2200

Other end stops, rails and accessories : see section on accessories.

Notes

Standard blocks 8 mm spacing. For two wires connections, the wires need to be of the **same gage and nature** (solid or stranded). Terminal block body material is UL 94 V0.



Colour			Type			Part numbers		
With DIA. 2 mm test on two sides.			Grey			D 2,5/8.SNT2.ADO0.ADO2		
						1SNA 399 754 R1300		

Characteristics

Wire size	IEC		UL	CSA
	NFC	DIN	pending	pending
Screw	Rigid			
	Flexible			
ADO	Rigid	1-2,5 mm ²	16-14 AWG	16-14 AWG
	Flexible	1-2,5 mm ²	16-14 AWG	16-14 AWG

Characteristics

Wire size	IEC		UL	CSA
	NFC	DIN		
Screw	Rigid			
	Flexible			
ADO	Rigid			
	Flexible			

Voltage

Rated	500 V	600 V	600 V
Impulse withstand	6 kV		
Pollution degree	3		

Current

Rated	10 A	10 A	10 A
-------	------	------	------

Wire size

Rated	1 mm ²	14 AWG	14 AWG
-------	-------------------	--------	--------

Wire stripping length (screw) | Recommended screwdriver | Recommended torque (screw) | Protection

IP 20
NEMA 1

Voltage

Rated			
Impulse withstand			
Pollution degree			

Current

NoRatedminale			
---------------	--	--	--

Section

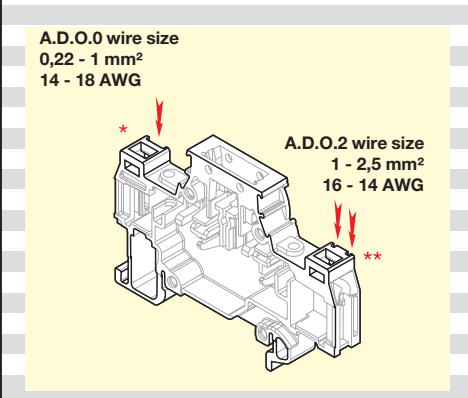
Rated			
-------	--	--	--

Wire stripping length (screw) | Recommended screwdriver | Recommended torque (screw) | Protection

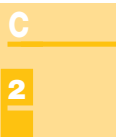
Accessories

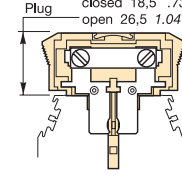
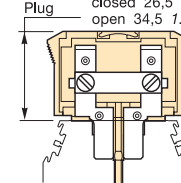


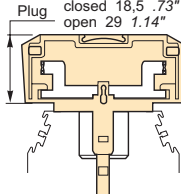
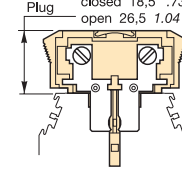
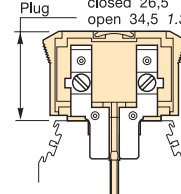
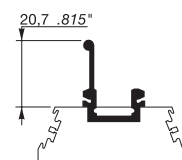
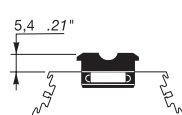


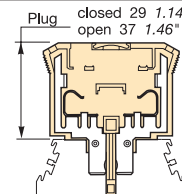
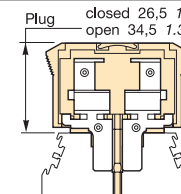
	1 End section	grey orange blue
	2 Test plug	
	3 Hand tool kit	
	4 Semi automatic tool	
	5 Pneumatic tool kit	
	6 Replacement head kit	
	7 Extraction head kit	
	8 Test connector	
	R See section on markers Marking method	

Type	Part numbers	
FEDAD5	th. 2 mm	1SNA 199 354 R0200
FEDAD5	th. 2 mm	1SNA 199 355 R0300
FEDAD5	th. 2 mm	1SNA 199 590 R2400
FC2	V2 (1) DIA. 2 mm	1SNA 007 865 R2600
OUMAD		1SNA 179 466 R0600
OUPAD		1SNA 178 944 R0400
OUTAD		1SNA 205 710 R1100
OUTA		1SNA 205 284 R0300
EXAD2		1SNA 205 721 R0000
CEADO.8		1SNA 399 348 R2400
CEADOE		1SNA 399 341 R1500



RCAL85 RC810
 (1) Only for terminal blocks with test DIA. 2 mm.



Selection guide for different types of plugs							
	Types of plugs	Types of fuses	D 1/5.S.ADO	D 1/5.SFAT2.ADO	D 1,5/6.S.ADO	D 2,5/8.S.ADO	
Switching function	Short-circuit plug				 <p>Plug closed 18,5 .73" open 26,5 1.04"</p> <p>BNC62 without test 1SNA 196 853 R1400</p>	 <p>Plug closed 26,5 1.04" open 34,5 1.36"</p> <p>BNCT82 with test 1SNA 196 926 R0500</p>	
		Soldered fuses type FUBS - 0,5 to 5 A - 250 V  Flat fuses type FUPLV - 1 to 5 A - 250 V 	 <p>Plug closed 18,5 .73" open 29 1.14"</p> <p>BNS.D5 1SNA 295 381 R2600</p>		 <p>Plug closed 18,5 .73" open 26,5 1.04"</p> <p>BNSV62 1SNA 196 854 R1500</p>	 <p>Plug closed 26,5 1.04" open 34,5 1.36"</p> <p>BNSV82 1SNA 196 927 R0600</p>	
Fuse protection function	Fuse holder plug	Automotive miniature fuses (2) type FUAUTO 2 A to 3 A - 32 V maxi		 <p>20,7 .815"</p> <p>BFSAUTO 1SNA 299 877 R0300 V0 black</p>		 <p>5,4 .21"</p> <p>BFAUTO 1SNA 299 486 R2400 V0 black</p>	
		Fuses 5 x 20 type FU520 - 0,5 to 5 A - 250 V  Fuses 5 x 25 type FU525 - 1,6 to 6,3 A - 250 V 			 <p>Plug closed 29 1.14" open 37 1.46"</p> <p>BNF652 1SNA 196 998 R1600 BNF652D (3) 1SNA 196 999 R1700 BNF652D1(4) 1SNA 196 966 R1500 BNF652L (5) 1SNA 196 967 R1600</p>	 <p>Plug closed 26,5 1.04" open 34,5 1.36"</p> <p>BNF52 1SNA 196 924 R0300</p>	

Types of fuses

Soldered fuses

FUBS	0,5 A	1SNA 174 893 R1600
FUBS	1 A	1SNA 174 894 R1700
FUBS	2 A	1SNA 174 895 R1000
FUBS	3 A	1SNA 174 896 R1100
FUBS	5 A	1SNA 174 897 R1200

Flat fuses

FUPLV	1 A	1SNA 008 096 R2000
FUPLV	2 A	1SNA 008 097 R2100
FUPLV	5 A	1SNA 008 098 R0200

Fuses 5 x 20 mm

FU520	0,5 A	1SNA 008 288 R1500
FU520	1 A	1SNA 008 290 R1300
FU520	2 A	1SNA 008 291 R0000
FU520	3.15 A	1SNA 008 289 R1600
FU520	5 A	1SNA 008 292 R0100

Automotive miniature fuses

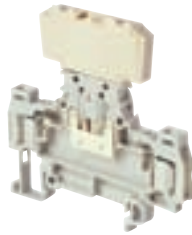
FUAUTO	2 A	1SNA 179 879 R1400
FUAUTO	3 A	1SNA 179 880 R0200

Fuses 5 x 25 mm

FU525	1.6 A	1SNA 167 546 R2200
FU525	2 A	1SNA 167 547 R2300
FU525	2.5 A	1SNA 167 548 R0400
FU525	4 A	1SNA 167 549 R0500
FU525	6.3 A	1SNA 167 550 R0200

Nota : (1) Compatible with electronic components max.diameter or thickness for components : - plug BNSV62 : 4 mm/.157" max. - plug BNSV82 : 6 mm /.236"max.
 (2) For all fuses, the dissipated load should remain under 0,8 W. (3) with led 24 V AC/DC. (4) with led 48 V AC/DC. (5) avec neon lamp 110-230 V AC/DC.

Insulation displacement
Heavy duty switch terminal blocks with plug
ADO - ADO
 DIN 3



End stop	th. 9 mm	BADL	V0	1SNA 399 903 R0200
End stop	th. 10 mm	BAM2	V2	1SNA 206 351 R1600
End stop	th. 10 mm	BAM2 V0	V0	1SNA 399 967 R0100
Rail	35 x 7,5 x 1	PR3.Z2		1SNA 174 300 R1700
Rail	35 x 15 x 2,3	PR4		1SNA 168 500 R1200
Rail	35 x 15 x 1,5	PR5		1SNA 168 700 R2200

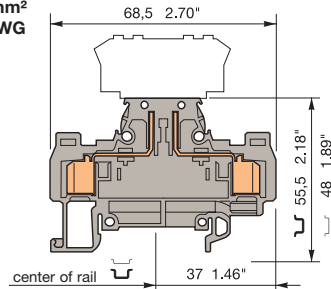
Other end stops, rails and accessories : see section on accessories.

Notes

For two wire connection max., the wires need to be of the same gage and nature (rigid or flexible). Terminal block body material is UL 94 V0.

D 1/5.S.ADO

Spacing 5 mm +0,05 .198"
 ADO wire size
 0,22 - 1 mm²
 24 - 18 AWG



Colour	Type	Part number	Colour	Type	Part number
Grey	<input type="checkbox"/>	D 1/5.S.ADO			1SNA 399 235 R0300

Characteristics

Wire size	IEC		UL/CSA
	NFC	DIN	
Screw	Rigid		
	Flexible		
ADO	Rigid	0,2-1 mm ²	24-18 AWG
	Flexible	0,22-1 mm ²	24-18 AWG

Characteristics

Wire size	IEC		UL/CSA
	NFC	DIN	
Screw	Rigid		
	Flexible		
ADO	Rigid		
	Flexible		

Voltage

Rated	500 V (3)
Impulse withstand	4 kV
Pollution degree	3

Voltage

Rated	
Impulse withstand	
Pollution degree	

Current

Rated	10 A
-------	------

Current

Rated	
-------	--

Wire size

Rated	1 mm ²
Wire strip. length	
Recomm. screwdriver	
Weight	9 g
Protection	IP 20
	.32 oz NEMA 1

Wire size

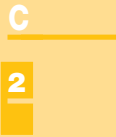
Rated	
Wire strip. length	
Recomm. screwdriver	
Weight	
Protection	

Accessories

	1 End section	grey orange
	2 Fuse-holder plug	
	3 Plug extractor	
	4 Soldered fuses	
	5 Shielding connector	
	6 Hand tool kit	
	7 Semi-automatic tool	
	8 Pneumatic tool kit	
	9 Replacement head kit	
	10 Extraction tool kit	
	11 Screwless jumper bar to be inserted into ADO jaw orange IP20	
	12 Test connector	
	R See section on markers marking method	

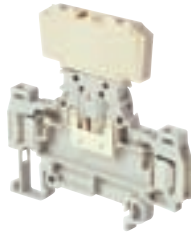
Type	Part numbers			Type	Part numbers
FEDAD5	th. 2 mm		1SNA 199 354 R0200		
FEDAD5	th. 2 mm		1SNA 199 355 R0300		
BNS.D5	th. 5 mm		1SNA 295 381 R2600		
EXBN2			1SNA 171 018 R2000		
FUBS	0.5 A		1SNA 174 893 R1600		
FUBS	1 A		1SNA 174 894 R1700		
FUBS	2 A		1SNA 174 895 R1000		
FUBS	3 A		1SNA 174 896 R1100		
FUBS	5 A		1SNA 174 897 R1200		
CBD2	th. 0,8 mm		1SNA 179 635 R0700		
OUMAD			1SNA 179 466 R0600		
OUPAD			1SNA 178 944 R0400		
OUTAD			1SNA 205 710 R1100		
OUTA			1SNA 205 284 R0300		
EXAD2			1SNA 205 721 R0000		
BJADO5.2	13,5 A	2 poles	1SNA 205 955 R0300		
BJADO5.3	13,5 A	3 poles	1SNA 205 956 R0400		
BJADO5.4	13,5 A	4 poles	1SNA 205 957 R0500		
BJADO5.5	13,5 A	5 poles	1SNA 205 958 R1600		
BJADO5.10	13,5 A	10 poles	1SNA 205 963 R0300		
BJADO5.20	13,5 A	20 poles	1SNA 205 973 R0500		
CEADO.5			1SNA 399 345 R1100		
CEADOE			1SNA 399 341 R1500		
RC55	RC510				

(3) Terminal block insulating voltage. Working voltage according to fuse.

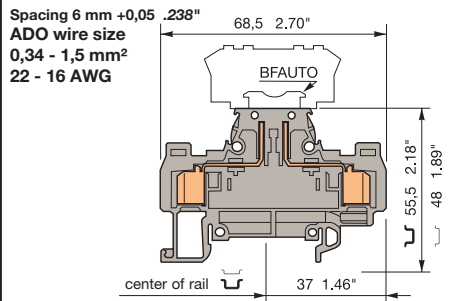


Heavy duty switch terminal blocks with blade insulation displacement

ADO - ADO
DIN 3

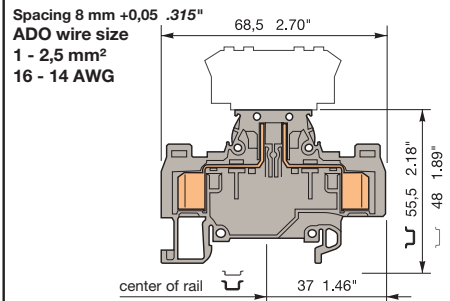


D 1,5/6.S.ADO



Switch connection block 6 mm by polarized plug, delivered separately.

D 2,5/8.S.ADO



Switch connection block 8 mm by polarized plug, delivered separately.



Colour	Type	Part number
Grey	D 1,5/6.S.ADO	1SNA 199 142 R2600

Colour	Type	Part number
Grey	D 2,5/8.S.ADO	1SNA 199 164 R2400
Orange	D 2,5/8.S.ADO	1SNA 199 163 R2300

Characteristics			
Wire size	Wire size		
	IEC NFC DIN	UL	CSA
Screw	Rigid		
	Flexible		
ADO	Rigid	0,34-1,5 mm ²	22-16 AWG
	Flexible	0,34-1,5 mm ²	22-16 AWG

Characteristics			
Wire size	Wire size		
	IEC NFC DIN	UL	CSA
Screw	Rigid		
	Flexible		
ADO	Rigid	1-2,5 mm ²	16-14 AWG
	Flexible	1-2,5 mm ²	16-14 AWG

Voltage			
Rated	500 V (3)	600 V	600 V
Impulse withstand	6 kV		
Pollution degree	3		

Voltage			
Rated	500 V (3)	600 V	600 V
Impulse withstand	6 kV		
Pollution degree	3		

Current			
Rated	10 A	8 A	10 A

Wire size			
Rated	1,5 mm ²	16 AWG	16 AWG
Wire strip. length	Recomm. screwdriver	Weight	Protection
		10 g	IP 20
		.35 oz	NEMA 1

Current			
Rated	15 A	15 A	15 A

Section			
Rated	2,5 mm ²	14 AWG	14 AWG
Wire strip. length	Recomm. screwdriver	Weight	Protection
		13 g	IP 20
		.46 oz	NEMA 1

End stop	th. 9 mm	BADL	V0	1SNA 399 903 R0200
End stop	th. 10 mm	BAM2	V2	1SNA 206 351 R1600
End stop	th. 10 mm	BAM2 V0	V0	1SNA 399 967 R0100
Rail	35 x 7,5 x 1	PR3.Z2		1SNA 174 300 R1700
Rail	35 x 15 x 2,3	PR4		1SNA 168 500 R1200
Rail	35 x 15 x 1,5	PR5		1SNA 168 700 R2200

Other end stops, rails and accessories : see section on accessories.

Notes

Standard block 6 and 8 mm. For two wire connections, the wires need to be of the same gage and nature (rigid or flexible). Terminal block body material is UL 94 V0.

* Black marking for wire size 1-2,5 mm² (16-14 AWG)

Accessories

	1 End section	grey	FEDAD5	th. 2 mm	1SNA 199 354 R0200
	2 Short-circuit plug	(2)	BNC62	th. 6 mm	1SNA 196 853 R1400
	3 Fuse-holder plug		BNSV62	th. 6 mm	1SNA 196 854 R1500
	4 Fuse-holder plug (automotive)	(2)	BFAUTO V0	black	1SNA 299 486 R2400
	5 Fuse-holder plug (for fuses 5 x 20 or 5 x 25)	(2)	BNF652V0 V0	th. 6 mm	1SNA 196 998 R1600
	6 Plug extractor		BNF652D(1) V0	th. 6 mm	1SNA 196 999 R1700
	7 Shielding connector		BNF652D1(1) V0	th. 6 mm	1SNA 196 966 R1500
	8 Hand tool kit		BNF652L(1) V0	th. 6 mm	1SNA 196 967 R1600
	9 Semi automatic tool		EXBN2		1SNA 171 018 R2000
	10 Pneumatic tool		CBD2	th. 0,8 mm	1SNA 179 635 R0700
	11 Replacement head kit		OUMAD		1SNA 179 466 R0600
	12 Extraction head kit		OUPAD		1SNA 178 944 R0400
	13 Screwless jumper bar to be inserted into ADO jaw orange IP20		OUTAD		1SNA 205 710 R1100
	14 Test connector		OUTA		1SNA 205 284 R0300
	R See section on markers		EXAD2		1SNA 205 721 R0000
	Marking method		BJADO6.2	17,5 A 2 poles	1SNA 205 974 R0600
			BJADO6.3	17,5 A 3 poles	1SNA 205 975 R0700
			BJADO6.4	17,5 A 4 poles	1SNA 205 976 R0000
			BJADO6.5	17,5 A 5 poles	1SNA 205 977 R0100
			BJADO6.10	17,5 A 10 poles	1SNA 205 982 R2700
			BJADO6.20	17,5 A 20 poles	1SNA 205 992 R2100
			CEADO.6		1SNA 399 346 R1200
			CEADOE		1SNA 399 341 R1500

Type	Part numbers
FEDAD5	th. 2 mm 1SNA 199 354 R0200
BNC62	th. 6 mm 1SNA 196 853 R1400
BNSV62	th. 6 mm 1SNA 196 854 R1500
BFAUTO V0	black 1SNA 299 486 R2400
BNF652V0 V0	th. 6 mm 1SNA 196 998 R1600
BNF652D(1) V0	th. 6 mm 1SNA 196 999 R1700
BNF652D1(1) V0	th. 6 mm 1SNA 196 966 R1500
BNF652L(1) V0	th. 6 mm 1SNA 196 967 R1600
EXBN2	1SNA 171 018 R2000
CBD2	th. 0,8 mm 1SNA 179 635 R0700
OUMAD	1SNA 179 466 R0600
OUPAD	1SNA 178 944 R0400
OUTAD	1SNA 205 710 R1100
OUTA	1SNA 205 284 R0300
EXAD2	1SNA 205 721 R0000
BJADO6.2	17,5 A 2 poles 1SNA 205 974 R0600
BJADO6.3	17,5 A 3 poles 1SNA 205 975 R0700
BJADO6.4	17,5 A 4 poles 1SNA 205 976 R0000
BJADO6.5	17,5 A 5 poles 1SNA 205 977 R0100
BJADO6.10	17,5 A 10 poles 1SNA 205 982 R2700
BJADO6.20	17,5 A 20 poles 1SNA 205 992 R2100
CEADO.6	1SNA 399 346 R1200
CEADOE	1SNA 399 341 R1500

Type	Part numbers
FEDAD5	th. 2 mm 1SNA 199 354 R0200
BNCT82	th. 8 mm 1SNA 196 926 R0500
BNSV82	th. 8 mm 1SNA 196 927 R0600
BNF52	th. 8 mm 1SNA 196 924 R0300
EXBN2	1SNA 171 018 R2000
OUMAD	1SNA 179 466 R0600
OUPAD	1SNA 178 944 R0400
OUTAD	1SNA 205 710 R1100
OUTA	1SNA 205 284 R0300
EXAD2	1SNA 205 721 R0000

(1) Leakage current with LED 24 V or 48 V : <1,6 mA and with neon lamp 110 or 230 VAC/DC : < 0,5 mA.
(2) See selection guide for dimensions of plugs and type of fuses to use.
(3) Terminal block insulating voltage, working voltage according to fuse.

Terminal blocks Insulation Displacement

Fuse blocks for 5 x 20
and 5 x 25 fuses

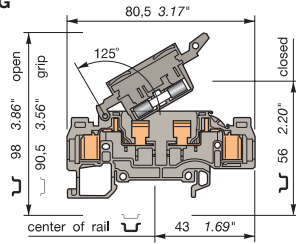
ADO - ADO

DIN 3



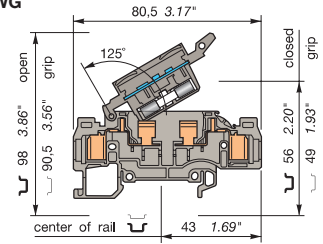
D 1,5/8.SFT.ADO

Spacing 8 mm +0,05 .315"
ADO wire size
0,34 - 1,5 mm²
22 - 16 AWG



D 1,5/8.SF...T.ADO

Spacing 8 mm +0,05 .315"
ADO wire size
0,34 - 1,5 mm²
22 - 16 AWG



Colour	Type	Part numbers
With DIA. 2 or 2.3 mm screw test socket for test		
Grey	D 1,5/8.SFT.ADO	1SNA 199 208 R1100
Orange	D 1,5/8.SFT.ADO	1SNA 199 209 R1200

Colour	Type	Part numbers
With DIA. 2 or 2.3 mm screw test socket for test		
Grey (1)	D 1,5/8.SFLT.ADO	1SNA 199 211 R2300
Grey (2)	D 1,5/8.SFDT.ADO	1SNA 199 212 R2400
Grey (3)	D 1,5/8.SFD1T.ADO	1SNA 199 213 R2500

Characteristics				
Wire size	IEC		UL	CSA
	NFC	DIN		
Screw				
ADO	Rigid	0,34-1,5 mm ²	22-16 AWG	22-16 AWG
	Flexible	0,34-1,5 mm ²	22-16 AWG	22-16 AWG

Characteristics				
Wire size	IEC		UL	CSA
	NFC	DIN		
Screw				
ADO	Rigid	0,34-1,5 mm ²	22-16 AWG	22-16 AWG
	Flexible	0,34-1,5 mm ²	22-16 AWG	22-16 AWG

End stop	th. 9 mm	BADL	V0	1SNA 399 903 R0200
Rail	35 x 7,5 x 1	PR3.Z2		1SNA 174 300 R1700
Rail	35 x 15 x 2,3	PR4		1SNA 168 500 R1200
Rail	35 x 15 x 1,5	PR5		1SNA 168 700 R2200

Other end stops, rails and accessories : see section on accessories.

Notes

Standard blocks 8 mm spacing. For two wires connections, the wires need to be of the same gage and nature (solid or stranded). Terminal block body material is UL 94 V0.

On all the blocks a DIA. 2 or 2.3 mm test across the grip can be performed.

Voltage			
Rated	630 V (4)	600 V (4)	600 V (4)
Impulse withstand	8 kV		
Pollution degree	3		

Voltage			
Rated	500 V (4)	600 V (4)	600 V (4)
Impulse withstand	6 kV		
Pollution degree	3		

Current			
Rated	6,3 A	8 A	10 A

Current			
Rated	6,3 A	8 A	10 A

Wire size			
Rated / Gauge	1,5 mm ²	16 AWG	16 AWG
Wire strip. length	Recomm. screwdriver	Weight	Protection
		15 g	IP 20
		.53 oz	NEMA 1

Wire size			
Rated / Gauge	1,5 mm ²	16 AWG	16 AWG
Wire strip. length	Recomm. screwdriver	Weight	Protection
		16 g	IP 20
		.56 oz	NEMA 1

Accessories

1 End section	gris	FEDAD7	th. 1,5 mm	1SNA 199 382 R2700
2 Test plug		FC2 MC	DIA. 2 mm	1SNA 107 239 R0300
3 Assembly rod		TGA8	2 poles	1SNA 168 672 R1100
		TGA8	3 poles	1SNA 168 673 R1200
		TGA8	4 poles	1SNA 168 674 R1300
4 Assembly ring		ANT		1SNA 168 675 R1400
5 5x20 fuses - 250 V		FU520	0,5 A	1SNA 008 288 R1500
		FU520	1 A	1SNA 008 290 R1300
		FU520	2 A	1SNA 008 291 R0000
		FU520	3,15 A	1SNA 008 289 R1600
		FU520	5 A	1SNA 008 292 R0100
5x25 fuses - 250 V		FU525	1,6 A	1SNA 167 546 R2200
		FU525	2 A	1SNA 167 547 R2300
		FU525	2,5 A	1SNA 167 548 R0400
		FU525	4 A	1SNA 167 549 R0500
		FU525	6,3 A	1SNA 167 550 R0200
6 Hand tool kit		OUMAD		1SNA 179 466 R0600
7 Semi automatic tool		OUPAD		1SNA 178 944 R0400
8 Pneumatic tool kit		OUTAD		1SNA 205 710 R1100
9 Replacement head kit		OUTA		1SNA 205 284 R0300
10 Extraction head kit		EXAD2		1SNA 205 721 R0000
11 Test connector		CEADO.8		1SNA 399 348 R2400
		CEADOE		1SNA 399 341 R1500

Type	P/N
FEDAD7	th. 1,5 mm 1SNA 199 382 R2700
FC2 MC	DIA. 2 mm 1SNA 107 239 R0300
TGA8	2 poles 1SNA 168 672 R1100
TGA8	3 poles 1SNA 168 673 R1200
TGA8	4 poles 1SNA 168 674 R1300
ANT	1SNA 168 675 R1400
FU520	0,5 A 1SNA 008 288 R1500
FU520	1 A 1SNA 008 290 R1300
FU520	2 A 1SNA 008 291 R0000
FU520	3,15 A 1SNA 008 289 R1600
FU520	5 A 1SNA 008 292 R0100
FU525	1,6 A 1SNA 167 546 R2200
FU525	2 A 1SNA 167 547 R2300
FU525	2,5 A 1SNA 167 548 R0400
FU525	4 A 1SNA 167 549 R0500
FU525	6,3 A 1SNA 167 550 R0200
OUMAD	1SNA 179 466 R0600
OUPAD	1SNA 178 944 R0400
OUTAD	1SNA 205 710 R1100
OUTA	1SNA 205 284 R0300
EXAD2	1SNA 205 721 R0000
CEADO.8	1SNA 399 348 R2400
CEADOE	1SNA 399 341 R1500

Type	P/N
FEDAD7	th. 1,5 mm 1SNA 199 382 R2700
FC2 MC	DIA. 2 mm 1SNA 107 239 R0300
TGA8	2 poles 1SNA 168 672 R1100
TGA8	3 poles 1SNA 168 673 R1200
TGA8	4 poles 1SNA 168 674 R1300
ANT	1SNA 168 675 R1400
FU520	0,5 A 1SNA 008 288 R1500
FU520	1 A 1SNA 008 290 R1300
FU520	2 A 1SNA 008 291 R0000
FU520	3,15 A 1SNA 008 289 R1600
FU520	5 A 1SNA 008 292 R0100
FU525	1,6 A 1SNA 167 546 R2200
FU525	2 A 1SNA 167 547 R2300
FU525	2,5 A 1SNA 167 548 R0400
FU525	4 A 1SNA 167 549 R0500
FU525	6,3 A 1SNA 167 550 R0200
OUMAD	1SNA 179 466 R0600
OUPAD	1SNA 178 944 R0400
OUTAD	1SNA 205 710 R1100
OUTA	1SNA 205 284 R0300
EXAD2	1SNA 205 721 R0000
CEADO.8	1SNA 399 348 R2400
CEADOE	1SNA 399 341 R1500

- (1) Blown-fuse indicator by 110 V - 230 V neon lamp (leakage current with neon lamp < 0,5 mA (110 V) - < 0,7 mA (230 V)).
- (2) Blown-fuse indicator by LED 24 V (+24V labeled) (leakage current with LED 24 V or 48 V < 4,5 mA).
- (3) Blown-fuse indicator by LED 48 V (+48V labeled) (leakage current with LED 24 V or 48 V < 4,5 mA).
- (4) Terminal block insulating voltage. Working voltage according to fuse.

RCB10	RCAL85
-------	--------

RCB10	RCAL85
-------	--------

Terminal blocks Insulation Displacement



Fuse blocks for
5x20 and 5x25 fuses
ADO - ADO

DIN 3



End stop	th. 9 mm	BADL	VO	1SNA 399 903 R0200
Rail	35 x 7,5 x 1	PR3.Z2		1SNA 174 300 R1700
Rail	35 x 15 x 2,3	PR4		1SNA 168 500 R1200
Rail	35 x 15 x 1,5	PR5		1SNA 168 700 R2200

Other end stops, rails and accessories : see section on accessories.

Notes

Standard bloc 8 mm. For multiple wire connections, the two wires need to be of the **same gage and nature** (rigid or flexible). Terminal block body material is UL 94 V0.

On all the blocks a DIA. 2 or 2.3 mm test across the grip can be performed.

Black marking for wire size 1 - 2,5 mm² (16 - 14 AWG)

Accessories

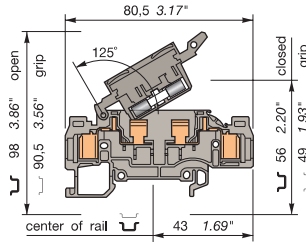
	1 End section	grey
	2 Test plug	
	3 Assembly rod	
	4 Assembly ring	
	5 5x20 fuses - 250 V	
	6 5x25 fuses - 250 V	
	7 Hand tool kit	
	8 Semi automatic tool	
	9 Pneumatic tool kit	
	10 Replacement head kit	
	10 Extraction head kit	



R See section on markers
Marking method

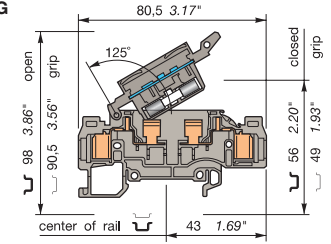
D 2,5/8.SFT.ADO2

Spacing 8 mm +0,05 .315"
ADO wire size
1 - 2,5 mm²
16 - 14 AWG



D 2,5/8.SF...T.ADO2

Spacing 8 mm +0,05 .315"
ADO wire size
1 - 2,5 mm²
16 - 14 AWG



Colour	Type	Part numbers
Grey	D 2,5/8.SFT.ADO2	1SNA 199 184 R1100
Orange	D 2,5/8.SFT.ADO2	1SNA 199 185 R1200

For test sockets DIA. 2 or DIA. 2,3 mm.

Characteristics

Wire size	Wire size		
	IEC NFC DIN	UL	CSA
Screw	Rigid		
	Flexible		
ADO	Rigid	1-2,5 mm ²	16-14 AWG
	Flexible	1-2,5 mm ²	16-14 AWG

Voltage			
Rated	630 V (4)	600 V (4)	600 V (4)
Impulse withstand	8 kV		
Pollution degree	3		

Current			
Rated	6,3 A	10 A	10 A

Wire size			
Rated / Gauge	2,5 mm ²	14 AWG	14 AWG
Wire strip. length	Recomm. screwdriver	Weight	Protection
		16 g	IP 20
		.56 oz	NEMA 1



Colour	Type	Part numbers
Grey (1)	D 2,5/8.SFLT.ADO2	1SNA 199 187 R1400
Grey (2)	D 2,5/8.SFDT.ADO2	1SNA 199 188 R2500
Grey (3)	D 2,5/8.SFD1T.ADO2	1SNA 199 189 R2600

For test sockets DIA. 2 or DIA. 2,3 mm.

Characteristics

Wire size	Wire size		
	IEC NFC DIN	UL	CSA
Screw	Rigid		
	Flexible		
ADO	Rigid	1-2,5 mm ²	16-14 AWG
	Flexible	1-2,5 mm ²	16-14 AWG

Voltage			
Rated	500 V (4)	600 V (4)	600 V (4)
Impulse withstand	6 kV		
Pollution degree	3		

Current			
Rated	6,3 A	10 A	10 A

Wire size			
Rated / Gauge	2,5 mm ²	14 AWG	14 AWG
Wire strip. length	Recomm. screwdriver	Weight	Protection
		17 g	IP 20
		.60 oz	NEMA 1

Type	P/N		
FEDAD7	th. 1,5 mm	1SNA 199 382 R2700	
FC2 MC	DIA. 2 mm	1SNA 107 239 R0300	
TGA8	2 poles	1SNA 168 672 R1100	
TGA8	3 poles	1SNA 168 673 R1200	
TGA8	4 poles	1SNA 168 674 R1300	
ANT		1SNA 168 675 R1400	
FU520	0,5 A	1SNA 008 288 R1500	
FU520	1 A	1SNA 008 290 R1300	
FU520	2 A	1SNA 008 291 R0000	
FU520	3,15 A	1SNA 008 289 R1600	
FU520	5 A	1SNA 008 292 R0100	
FU525	1,6 A	1SNA 167 546 R2200	
FU525	2 A	1SNA 167 547 R2300	
FU525	2,5 A	1SNA 167 548 R0400	
FU525	4 A	1SNA 167 549 R0500	
FU525	6,3 A	1SNA 167 550 R0200	
OUMAD		1SNA 179 466 R0600	
OUPAD		1SNA 178 944 R0400	
OUTAD		1SNA 205 710 R1100	
OUTA		1SNA 205 284 R0300	
EXAD2		1SNA 205 721 R0000	

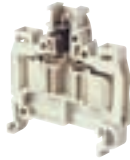
Type	P/N		
FEDAD7	th. 1,5 mm	1SNA 199 382 R2700	
FC2	DIA. 2 mm	1SNA 107 239 R0300	
TGA8	2 poles	1SNA 168 672 R1100	
TGA8	3 poles	1SNA 168 673 R1200	
TGA8	4 poles	1SNA 168 674 R1300	
ANT		1SNA 168 675 R1400	
FU520	0,5 A	1SNA 008 288 R1500	
FU520	1 A	1SNA 008 290 R1300	
FU520	2 A	1SNA 008 291 R0000	
FU520	3,15 A	1SNA 008 289 R1600	
FU520	5 A	1SNA 008 292 R0100	
FU525	1,6 A	1SNA 167 546 R2200	
FU525	2 A	1SNA 167 547 R2300	
FU525	2,5 A	1SNA 167 548 R0400	
FU525	4 A	1SNA 167 549 R0500	
FU525	6,3 A	1SNA 167 550 R0200	
OUMAD		1SNA 179 466 R0600	
OUPAD		1SNA 178 944 R0400	
OUTAD		1SNA 205 710 R1100	
OUTA		1SNA 205 284 R0300	
EXAD2		1SNA 205 721 R0000	

(1) Blown-fuse indicator by 110 V - 230 V neon lamp (leakage current with neon lamp < 0,5 mA (110 V) - < 0,7 mA (230 V)).
 (2) Blown-fuse indicator by LED 24 V (+24V labeled) (leakage current with LED 24 V or 48 V < 4,5 mA).
 (3) Blown-fuse indicator by LED 48 V (+48V labeled) (leakage current with LED 24 V or 48 V < 4,5 mA).
 (4) Terminal block insulating voltage.
 Working voltage according to fuse.

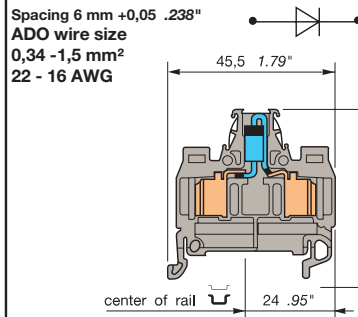
RC810	RCAL85
-------	--------

RC810	RCAL85
-------	--------

Terminal blocks
Component holder
ADO - ADO
 DIN 3

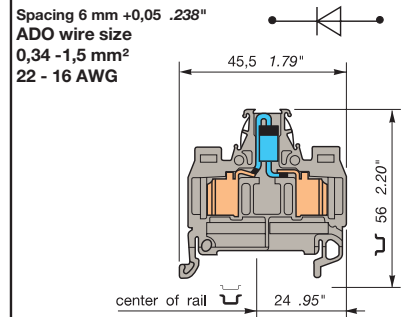


D 1,5/6.ADO.D1



Block equipped with one 1N5408 diode

D 1,5/6.ADO.D2



Block equipped with one 1N5408 diode

Color	Type	Part number	Color	Type	Part number
Grey	D 1,5/6.ADO.D1	1SNA 199 248 R1000	Grey	D 1,5/6.ADO.D2	1SNA 199 249 R1100

Characteristics				Characteristics					
Wire size		IEC	UL	CSA	Wire size		IEC	UL	CSA
		NFC	DIN				NFC	DIN	
Screw	Rigid				Screw	Rigid			
	Flexible					Flexible			
ADO	Rigid	0,34 - 1,5 mm ²	22-16 AWG	22-16 AWG	ADO	Rigid	0,34 - 1,5 mm ²	22-16 AWG	22-16 AWG
	Flexible	0,34 - 1,5 mm ²	22-16 AWG	22-16 AWG		Flexible	0,34 - 1,5 mm ²	22-16 AWG	22-16 AWG

Voltage				Voltage			
Rated	80 V			Rated	80 V		
Impulse withstand				Impulse withstand			
Pollution degree				Pollution degree			
Current				Current			
Rated	1 A			Rated	1 A		
Wire size				Wire size			
Rated / Gauge	1,5 mm ²	16 AWG	16 AWG	Rated/gauge	1,5 mm ²	16 AWG	16 AWG
Wire strip. length	Recomm. screwdriver	Weight	Protection	Wire strip. length	Recomm. screwdriver	Weight	Protection
		7 g	IP 20			7 g	IP 20
		.25 oz	NEMA 1			.25 oz	NEMA 1

End stop	th. 10 mm	BAM2	V2	1SNA 206 351 R1600
End stop	th. 10 mm	BAM2 V0	V0	1SNA 399 967 R0100
End stop	th. 9,1 mm	BAM3	V2	1SNA 114 588 R1000
Rail	35 x 7,5 x 1	PR3.Z2		1SNA 174 300 R1700
Rail	35 x 15 x 2,3	PR4		1SNA 168 500 R1200
Rail	35 x 15 x 1,5	PR5		1SNA 168 700 R2200

Other end stops, rails and accessories : see section on accessories.

Notes
 Standard bloc 6 mm. For multiple wire connections, the two wires need to be of the same gage and nature (rigid or flexible). Terminal block body material is UL 94 V0.

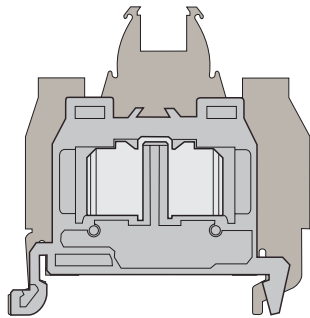
Accessories

	1 End section	grey
	2 Shielding connector	
	3 Hand tool kit	
	4 Semi automatic tool	
	5 Pneumatic tool kit	
	6 Replacement head kit	
	7 Extraction tool kit	
	8 Screwless jumper bar to be inserted into ADO jaw orange IP20	
	9 Test connector	
	R See section on markers	
	Marking method	

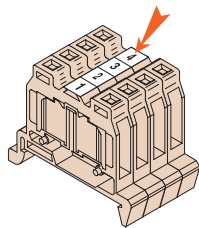
Type	Part numbers			Type	Part numbers		
FEMAD3	th. 3,0 mm	1SNA 199 341 R0500		FEMAD3	th. 3,0 mm	1SNA 199 341 R0500	
CBM5	th. 0,5 mm	1SNA 178 745 R1400		CBM5	th. 0,5 mm	1SNA 178 745 R1400	
CBM8	th. 0,8 mm	1SNA 178 746 R1500		CBM8	th. 0,8 mm	1SNA 178 746 R1500	
OUMAD		1SNA 179 466 R0600		OUMAD		1SNA 179 466 R0600	
OUPAD		1SNA 178 944 R0400		OUPAD		1SNA 178 944 R0400	
OUTAD		1SNA 205 710 R1100		OUTAD		1SNA 205 710 R1100	
OUTA		1SNA 205 284 R0300		OUTA		1SNA 205 284 R0300	
EXAD2		1SNA 205 721 R0000		EXAD2		1SNA 205 721 R0000	
BJADO6.2	17,5 A 2 poles	1SNA 205 974 R0600		BJADO6.2	17,5 A 2 poles	1SNA 205 974 R0600	
BJADO6.3	17,5 A 3 poles	1SNA 205 975 R0700		BJADO6.3	17,5 A 3 poles	1SNA 205 975 R0700	
BJADO6.4	17,5 A 4 poles	1SNA 205 976 R0000		BJADO6.4	17,5 A 4 poles	1SNA 205 976 R0000	
BJADO6.5	17,5 A 5 poles	1SNA 205 977 R0100		BJADO6.5	17,5 A 5 poles	1SNA 205 977 R0100	
BJADO6.10	17,5 A 10 poles	1SNA 205 982 R2700		BJADO6.10	17,5 A 10 poles	1SNA 205 982 R2700	
BJADO6.20	17,5 A 20 poles	1SNA 205 992 R2100		BJADO6.20	17,5 A 20 poles	1SNA 205 992 R2100	
CEADO.6		1SNA 399 346 R1200		CEADO.6		1SNA 399 346 R1200	
CEADOE		1SNA 399 341 R1500		CEADOE		1SNA 399 341 R1500	
RC610	RC65			RC610	RC65		

ADO System® MINI BLOCKS

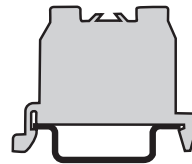
A reduced size range



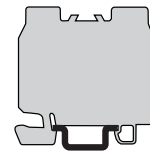
A very legible marking



Numerous mounting options
DIN Rail

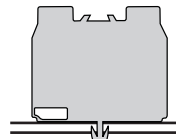


DS=DIN3

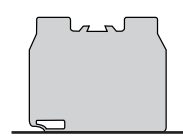


DR=DIN2

Plate



DH = snap-in



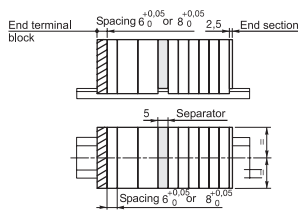
DB = base mount

ADO mini blocks use the same marking technique as standard ENTRELEC terminals, located on the top of the block.

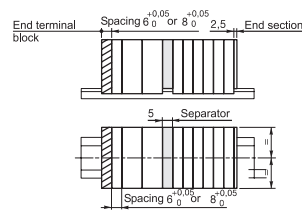
MINI BLOCKS ASSEMBLY AND ACCESSORIES

Rail mounted DIN 2 and DIN 3 :

DIN 3 : DS... ADO



DIN 2 : DR... ADO



At the end of the terminal blocks assembly :

- End section : (same accessory for any type of terminal block assembly)

FEAD1 : V/ADO End section to be mounted directly on the open part of the terminal block.
FEAD2 : ADO/ADO

- End terminal block :

DRE... ADO (DIN2) This terminal block has to be mounted at the end of the terminal blocks assembly : it reduces its size, because it suppresses the insulation rib (- 4 mm).
DSE... ADO (DIN3) **Nota : This terminal block cannot be accidentally located anywhere else into the terminal block assembly (without locking holes).**

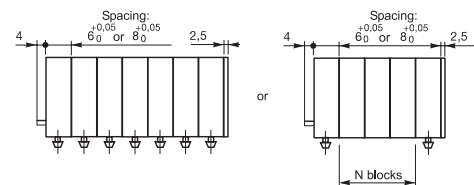
In the terminal blocks assembly :

- Separator : (same accessory for any type of terminal block assembly)

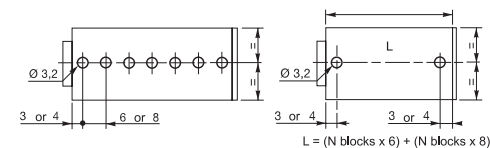
FEAD5 : V/ADO Accessory which snaps on the terminal blocks, separates and makes visible the different parts of the terminal blocks assembly.
FEAD6 : ADO/ADO

Panel mounted with snap in mounting foot :

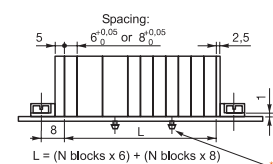
Snap in : DH... ADO



Drilling (plate thickness 0.6 mm to 1.2 mm) N blocks = 3 blocks max, with 6 mm spacing
2 blocks max, with 8 mm spacing



With screw mounting kit : DB... ADO



Drilling (plate thickness 0.6 to 1.2 mm)

2 holes Ø 3.2 for 3 mm screw max, with cylindrical head (not provided)

Intermediate mounting of DH blocks every 2 blocks (spacing 8mm) or 3 blocks (spacing 6 mm)

Miniblocks Insulation Displacement

ADO - ADO

DIN 3



Ex refer to the section "Special Applications" for part numbers and characteristics.

End stop	th. 9 mm	BADL	V0	1SNA 399 903 R0200
Rail	35 x 7,5 x 1	PR3.Z2		1SNA 174 300 R1700
Rail	35 x 15 x 2,3	PR4		1SNA 168 500 R1200
Rail	35 x 15 x 1,5	PR5		1SNA 168 700 R2200

Other end stops, rails and accessories : see section on accessories.

Notes

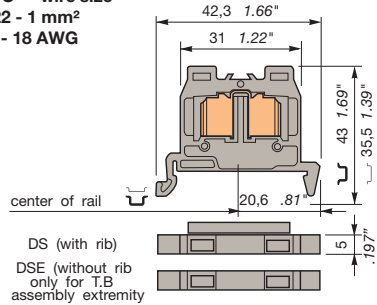
Standard blocks 5 and 6 mm. For multiple wires connections, the two wires need to be of the same gage and nature (rigid or flexible). Terminal block body material is UL 94 V0.

Accessories

	1 End section	grey
	2 Separator	orange
	3 Screwless jumper bar to be inserted into ADO jaw	orange IP20
	4 Hand tool kit	
	5 Semi automatic tool	
	6 Pneumatic tool kit	
	7 Replacement head kit	
	8 Extraction tool kit	
	9 Test connector	
	R See section on markers marking method	

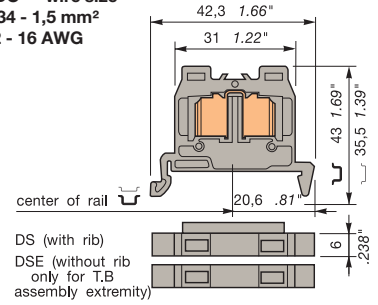
DS 1/5.ADO

Spacing 5 mm +0,05 .198"
ADO wire size
0,22 - 1 mm²
24 - 18 AWG



DS 1,5/6.ADO

Spacing 6 mm +0,05 .238"
ADO wire size
0,34 - 1,5 mm²
22 - 16 AWG



Color	Type	Part number	Color	Type	Part number
Grey	DS 1/5.ADO	1SNA 399 496 R2200	Grey	DS 1,5/6.ADO	1SNA 299 497 R2700
Blue	DS 1/5.N.ADO	1SNA 399 498 R0400	Blue	DS 1,5/6.N.ADO	1SNA 299 499 R0100
Orange	DS 1/5.ADO	1SNA 399 497 R2300	Orange	DS 1,5/6.ADO	1SNA 299 498 R0000
Grey	DSE 1/5.ADO	1SNA 399 500 R1200	Grey	DSE 1,5/6.ADO	1SNA 299 558 R1300

Characteristics

Wire size	IEC		UL/CSA
	NFC	DIN	
Rigid			
Flexible			
ADO Rigid	0,2-1 mm ²		24-18 AWG
ADO Flexible	0,22-1 mm ²		24-18 AWG

Characteristics

Wire size	IEC		UL/CSA
	NFC	DIN	
Rigid			
Flexible			
ADO Rigid	0,28-1,5 mm ²		22-16 AWG
ADO Flexible	0,34-1,5 mm ²		22-16 AWG

Voltage

Rated	1000 V	600 V
Impulse withstand	8 kV	
Pollution degree	3	

Voltage

Rated	1000 V	600 V
Impulse withstand		
Pollution degree	3	

Current

Rated	13,5 A	10 A
-------	--------	------

Current

Rated	17,5 A	20 A
-------	--------	------

Wire size

Rated / Gauge	1 mm ²	18 AWG
Wire strip. length	Recomm. screwdriver	Weight
		3 g
		.10 oz
		IP 20
		NEMA 1

Wire size

Rated / Gauge	1,5 mm ²	16 AWG
Wire strip. length	Recomm. screwdriver	Weight
		5 g
		.18 oz
		IP 20
		NEMA 1

Type

Type	Part number
FEAD2 V0 th. 2,5 mm	1SNA 199 423 R1000
FEAD2 V0 th. 2,5 mm	1SNA 199 424 R1100
FEAD6 V0 th. 5,0 mm	1SNA 199 435 R1400
FEAD6 V0 th. 5,0 mm	1SNA 199 436 R1500
BJADO5.2 17,5 A 2 poles	1SNA 205 955 R0300
BJADO5.3 17,5 A 3 poles	1SNA 205 956 R0400
BJADO5.4 17,5 A 4 poles	1SNA 205 957 R0500
BJADO5.5 17,5 A 5 poles	1SNA 205 958 R1600
BJADO5.10 17,5 A 10 poles	1SNA 205 963 R0300
BJADO5.20 17,5 A 20 poles	1SNA 205 973 R0500
OUMAD	1SNA 179 466 R0600
OUPAD	1SNA 178 944 R0400
OUTAD	1SNA 205 710 R1100
OUTA	1SNA 205 284 R0300
EXAD2	1SNA 205 721 R0000
CEADO.5	1SNA 399 345 R1100
CEADOE	1SNA 399 341 R1500

Type

Type	Part number
FEAD2 V0 th. 2,5 mm	1SNA 199 423 R1000
FEAD2 V0 th. 2,5 mm	1SNA 199 424 R1100
FEAD6 V0 th. 5,0 mm	1SNA 199 435 R1400
FEAD6 V0 th. 5,0 mm	1SNA 199 436 R1500
BJADO6.2 17,5 A 2 poles	1SNA 205 974 R0600
BJADO6.3 17,5 A 3 poles	1SNA 205 975 R0700
BJADO6.4 17,5 A 4 poles	1SNA 205 976 R0000
BJADO6.5 17,5 A 5 poles	1SNA 205 977 R0100
BJADO6.10 17,5 A 10 poles	1SNA 205 982 R2700
BJADO6.20 17,5 A 20 poles	1SNA 205 992 R2100
OUMAD	1SNA 179 466 R0600
OUPAD	1SNA 178 944 R0400
OUTAD	1SNA 205 710 R1100
OUTA	1SNA 205 284 R0300
EXAD2	1SNA 205 721 R0000
CEADO.6	1SNA 399 346 R1200
CEADOE	1SNA 399 341 R1500

On top	RC55	On top	RC65
--------	------	--------	------

Miniblocks Insulation Displacement

ADO - ADO
ground terminal blocks not electrically connected to the mounting rail

DIN 3



Other accessories of this terminal blocks : see pages of same size standard blocks.
* Notches to identify 8 mm spacing.

DS 1/5.PI.ADO		DS 1,5/6.PI.ADO		DS 2,5/8.PI.ADO	
Spacing 5 mm +0,05 .198" ADO wire size 0,22 - 1 mm ² 24 - 18 AWG		Spacing 6 mm +0,05 .238" ADO wire size 0,34 - 1,5 mm ² 22 - 16 AWG		Spacing 8 mm +0,05 .315" ADO wire size 1 - 2,5 mm ² 16 - 14 AWG	
Type	P/N	Type	P/N	Type	P/N
Yellow body / green marking ■ DS 1/5.PI.ADO 1SNA 399 499 R0500		Yellow body / green marking ■ DS 1,5/6.PI.ADO 1SNA 299 500 R1600		Yellow body / green marking ■ DS 2,5/8.PI.ADO 1SNA 299 504 R0600	

Characteristics		NFC IEC DIN		UL/CSA		NFC IEC DIN		UL/CSA		NFC IEC DIN		UL/CSA			
Wire size	Rigid Flexible	0,2-1 mm ² 0,22-1 mm ²		24-18 AWG		0,28-1,5 mm ² 0,34-1,5 mm ²		22-16 AWG		1-2,5 mm ² 1-2,5 mm ²		16-14 AWG			
Rated current short-circuit		120 A / 1 s.				180 A / 1 s.				300 A / 1 s.					
Rated wire size nominal / gauge		1 mm ²		18 AWG		1,5 mm ²		16 AWG		2,5 mm ²		14 AWG			
Other characteristics		Wire strip. length	Recomm. screwdriver	Weight	Protection	Wire strip. length	Recomm. screwdriver	Weight	Protection	Wire strip. length	Recomm. screwdriver	Weight	Protection		
				3 g .11 oz	IP20 NEMA 1			5 g .18 oz	IP20 NEMA 1			7 g .25 oz	IP20 NEMA 1		
Approvals		cULus		UL		cULus		UL		cULus		UL			
Accessories	Type	P/N		Type		P/N		Type		P/N		Type		P/N	
1 End section	grey orange	FEAD2 V0 th. 2,5 mm	1SNA 199 423 R1000	FEAD2 V0 th. 2,5 mm	1SNA 199 423 R1000	FEAD2 V0 th. 2,5 mm	1SNA 199 423 R1000	FEAD2 V0 th. 2,5 mm	1SNA 199 423 R1000	FEAD2 V0 th. 2,5 mm	1SNA 199 423 R1000	FEAD2 V0 th. 2,5 mm	1SNA 199 423 R1000	FEAD2 V0 th. 2,5 mm	1SNA 199 424 R1100
R See section on markers	mode	RC55		RC65		RC65		RCAL85		RCAL85		RCAL85		RCAL85	

Miniblocks Insulation Displacement

ADO - ADO
ground terminal blocks not electrically connected to the mounting rail

DIN 3

Other accessories of this terminal blocks : see pages of same size standard blocks.
* Notches to identify 8 mm spacing.

DS 4/8.PI.ADO3					
Spacing 8 mm +0,05 .315" ADO wire size 4 mm ² / 12 AWG 1 wire only					
Type	P/N	Type	P/N	Type	P/N
Yellow body / green marking ■ DS 4/8.PI.ADO3 1SNA 399 414 R2700					

Characteristics		NFC IEC DIN		UL/CSA pending		IEC NFC DIN		UL		CSA		IEC NFC DIN		UL		CSA			
Wire size	Rigid Flexible	4 mm ² 4 mm ²		12 AWG															
Rated current short-circuit		480 A / 1 s.																	
Rated wire size nominal / gauge		4 mm ²		12 AWG															
Other characteristics		Wire strip. length	Recomm. screwdriver	Weight	Protection	Wire strip. length	Recomm. screwdriver	Weight	Protection	Wire strip. length	Recomm. screwdriver	Weight	Protection	Wire strip. length	Recomm. screwdriver	Weight	Protection		
				7 g .25 oz	IP20 NEMA 1														
Approvals		UL		UL		UL		UL		UL		UL		UL		UL			
Accessories	Type	P/N		Type		P/N		Type		P/N		Type		P/N		Type		P/N	
1 End section	grey orange	FEAD2 V0 th. 2,5 mm	1SNA 199 423 R1000	FEAD2 V0 th. 2,5 mm	1SNA 199 423 R1000	FEAD2 V0 th. 2,5 mm	1SNA 199 423 R1000	FEAD2 V0 th. 2,5 mm	1SNA 199 423 R1000	FEAD2 V0 th. 2,5 mm	1SNA 199 423 R1000	FEAD2 V0 th. 2,5 mm	1SNA 199 423 R1000	FEAD2 V0 th. 2,5 mm	1SNA 199 424 R1100	FEAD2 V0 th. 2,5 mm	1SNA 199 424 R1100	FEAD2 V0 th. 2,5 mm	1SNA 199 424 R1100
R See section on markers	mode	RCAL85		RCAL85		RCAL85		RCAL85		RCAL85		RCAL85		RCAL85		RCAL85		RCAL85	

**Miniblocks
Insulation Displacement
ADO - ADO**

ground terminal blocks
electrically connected to the
mounting rail

DIN 3

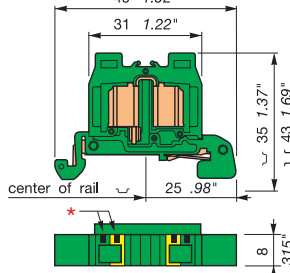


Other accessories of this terminal block:
see pages of same size standard blocks.

* Notches to identify 8mm spacing.

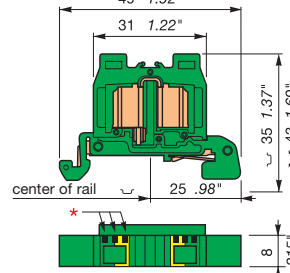
DS 2,5/8.P.ADO

Spacing 8 mm +0,05 .315"
ADO wire size
1 - 2,5 mm² / 16 - 14 AWG



DS 4/8.P.ADO3

Spacing 8 mm +0,05 .315"
ADO wire size
4 mm² / 12 AWG - 1 wire only



Type	P/N	Type	P/N	Type	P/N
Green body / yellow marking		Green body / yellow marking			
■ DS 2,5/8.P.ADO	1SNA 199 528 R2100	■ DS 4/8.P.ADO3	1SNA 399 443 R0400		

Characteristics		IEC		DIN		UL/CSA		IEC		DIN		UL/CSA		IEC		UL		CSA	
Wire size	Rigid Flexible	1-2,5 mm ²		16-14 AWG		4 mm ²		4 mm ²		12 AWG		12 AWG							
Rated current short-circuit		1-2,5 mm ²		16-14 AWG		480 A/1 s.		480 A/1 s.		12 AWG		12 AWG							
Rated wire size nominal / gauge		1-2,5 mm ²		16-14 AWG		4 mm ²		4 mm ²		12 AWG		12 AWG							
Other characteristics		Wire strip. length	Recomm. screwdriver	Weight	Protection	Wire strip. length	Recomm. screwdriver	Weight	Protection	Wire strip. length	Recomm. screwdriver	Weight	Protection	Wire strip. length	Recomm. screwdriver	Weight	Protection	Wire strip. length	Recomm. screwdriver
				10 g	IP20			10 g	IP20			10 g	IP20						
				.35 oz	NEMA 1			.35 oz	NEMA 1			.35 oz	NEMA 1						
Approvals		UL, CE, RoHS		UL, CE, RoHS		UL, CE, RoHS		UL, CE, RoHS		UL, CE, RoHS		UL, CE, RoHS		UL, CE, RoHS		UL, CE, RoHS		UL, CE, RoHS	
Accessories		Type		P/N		Type		P/N		Type		P/N		Type		P/N		Type	
1	End section grey orange	FEAD2 V0	th. 2,5 mm	1SNA 199 423 R1000		FEAD2 V0	th. 2,5 mm	1SNA 199 423 R1000		FEAD2 V0	th. 2,5 mm	1SNA 199 423 R1000		FEAD2 V0	th. 2,5 mm	1SNA 199 424 R1100		FEAD2 V0	th. 2,5 mm
R	See section on markers mode	On top	RCAL85			On top	RCAL85			On top	RCAL85			On top	RCAL85			On top	RCAL85

Characteristics		IEC		UL		CSA		IEC		UL		CSA		IEC		UL		CSA	
Wire size	Rigid Flexible																		
Rated current short-circuit																			
Rated wire size nominal / gauge																			
Other characteristics		Wire strip. length	Recomm. screwdriver	Weight	Protection	Wire strip. length	Recomm. screwdriver	Weight	Protection	Wire strip. length	Recomm. screwdriver	Weight	Protection	Wire strip. length	Recomm. screwdriver	Weight	Protection	Wire strip. length	Recomm. screwdriver
Approvals		UL, CE, RoHS		UL, CE, RoHS		UL, CE, RoHS		UL, CE, RoHS		UL, CE, RoHS		UL, CE, RoHS		UL, CE, RoHS		UL, CE, RoHS		UL, CE, RoHS	
Accessories		Type		P/N		Type		P/N		Type		P/N		Type		P/N		Type	

Miniblocks Insulation Displacement ADO - ADO



DIN 2



Ex refer to the section "Special Applications" for part numbers and characteristics.

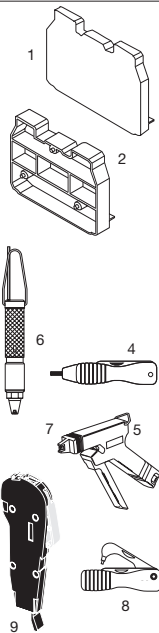
End stop	th. 6,5 mm	BADRL	V0	1SNA 199 420 R2100
Rail	15 x 5 x 1	PR2		1SNA 164 600 R1200

Other end stops, rails and accessories : see section on accessories.

Observations

Standard blocks 5 and 6 mm. For multiple wires connections, the two wires need to be of the **same gage and nature** (rigid or flexible). Terminal block body material is UL 94 V0.

Accessories

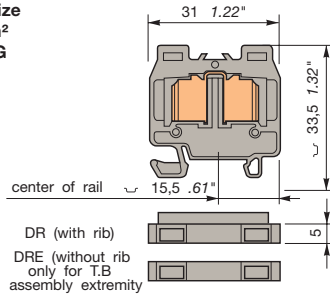


- End section grey/orange
- Separator grey/orange
- Screwless jumper bar to be inserted into ADO jaw orange IP20
- Hand tool kit
- Semi automatic kit
- Pneumatic tool kit
- Replacement head kit
- Extraction tool kit
- Test connector

R See section on markers marking method

DR 1/5.ADO

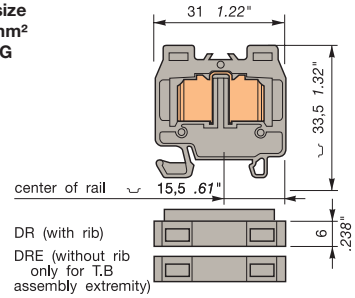
Spacing 5 mm +0,05 (.198")
ADO wire size
0,22 - 1 mm²
24 - 18 AWG



DR (with rib)
DRE (without rib only for T.B assembly extremity)

DR 1,5/6.ADO

Spacing 6 mm +0,05 (.238")
ADO wire size
0,34 - 1,5 mm²
22 - 16 AWG



DR (with rib)
DRE (without rib only for T.B assembly extremity)



Colour	Type	Part numbers
Grey	DR 1/5.ADO	1SNA 399 491 R2500
Blue	DR 1/5.N.ADO	1SNA 399 493 R2700
Orange	DR 1/5.ADO	1SNA 399 492 R2600
Grey	DRE 1/5.ADO	1SNA 399 495 R2100



Colour	Type	Part numbers
Grey	DR 1,5/6.ADO	1SNA 199 283 R2400
Blue	DR 1,5/6.N.ADO	1SNA 199 285 R2600
Orange	DR 1,5/6.ADO	1SNA 199 284 R2500
Grey	DRE 1,5/6.ADO	1SNA 299 554 R0700

Characteristics

Wire size	IEC		UL/CSA
	NFC	DIN	
Screw	Rigid		
	Flexible		
ADO	Rigid	0,2 - 1 mm ²	24-18 AWG
	Flexible	0,22 - 1 mm ²	24-18 AWG

Voltage		
Rated	1000 V	600 V
Impulse withstand	8 kV	
Pollution degree	3	

Current		
Rated	13,5 A	10 A

Wire size			
Rated / Gauge	1 mm ²	18 AWG	
Wire strip. length	Recomm. screwdriver	Weight	Protection
		3 g	IP 20
		.11 oz	NEMA 1

Characteristics

Wire size	IEC		UL/CSA
	NFC	DIN	
Screw	Rigid		
	Flexible		
ADO	Rigid	0,28 - 1,5 mm ²	22-16 AWG
	Flexible	0,34 - 1,5 mm ²	22-16 AWG

Voltage		
Rated	1000 V	600 V
Impulse withstand	8 kV	
Pollution degree	3	

Current		
Rated	17,5 A	20 A

Wire size			
Rated / Gauge	1,5 mm ²	16 AWG	
Wire strip. length	Recomm. screwdriver	Weight	Protection
		3 g	IP 20
		.11 oz	NEMA 1

Type	P/N			
FEAD2	V0	th. 2,5 mm	1SNA 199 423 R1000	
FEAD2	V0	th. 2,5 mm	1SNA 199 424 R1100	
FEAD6	V0	th. 5,0 mm	1SNA 199 435 R1400	
FEAD6	V0	th. 5,0 mm	1SNA 199 436 R1500	
BJADO5.2	17,5 A	2 poles	1SNA 205 955 R0300	
BJADO5.3	17,5 A	3 poles	1SNA 205 956 R0400	
BJADO5.4	17,5 A	4 poles	1SNA 205 957 R0500	
BJADO5.5	17,5 A	5 poles	1SNA 205 958 R1600	
BJADO5.10	17,5 A	10 poles	1SNA 205 963 R0300	
BJADO5.20	17,5 A	20 poles	1SNA 205 973 R0500	
OUMAD			1SNA 179 466 R0600	
OUPAD			1SNA 178 944 R0400	
OUTAD			1SNA 205 710 R1100	
OUTA			1SNA 205 284 R0300	
EXAD2			1SNA 205 721 R0000	
CEADO.5			1SNA 399 345 R1100	
CEADOE			1SNA 399 341 R1500	

Type	P/N			
FEAD2	V0	th. 2,5 mm	1SNA 199 423 R1000	
FEAD2	V0	th. 2,5 mm	1SNA 199 424 R1100	
FEAD6	V0	th. 5,0 mm	1SNA 199 435 R1400	
FEAD6	V0	th. 5,0 mm	1SNA 199 436 R1500	
BJADO6.2	17,5 A	2 poles	1SNA 205 974 R0600	
BJADO6.3	17,5 A	3 poles	1SNA 205 975 R0700	
BJADO6.4	17,5 A	4 poles	1SNA 205 976 R0000	
BJADO6.5	17,5 A	5 poles	1SNA 205 977 R0100	
BJADO6.10	17,5 A	10 poles	1SNA 205 982 R2700	
BJADO6.20	17,5 A	20 poles	1SNA 205 992 R2100	
OUMAD			1SNA 179 466 R0600	
OUPAD			1SNA 178 944 R0400	
OUTAD			1SNA 205 710 R1100	
OUTA			1SNA 205 284 R0300	
EXAD2			1SNA 205 721 R0000	
CEADO.6			1SNA 399 346 R1200	
CEADOE			1SNA 399 341 R1500	

On top RC55

On top RC 65

Miniblocks Insulation Displacement

ADO - ADO

ground terminal blocks not electrically connected to the mounting rail

DIN 2



refer to the section "Special Applications" for part numbers and characteristics.

Other accessories of this terminal blocks: see pages of same size standard blocks.
* Notches to identify 8 mm spacing.

		DR 1/5.PI.ADO				DR 1,5/6.PI.ADO				DR 2,5/8.PI.ADO			
		Spacing 5 mm + 0,05 .198" ADO wire size 0,22 - 1 mm ² 24 - 18 AWG				Spacing 6 mm + 0,05 .238" ADO wire size 0,34 - 1,5 mm ² 22 - 16 AWG				8 mm +0,05 .315" A.D.O. wire size 1 - 2,5 mm ² 16 - 14 AWG			
		center of rail ~ 15,5 .61"				center of rail ~ 15,5 .61"				center of rail ~ 15,5 .61"			
		5 .197"				6 .238"				8 .315"			
		Type Part number				Type Part number				Type Part number			
		Yellow body / Green marking				Yellow body / Green marking				Yellow body / Green marking			
		■ DR 1/5.PI.ADO 1SNA 399 494 R2000				■ DR 1,5/6.PI.ADO 1SNA 199 286 R2700				■ DR 2,5/8.PI.ADO 1SNA 199 290 R0700			
Characteristics		IEC		UL/CSA		IEC		UL/CSA		IEC		UL/CSA	
Wire size		NFC DIN		UL/CSA		NFC DIN		UL/CSA		NFC DIN		UL/CSA	
ADO Rigid Flexible		0,2-1 mm ² 0,22-1 mm ²		24-18 AWG 24-18 AWG		0,28-1,5 mm ² 0,34-1,5 mm ²		22-16 AWG 22-16 AWG		1-2,5 mm ² 1-2,5 mm ²		16-14 AWG 16-14 AWG	
Rated current short-circuit		120 A / 1s.				180 A / 1s.				300 A / 1s.			
Rated wire size nominal / gauge		1 mm ²		18 AWG		1,5 mm ²		16 AWG		2,5 mm ²		14 AWG	
Other characteristics		Wire strip. length		Recomm. screwdriver		Weight		Protection		Wire strip. length		Recomm. screwdriver	
						3 g .11 oz		IP 20 NEMA 1				7 g .25 oz	
Approvals		c				c				c			
Accessories		Type Part number		Type Part number		Type Part number		Type Part number		Type Part number		Type Part number	
1 End section grey orange		FEAD2 V0 th. 2,5 mm 1SNA 199 423 R1000 FEAD2 V0 th. 2,5 mm 1SNA 199 424 R1100		FEAD2 V0 th. 2,5 mm 1SNA 199 423 R1000 FEAD2 V0 th. 2,5 mm 1SNA 199 424 R1100		FEAD2 V0 th. 2,5 mm 1SNA 199 423 R1000 FEAD2 V0 th. 2,5 mm 1SNA 199 424 R1100		FEAD2 V0 th. 2,5 mm 1SNA 199 423 R1000 FEAD2 V0 th. 2,5 mm 1SNA 199 424 R1100		FEAD2 V0 th. 2,5 mm 1SNA 199 423 R1000 FEAD2 V0 th. 2,5 mm 1SNA 199 424 R1100		FEAD2 V0 th. 2,5 mm 1SNA 199 423 R1000 FEAD2 V0 th. 2,5 mm 1SNA 199 424 R1100	
R See section on markers mode		On top RC55		On top RC65		On top RC65		On top RC65		On top RCAL85		On top RCAL85	

Miniblocks Insulation Displacement

ADO - ADO

ground terminal blocks not electrically connected to the mounting rail

DIN 2



Other accessories of this terminal blocks: see pages of same size standard blocks.
* Notches to identify 8 mm spacing.

		DR 4/8.PI.ADO3															
		8 mm +0,05 .315" ADO wire size 4 mm ² / 12 AWG 1 wire only															
		center of rail ~ 15,5 .61"															
		8 .315"															
		Type Part number				Type Part number				Type Part number							
		Yellow body / Green marking															
		■ DR 4/8.PI.ADO3 1SNA 399 409 R1300															
Characteristics		IEC		UL/CSA		IEC		UL		CSA		IEC		UL		CSA	
Wire size		NFC DIN		UL/CSA		NFC DIN		UL		CSA		NFC DIN		UL		CSA	
ADO Rigid Flexible		4 mm ² 4 mm ²		12 AWG 12 AWG													
Rated current short-circuit		480 A / 1s.															
Rated wire size nominal / gauge		4 mm ²		12 AWG													
Other characteristics		Wire strip. length		Recomm. screwdriver		Weight		Protection		Wire strip. length		Recomm. screwdriver		Weight		Protection	
						7 g .25 oz		IP 20 NEMA 1									
Approvals		c															
Accessories		Type Part number		Type Part number		Type Part number		Type Part number		Type Part number		Type Part number		Type Part number		Type Part number	
1 End section grey orange		FEAD2 V0 th. 2,5 mm 1SNA 199 423 R1000 FEAD2 V0 th. 2,5 mm 1SNA 199 424 R1100		FEAD2 V0 th. 2,5 mm 1SNA 199 423 R1000 FEAD2 V0 th. 2,5 mm 1SNA 199 424 R1100													
R See section on markers mode		On top RCAL85															

C
2

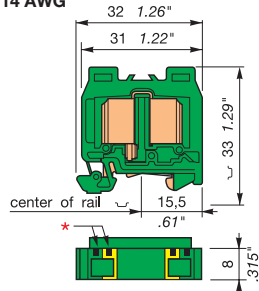
**Miniblocks
Insulation Displacement
ADO - ADO**
ground terminal blocks
electrically connected to the
mounting rail

DIN 2



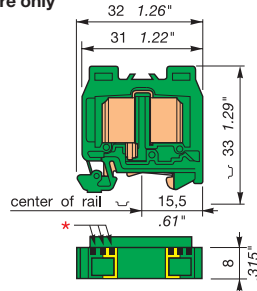
DR 2,5/8.P.ADO

Spacing 8 mm +0,05 .315"
ADO wire size
1 - 2,5 mm²
16 - 14 AWG



DR 4/8.P.ADO3

Spacing 8 mm +0,05 .315"
ADO wire size
4 mm² / 12 AWG
1 wire only



Type	Part number	Type	Part number	Type	Part number
Green body / Yellow marking		Green body / Yellow marking			
DR 2,5/8.P.ADO	1SNA 299 633 R0600	DR 4/8.P.ADO3	1SNA 399 442 R0300		

Characteristics	IEC		UL/CSA		IEC		UL/CSA		IEC		UL	CSA
	NFC	DIN	NFC	DIN	NFC	DIN	NFC	DIN	NFC	DIN		
Wire size	ADO Rigid Flexible		1-2,5 mm ² 16-14 AWG		4 mm ² 12 AWG		4 mm ² 12 AWG					
Rated current short-circuit	300 A / 1s.		14 AWG		480 A / 1s.		12 AWG					
Rated wire size nominal / gauge	2,5 mm ²		14 AWG		4 mm ²		12 AWG					
Other characteristics	Wire strip. length	Recomm. screwdriver	Weight	Protection	Wire strip. length	Recomm. screwdriver	Weight	Protection	Wire strip. length	Recomm. screwdriver	Weight	Protection
			10 g .35 oz	IP 20 NEMA 1			10 g .35 oz	IP 20 NEMA 1				
Approvals												
Accessories	Type	Part number	Type	Part number	Type	Part number	Type	Part number	Type	Part number	Type	Part number
	1 End section grey orange	FEAD2 V0 th. 2,5 mm 1SNA 199 423 R1000 FEAD2 V0 th. 2,5 mm 1SNA 199 424 R1100	FEAD2 V0 th. 2,5 mm 1SNA 199 423 R1000 FEAD2 V0 th. 2,5 mm 1SNA 199 424 R1100	FEAD2 V0 th. 2,5 mm 1SNA 199 423 R1000 FEAD2 V0 th. 2,5 mm 1SNA 199 424 R1100	FEAD2 V0 th. 2,5 mm 1SNA 199 423 R1000 FEAD2 V0 th. 2,5 mm 1SNA 199 424 R1100	FEAD2 V0 th. 2,5 mm 1SNA 199 423 R1000 FEAD2 V0 th. 2,5 mm 1SNA 199 424 R1100	FEAD2 V0 th. 2,5 mm 1SNA 199 423 R1000 FEAD2 V0 th. 2,5 mm 1SNA 199 424 R1100	FEAD2 V0 th. 2,5 mm 1SNA 199 423 R1000 FEAD2 V0 th. 2,5 mm 1SNA 199 424 R1100	FEAD2 V0 th. 2,5 mm 1SNA 199 423 R1000 FEAD2 V0 th. 2,5 mm 1SNA 199 424 R1100	FEAD2 V0 th. 2,5 mm 1SNA 199 423 R1000 FEAD2 V0 th. 2,5 mm 1SNA 199 424 R1100	FEAD2 V0 th. 2,5 mm 1SNA 199 423 R1000 FEAD2 V0 th. 2,5 mm 1SNA 199 424 R1100	FEAD2 V0 th. 2,5 mm 1SNA 199 423 R1000 FEAD2 V0 th. 2,5 mm 1SNA 199 424 R1100
R See section on markers mode	On top	RCAL85	On top	RCAL85	On top	RCAL85	On top	RCAL85	On top	RCAL85	On top	RCAL85

Characteristics	IEC		UL	CSA	IEC		UL	CSA	IEC		UL	CSA
	NFC	DIN			NFC	DIN			NFC	DIN		
Wire size	ADO Rigid Flexible											
Rated current short-circuit												
Rated wire size nominal / gauge												
Other characteristics	Wire strip. length	Recomm. screwdriver	Weight	Protection	Wire strip. length	Recomm. screwdriver	Weight	Protection	Wire strip. length	Recomm. screwdriver	Weight	Protection
Approvals												
Accessories	Type	Part number	Type	Part number	Type	Part number	Type	Part number	Type	Part number	Type	Part number

Miniblocks Insulation Displacement

ADO - ADO

ground terminal blocks not electrically connected to the mounting rail

DIN 2



refer to the section "Special Applications" for part numbers and characteristics.

Other accessories of this terminal blocks: see pages of same size standard blocks.
* Notches to identify 8 mm spacing.

		DR 1/5.PI.ADO				DR 1,5/6.PI.ADO				DR 2,5/8.PI.ADO			
		Spacing 5 mm + 0,05 .198" ADO wire size 0,22 - 1 mm ² 24 - 18 AWG				Spacing 6 mm + 0,05 .238" ADO wire size 0,34 - 1,5 mm ² 22 - 16 AWG				8 mm +0,05 .315" A.D.O. wire size 1 - 2,5 mm ² 16 - 14 AWG			
		Type		Part number		Type		Part number		Type		Part number	
		Yellow body / Green marking		1SNA 399 494 R2000		Yellow body / Green marking		1SNA 199 286 R2700		Yellow body / Green marking		1SNA 199 290 R0700	
		NFC		DIN		NFC		DIN		NFC		DIN	
Wire size		0,2-1 mm ²		24-18 AWG		0,28-1,5 mm ²		22-16 AWG		1-2,5 mm ²		16-14 AWG	
Rated current short-circuit		120 A / 1s.				180 A / 1s.				300 A / 1s.			
Rated wire size nominal / gauge		1 mm ²		18 AWG		1,5 mm ²		16 AWG		2,5 mm ²		14 AWG	
Other characteristics		Wire strip. length	Recomm. screwdriver	Weight	Protection	Wire strip. length	Recomm. screwdriver	Weight	Protection	Wire strip. length	Recomm. screwdriver	Weight	Protection
				3 g	IP 20			5 g	IP 20			7 g	IP 20
				.11 oz	NEMA 1			.18 oz	NEMA 1			.25 oz	NEMA 1
Approvals		cRU US		GL CE		cRU US		GL CE		cRU US		GL CE	
Accessories		Type		Part number		Type		Part number		Type		Part number	
1 End section		FEAD2 V0	th. 2,5 mm	1SNA 199 423 R1000	FEAD2 V0	th. 2,5 mm	1SNA 199 423 R1000	FEAD2 V0	th. 2,5 mm	1SNA 199 423 R1000	FEAD2 V0	th. 2,5 mm	1SNA 199 423 R1000
		FEAD2 V0	th. 2,5 mm	1SNA 199 424 R1100	FEAD2 V0	th. 2,5 mm	1SNA 199 424 R1100	FEAD2 V0	th. 2,5 mm	1SNA 199 424 R1100	FEAD2 V0	th. 2,5 mm	1SNA 199 424 R1100
R See section on markers mode		On top		RC55	On top		RC65	On top		RCAL85	On top		RCAL85

Miniblocks Insulation Displacement

ADO - ADO

ground terminal blocks not electrically connected to the mounting rail

DIN 2



Other accessories of this terminal blocks: see pages of same size standard blocks.
* Notches to identify 8 mm spacing.

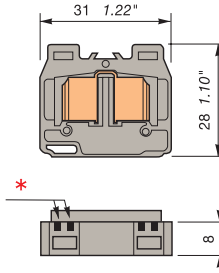
		DR 4/8.PI.ADO3											
		8 mm +0,05 .315" ADO wire size 4 mm ² / 12 AWG 1 wire only											
		Type		Part number		Type		Part number		Type		Part number	
		Yellow body / Green marking		1SNA 399 409 R1300									
		NFC		DIN		NFC		DIN		NFC		DIN	
Wire size		4 mm ²		12 AWG									
Rated current short-circuit		480 A / 1s.											
Rated wire size nominal / gauge		4 mm ²		12 AWG									
Other characteristics		Wire strip. length	Recomm. screwdriver	Weight	Protection	Wire strip. length	Recomm. screwdriver	Weight	Protection	Wire strip. length	Recomm. screwdriver	Weight	Protection
				7 g	IP 20								
				.25 oz	NEMA 1								
Approvals		cRU US		CE									
Accessories		Type		Part number		Type		Part number		Type		Part number	
1 End section		FEAD2 V0	th. 2,5 mm	1SNA 199 423 R1000	FEAD2 V0	th. 2,5 mm	1SNA 199 423 R1000	FEAD2 V0	th. 2,5 mm	1SNA 199 423 R1000	FEAD2 V0	th. 2,5 mm	1SNA 199 423 R1000
		FEAD2 V0	th. 2,5 mm	1SNA 199 424 R1100	FEAD2 V0	th. 2,5 mm	1SNA 199 424 R1100	FEAD2 V0	th. 2,5 mm	1SNA 199 424 R1100	FEAD2 V0	th. 2,5 mm	1SNA 199 424 R1100
R See section on markers mode		On top		RCAL85	On top		RCAL85	On top		RCAL85	On top		RCAL85

**Miniblocks
Insulation
Displacement
ADO - ADO
Base mount with flanges**



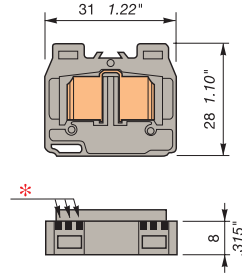
DB 2,5/8.ADO

Spacing 8 mm +0,05 .315"
ADO wire size
1 - 2,5 mm²
16 - 14 AWG



DB 4/8.ADO3

Spacing 8 mm +0,05 .315"
ADO wire size
4 mm²
12 AWG



Colour	Type	Part numbers
Grey <input type="checkbox"/>	DB 2,5/8.ADO	1SNA 299 517 R2200
Blue <input type="checkbox"/>	DB 2,5/8.N.ADO	1SNA 299 519 R0400
Orange <input type="checkbox"/>	DB 2,5/8.ADO	1SNA 299 518 R0300

Colour	Type	Part numbers
Grey <input type="checkbox"/>	DB 4/8.ADO3	1SNA 399 416 R2100
Blue <input type="checkbox"/>	DB 4/8.N.ADO3	1SNA 399 418 R0300
Orange <input type="checkbox"/>	DB 4/8.ADO3	1SNA 399 417 R2200

Characteristics

Wire size	IEC		UL/CSA
	NFC	DIN	
Screw	Rigid		
	Flexible		
ADO	Rigid	1-2,5 mm ²	16-14 AWG
	Flexible	1-2,5 mm ²	16-14 AWG

Characteristics

Wire size	IEC		UL/CSA
	NFC	DIN	
Screw	Rigid		
	Flexible		
ADO	Rigid	4 mm ²	12 AWG
	Flexible	4 mm ²	12 AWG

For drilling patterns see page: assembly and accessories

Observations

Terminal block body material is UL 94 V0.

DB 2,5/8.ADO block : for multiple wire connections, the two wires need to be of the **same gage and nature** (rigid or flexible).

DB 4/8.ADO3 block : connection of only one rigid or flexible 4 mm² wire.

* Notches to identify 8 mm spacing.

Voltage			
Rated		800 V	600 V
Impulse withstand		8 kV	
Pollution degree		3	

Current			
Rated		24 A	25 A

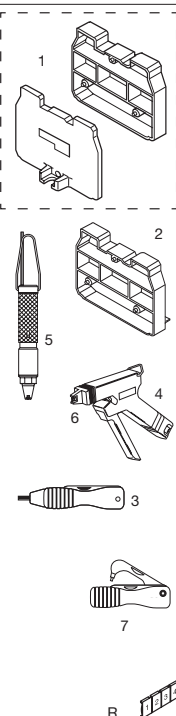
Wire size			
Rated / Gauge		2,5 mm ²	14 AWG
Wire strip. length	Recomm. screwdriver		Weight
			Protection
		7 g	IP 20
		.25 oz	NEMA 1

Voltage			
Rated		1000 V	
Impulse withstand			
Pollution degree		3	

Current			
Rated		32 A	

Wire size			
Rated / Gauge		4 mm ²	12 AWG
Wire strip. length	Recomm. screwdriver		Weight
			Protection
		7 g	IP 20
		.25 oz	NEMA 1

Accessories



1	End section (left+ right)	grey					
		orange					
2	Separator	grey					
		orange					
3	Hand tool kit						
4	Semi automatic tool						
5	Pneumatic tool kit						
6	Replacement head kit						
7	Extraction tool kit						

Type	P/N						
FEAD4	V0						1SNA 199 439 R2000
FEAD4	V0						1SNA 199 440 R0500
FEAD6	V0	th. 5,0 mm					1SNA 199 435 R1400
FEAD6	V0	th. 5,0 mm					1SNA 199 436 R1500
OUMAD							1SNA 179 466 R0600
OUPAD							1SNA 178 944 R0400
OUTAD							1SNA 205 710 R1100
OUTA							1SNA 205 284 R0300
EXAD2							1SNA 205 721 R0000

Type	P/N						
FEAD4	V0						1SNA 199 439 R2000
FEAD4	V0						1SNA 199 440 R0500
FEAD6	V0	th. 5,0 mm					1SNA 199 435 R1400
FEAD6	V0	th. 5,0 mm					1SNA 199 436 R1500
OUMAD							1SNA 179 466 R0600
OUPAD							1SNA 178 944 R0400
OUTAD							1SNA 205 710 R1100
OUTA							1SNA 205 284 R0300
EXAD2							1SNA 205 721 R0000

Miniblocks Insulation Displacement

ADO - ADO

ground terminal blocks not electrically connected to the mounting plate

Base mount with flanges in mounting foot



Other accessories of this terminal blocks: see pages of same size standard blocks.
* Notches to identify 8 mm spacing.

DB 1/5.PI.ADO		DB 1,5/6.PI.ADO		DB 2,5/8.PI.ADO	
Spacing 5 mm +0,05 (.198") ADO wire size 0,22 - 1 mm ² 24 - 18 AWG		Spacing 6 mm +0,05 (.238") ADO wire size 0,34 - 1,5 mm ² 22 - 16 AWG		Spacing 8 mm +0,05 (.315") ADO wire size 1 - 2,5 mm ² 16 - 14 AWG	
Type	Part number	Type	Part number	Type	Part number
Yellow body / Green marking		Yellow body / Green marking		Yellow body / Green marking	
	DB 1/5.PI.ADO 1SNA 399 504 R0200		DB 1,5/6.PI.ADO 1SNA 299 516 R2100		DB 2,5/8.PI.ADO 1SNA 299 520 R0100

Characteristics		IEC		DIN		UL/CSA		IEC		DIN		UL/CSA	
Wire size	ADO Rigid Flexible	0,2-1 mm ²		0,22-1 mm ²		24-18 AWG		0,28-1,5 mm ²		0,34-1,5 mm ²		22-16 AWG	
Rated current short-circuit		120 A / 1 s.						180 A / 1 s.					
Rated wire size nominal / gauge		1 mm ²				18 AWG		1,5 mm ²				16 AWG	
Other characteristics		Wire strip. length	Recomm. screwdriver	Weight	Protection	Wire strip. length	Recomm. screwdriver	Weight	Protection	Wire strip. length	Recomm. screwdriver	Weight	Protection
				3 g	IP 20			5 g	IP 20			7 g	IP 20
				.11 oz	NEMA 1			.18 oz	NEMA 1			.25 oz	NEMA 1
Approvals													
Accessories		Type	Part number	Type	Part number	Type	Part number	Type	Part number	Type	Part number	Type	Part number
1	End section kit with flanges (left + right) orange	grey	FEAD4 V0 1SNA 199 439 R2000 FEAD4 V0 1SNA 199 440 R0500	grey	FEAD4 V0 1SNA 199 439 R2000 FEAD4 V0 1SNA 199 440 R0500	grey	FEAD4 V0 1SNA 199 439 R2000 FEAD4 V0 1SNA 199 440 R0500	grey	FEAD4 V0 1SNA 199 439 R2000 FEAD4 V0 1SNA 199 440 R0500	grey	FEAD4 V0 1SNA 199 439 R2000 FEAD4 V0 1SNA 199 440 R0500	grey	FEAD4 V0 1SNA 199 439 R2000 FEAD4 V0 1SNA 199 440 R0500
R	See section on markers	mode	RC55	mode	RC65	mode	RCAL85	mode	RCAL85	mode	RCAL85	mode	RCAL85

Miniblocks Insulation Displacement

ADO - ADO

ground terminal blocks not electrically connected to the mounting plate

Base mount with flanges in mounting foot



Other accessories of this terminal blocks: see pages of same size standard blocks.
* Notches to identify 8 mm spacing.

DB 4/8.PI.ADO3					
Spacing 8 mm +0,05 (.315") ADO wire size 4 mm ² / 12 AWG 1 wire only					
Type	Part number	Type	Part number	Type	Part number
Yellow body / Green marking					
	DB 4/8.PI.ADO3 1SNA 399 419 R0400				

Characteristics		IEC		DIN		UL/CSA		IEC		DIN		UL		CSA	
Wire size	ADO Rigid Flexible	4 mm ²		4 mm ²		12 AWG									
Rated current short-circuit		480 A / 1 s.				12 AWG									
Rated wire size nominal / gauge		4 mm ²													
Other characteristics		Wire strip. length	Recomm. screwdriver	Weight	Protection	Wire strip. length	Recomm. screwdriver	Weight	Protection	Wire strip. length	Recomm. screwdriver	Weight	Protection		
				7 g	IP 20										
				.25 oz	NEMA 1										
Approvals															
Accessories		Type	Part number	Type	Part number	Type	Part number	Type	Part number	Type	Part number	Type	Part number		
1	End section kit with flanges (left + right) orange	grey	FEAD4 V0 1SNA 199 439 R2000 FEAD4 V0 1SNA 199 440 R0500	grey	FEAD4 V0 1SNA 199 439 R2000 FEAD4 V0 1SNA 199 440 R0500	grey	FEAD4 V0 1SNA 199 439 R2000 FEAD4 V0 1SNA 199 440 R0500	grey	FEAD4 V0 1SNA 199 439 R2000 FEAD4 V0 1SNA 199 440 R0500	grey	FEAD4 V0 1SNA 199 439 R2000 FEAD4 V0 1SNA 199 440 R0500	grey	FEAD4 V0 1SNA 199 439 R2000 FEAD4 V0 1SNA 199 440 R0500		
R	See section on markers	mode	RCAL85	mode	RCAL85	mode	RCAL85	mode	RCAL85	mode	RCAL85	mode	RCAL85		



Miniblocks Insulation Displacement



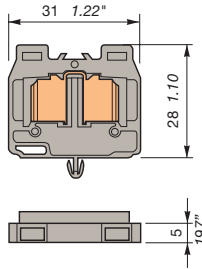
ADO - ADO

Base mount with snap in mounting foot



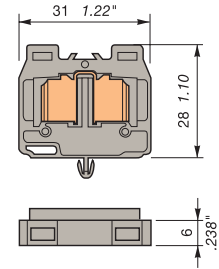
DH 1/5.ADO

Spacing 5 mm +0,05 (.198")
ADO wire size
0,22 - 1 mm²
24 - 18 AWG



DH 1,5/6.ADO

Spacing 6 mm +0,05 (.238")
ADO wire size
0,34 - 1,5 mm²
22 - 16 AWG



Colour	Type	Part numbers
Grey <input type="checkbox"/>	DH 1/5.ADO	
Blue <input type="checkbox"/>	DH 1/5.N.ADO	
Orange <input type="checkbox"/>	DH 1/5.ADO	

Colour	Type	Part numbers
Grey <input type="checkbox"/>	DH 1,5/6.ADO	
Blue <input type="checkbox"/>	DH 1,5/6.N.ADO	
Orange <input type="checkbox"/>	DH 1,5/6.ADO	

Characteristics

Wire size	IEC		UL/CSA
	NFC	DIN	
Screw	Rigid		
	Flexible		
ADO	Rigid	0,2-1 mm ²	24-18 AWG
	Flexible	0,22-1 mm ²	24-18 AWG

Characteristics

Wire size	IEC		UL/CSA
	NFC	DIN	
Screw	Rigid		
	Flexible		
ADO	Rigid	0,28-1,5 mm ²	22-16 AWG
	Flexible	0,34-1,5 mm ²	22-16 AWG

For drilling patterns see page: assembly and accessories

Observations

Standard blocks 5 and 6 mm. For multiple wires connections, the two wires need to be of the same gage and nature (rigid or flexible). Terminal block body material is UL 94 V0.

Voltage		1000 V	600 V
Rated			
Impulse withstand	8 kV		
Pollution degree	3		

Voltage		1000 V	600 V
Rated			
Impulse withstand	8 kV		
Pollution degree	3		

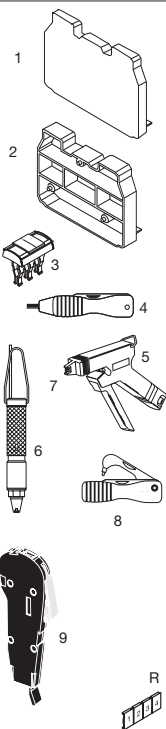
Current		13,5 A	10 A
Rated			

Current		17,5 A	20 A
Rated			

Wire size		1 mm ²	18 AWG
Rated / Gauge			
Wire strip. length	Recomm. screwdriver		
	Weight	3 g	
		.11 oz	
			IP 20
			NEMA 1

Wire size		1,5 mm ²	16 AWG
Rated / Gauge			
Wire strip. length	Recomm. screwdriver		
	Weight	5 g	
		.18 oz	
			IP 20
			NEMA 1

Accessories



- 1 End section gris
- orange
- 2 Separator gris
- orange
- 3 Screwless jumper bar to be inserted into ADO jaw orange IP20
- 4 Hand tool kit
- 5 Semi automatic tool
- 6 Pneumatic tool kit
- 7 Replacement head kit
- 8 Extraction tool kit
- 9 Test connector

Type			P/N
FEAD2	V0	th. 2,5 mm	
FEAD2	V0	th. 2,5 mm	
FEAD6	V0	th. 5,0 mm	
FEAD6	V0	th. 5,0 mm	
BJADO5.2	17,5 A	2 poles	
BJADO5.3	17,5 A	3 poles	
BJADO5.4	17,5 A	4 poles	
BJADO5.5	17,5 A	5 poles	
BJADO5.10	17,5 A	10 poles	
BJADO5.20	17,5 A	20 poles	
OUMAD			
OUPAD			
OUTAD			
OUTA			
EXAD2			
CEADO.5			
CEADOE			

Type			P/N
FEAD2	V0	th. 2,5 mm	
FEAD2	V0	th. 2,5 mm	
FEAD6	V0	th. 5,0 mm	
FEAD6	V0	th. 5,0 mm	
BJADO6.2	17,5 A	2 poles	
BJADO6.3	17,5 A	3 poles	
BJADO6.4	17,5 A	4 poles	
BJADO6.5	17,5 A	5 poles	
BJADO6.10	17,5 A	10 poles	
BJADO6.20	17,5 A	20 poles	
OUMAD			
OUPAD			
OUTAD			
OUTA			
EXAD2			
CEADO.6			
CEADOE			

R See section on markers marking method

On top RC55

On top RC65

Miniblocks Insulation Displacement



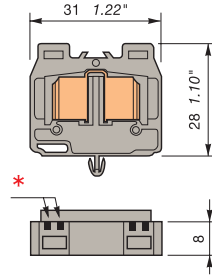
ADO - ADO

Base mount with snap in mounting foot



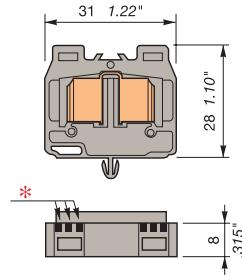
DH 2,5/8.ADO

Spacing 8 mm +0,05 (.315")
ADO wire size
1 - 2,5 mm²
16 - 14 AWG



DH 4/8.ADO3

Spacing 8 mm +0,05 .315"
ADO wire size
4 mm²
12 AWG



Colour	Type	Part numbers
Grey	DH 2,5/8.ADO	1SNA 299 533 R2200
Blue	DH 2,5/8.N.ADO	1SNA 299 535 R2400
Orange	DH 2,5/8.ADO	1SNA 299 534 R2300

Colour	Type	Part numbers
Grey	DH 4/8.ADO3	1SNA 399 420 R0100
Blue	DH 4/8.N.ADO3	1SNA 399 422 R2700
Orange	DH 4/8.ADO3	1SNA 399 421 R2600

Characteristics

Wire size	IEC		UL/CSA
	NFC	DIN	
Screw	Rigid		
	Flexible		
ADO	Rigid	1-2,5 mm ²	16-14 AWG
	Flexible	1-2,5 mm ²	16-14 AWG

Characteristics

Wire size	IEC		UL/CSA
	NFC	DIN	
Screw	Rigid		
	Flexible		
ADO	Rigid	4 mm ²	12 AWG
	Flexible	4 mm ²	12 AWG

For drilling patterns see page: assembly and accessories

Observations

Terminal block body material is UL 94 V0.

DH 2,5/8.ADO block : for multiple wire connections, the two wires need to be of the same gage and nature (rigid or flexible).

DH 4/8.ADO3 block : connection of only one rigid or flexible 4 mm² wire.

* Notches to identify 8 mm spacing.

Voltage		
Rated	800 V	600 V
Impulse withstand	8 kV	
Pollution degree	3	

Voltage		
Rated	1000 V	
Impulse withstand		
Pollution degree	3	

Current		
Rated	24 A	25 A

Current		
Rated	32 A	

Wire size			
Rated / Gauge	2,5 mm ²		14 AWG
Wire strip. length	Recomm. screwdriver	Weight	Protection
			7 g .25 oz

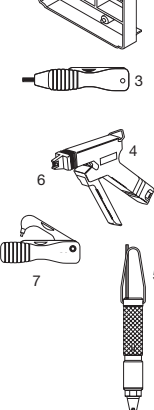
Wire size			
Rated / Gauge	4 mm ²		12 AWG
Wire strip. length	Recomm. screwdriver	Weight	Protection
			7 g .25 oz

Accessories

- 1 End section
- 2 Separator
- 3 Hand tool kit
- 4 Semi automatic tool
- 5 Pneumatic tool kit
- 6 Replacement head kit
- 7 Extraction tool kit

Type	P/N		
FEAD2 V0	th. 2,5 mm	1SNA 199 423 R1000	
FEAD2 V0	th. 2,5 mm	1SNA 199 424 R1100	
FEAD6 V0	th. 5,0 mm	1SNA 199 435 R1400	
FEAD6 V0	th. 5,0 mm	1SNA 199 436 R1500	
OUMAD		1SNA 179 466 R0600	
OUPAD		1SNA 178 944 R0400	
OUTAD		1SNA 205 710 R1100	
OUTA		1SNA 205 284 R0300	
EXAD2		1SNA 205 721 R0000	

Type	P/N		
FEAD2 V0	th. 2,5 mm	1SNA 199 423 R1000	
FEAD2 V0	th. 2,5 mm	1SNA 199 424 R1100	
FEAD6 V0	th. 5,0 mm	1SNA 199 435 R1400	
FEAD6 V0	th. 5,0 mm	1SNA 199 436 R1500	
OUMAD		1SNA 179 466 R0600	
OUPAD		1SNA 178 944 R0400	
OUTAD		1SNA 205 710 R1100	
OUTA		1SNA 205 284 R0300	
EXAD2		1SNA 205 721 R0000	



R See section on markers marking method

On top RCAL85

On top RCAL85

Miniblocks Insulation Displacement

ADO - ADO
ground terminal blocks not
electrically connected to the
mounting plate
Base mount with snap in
mounting foot



Other accessories of this terminal blocks:
see pages of same size standard blocks.
* Notches to identify 8 mm spacing.

		DH 1/5.PI.ADO				DH 1,5/6.PI.ADO				DH 2,5/8.PI.ADO			
		Spacing 5 mm +0,05 .198" ADO wire size 0,22 - 1 mm ² 24 - 18 AWG				Spacing 6 mm +0,05 .238" ADO wire size 0,34 - 1,5 mm ² 22 - 16 AWG				Spacing 8 mm +0,05 .315" ADO wire size 1 - 2,5 mm ² 16 - 14 AWG			
		Type		Part number		Type		Part number		Type		Part number	
		Yellow body / Green marking		1SNA 399 508 R1600		Yellow body / Green marking		1SNA 299 532 R2100		Yellow body / Green marking		1SNA 299 536 R2500	
		■ DH 1/5.PI.ADO				■ DH 1,5/6.PI.ADO				■ DH 2,5/8.PI.ADO			
Characteristics		IEC		UL/CSA		IEC		UL/CSA		IEC		UL/CSA	
Wire size	ADO Rigid	NFC	DIN	UL/CSA		NFC	DIN	UL/CSA		NFC	DIN	UL/CSA	
	ADO Flexible	0,2-1 mm ²		24-18 AWG		0,28-1,5 mm ²		22-16 AWG		1-2,5 mm ²		16-14 AWG	
Rated current short-circuit		120 A / 1 s.				180 A / 1 s.				300 A / 1 s.			
Rated wire size nominal / gauge		1 mm ²		18 AWG		1,5 mm ²		16 AWG		2,5 mm ²		14 AWG	
Other characteristics		Wire strip. length	Recomm. screwdriver	Weight	Protection	Wire strip. length	Recomm. screwdriver	Weight	Protection	Wire strip. length	Recomm. screwdriver	Weight	Protection
				3 g	IP 20			5 g	IP 20			7 g	IP 20
				.11 oz	NEMA 1			.18 oz	NEMA 1			.25 oz	NEMA 1
Approvals		cULus		UL		cULus		UL		cULus		UL	
Accessories		Type		Part number		Type		Part number		Type		Part number	
1	End section	FEAD2	V0	th. 2,5 mm	1SNA 199 423 R1000	FEAD2	V0	th. 2,5 mm	1SNA 199 423 R1000	FEAD2	V0	th. 2,5 mm	1SNA 199 423 R1000
		FEAD2	V0	th. 2,5 mm	1SNA 199 424 R1100	FEAD2	V0	th. 2,5 mm	1SNA 199 424 R1100	FEAD2	V0	th. 2,5 mm	1SNA 199 424 R1100
R	See section on markers			mode	RC55			mode	RC65			mode	RCAL85

Miniblocks Insulation Displacement

ADO - ADO
ground terminal blocks not
electrically connected to the
mounting plate
Base mount with snap in
mounting foot

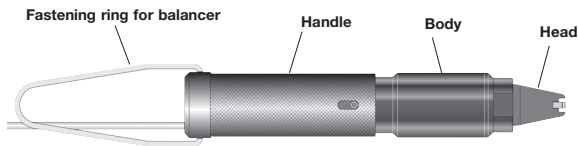


Other accessories of this terminal blocks:
see pages of same size standard blocks.
* Notches to identify 8 mm spacing.

		DH 4/8.PI.ADO3											
		Spacing 8 mm +0,05 .315" ADO wire size 4 mm ² / 12 AWG 1 wire only											
		Type		Part number		Type		Part number		Type		Part number	
		Yellow body / Green marking		1SNA 399 423 R2000									
		■ DH 4/8.PI.ADO3											
Characteristics		IEC		UL/CSA		IEC		UL		CSA		IEC	
Wire size	ADO Rigid	NFC	DIN	UL/CSA pending		NFC	DIN	UL		CSA		NFC	DIN
	ADO Flexible	4 mm ²		12 AWG									
Rated current short-circuit		480 A / 1 s.		12 AWG									
Rated wire size nominal / gauge		4 mm ²											
Other characteristics		Wire strip. length	Recomm. screwdriver	Weight	Protection	Wire strip. length	Recomm. screwdriver	Weight	Protection	Wire strip. length	Recomm. screwdriver	Weight	Protection
				7 g	IP 20								
				.25 oz	NEMA 1								
Approvals		cULus		UL									
Accessories		Type		Part number		Type		Part number		Type		Part number	
1	End section	FEAD2	V0	th. 2,5 mm	1SNA 199 423 R1000								
		FEAD2	V0	th. 2,5 mm	1SNA 199 424 R1100								
R	See section on markers			mode	RCAL85								

TOOLS PRESENTATION

PNEUMATIC TOOL KIT



OUTAD 1SNA 205 710 R1100

This kit includes extraction tool EXAD2.

Extraction ferrule

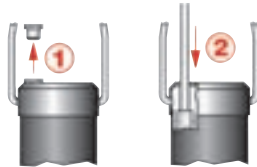


EXAD2 1SNA 205 721 R0000

Pneumatic tool installation

Technical information

- Energy : lubricated compressed air.
- Air pressure : 6 ± 0.5 bars.
- Lubrication BY F.R.L. (Filter, Regulator, Lubricator) (1 oil drop every 20 operations)
- Compressed-air supply : standard pipe DIA. 4 mm.
- Connection of the pipe to the tool by quick release coupling (integrated into the tool).
- Min. nb of operations : 1 000 000
- Dimensions : Lg : 215 mm x DIA. 37 mm.
- Weight : 575 g.



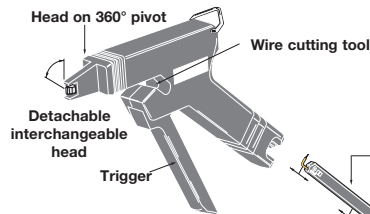
- 1 Remove the protective plug from the compressed air inlet.
- 2 Insert the clean cut pipe without special preparation into the dedicated hole and push in fully.
- 3 Hang the toll on a balancer.

Quick release coupling in accordance with your installation (not provided).



For more information, contact your entrelec local agent.
Warranty of the tool : 1 year in standard use (except disassembling of the tool's body by customer).

SEMI-AUTOMATIC TOOL

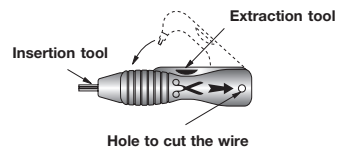


OUPAD 1SNA 178 944 R0400

Wire extractor EXAD 1SNA 178 646 R1100

Min. nb of operations : 100 000

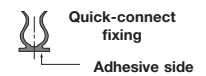
SIMPLIFIED TOOL



OUMAD 1SNA 179 466 R0600

Min. nb of operations : 500

Delivered with simplified tool :



INSTRUCTION FOR USE

Allows connection of two wires of the same gage and type (rigid or flexible) one by one.

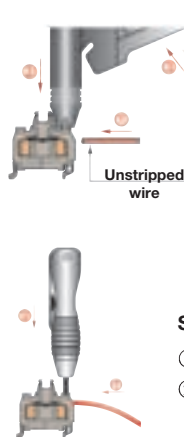
A - Connection of the first wire

Pneumatic tool :

- 1 Introduce the wire.
- 2 Apply the tool head to the upper opening without forcing its self-alignment device (the tool must be at right angle with the block).
- 3 Operate the handle directly in line with the tool to release a connect cycle.



Safety :
This tool must be operated only when positioned on the terminal block.



Semi-automatic tool :

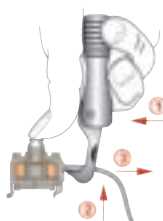
- 1 Introduce the wire.
- 2 Apply the tool head to the upper opening without forcing its self-alignment device (the tool must be at right angle with the block).
- 3 Press the trigger all the way.
- 4 Release the trigger to disengage the tool.

Simplified tool :

- 1 Introduce the wire.
- 2 Place the tool into the upper opening, push the wire home.

B - Connection of the second wire : same as for the first wire.

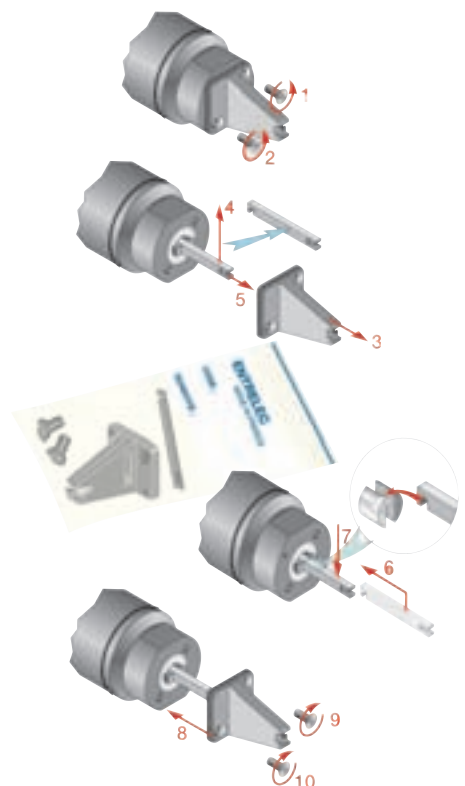
C - Extraction of wires



- 1 Place the hook of the extractor under the wire into the slot of the terminal block.
- 2 Slide the wires outside while securing firmly the block.
- 3 Remove the first wire. Repeat operations 1 2 3 above for a second wire.

NOTE : Wire must be cut clean before reconnecting it to the terminal block.

REPLACEMENT OF THE HEAD



Replacement head kit

OUTA 1SNA 205 284 R0300



Terminal blocks

D - Power terminal blocks

Summary

1. Terminal blocks DIN 3 with bistable foot and base mounting

Terminal blocks with 2 studs	298
Terminal blocks with 1 stud and 1 wire clamp	301

2. Power terminal blocks type I

Terminal blocks with 1 stud	304
Terminal blocks with 2 studs	305
Terminal blocks with 1 stud and 1 wire clamp	307

3. Power terminal blocks type II

Terminal blocks with 1 stud and 2 screws for lug	310
--	-----

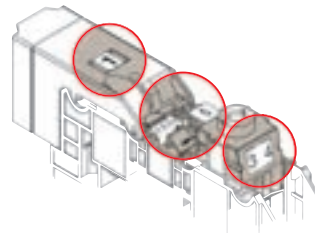


POWER TERMINAL BLOCKS

TECHNICAL SPECIFICATIONS

Marking

Many marking possibilities :
RC, RPC and wire marker



Covers

- Enhanced covers resistance triple hook system
- Cover can be cut to reduce space or for flexible bar connection



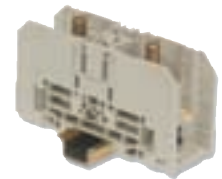
Versions

- AF version (Screw clamp / Stud)
easy connection to the field

- FF version (2 Studs with cover)

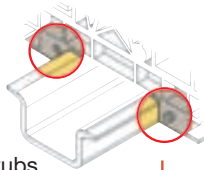


- FF version (2 Studs without cover)

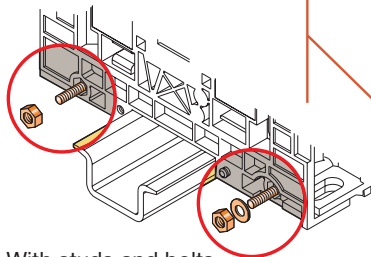


Locking

Assembly solutions



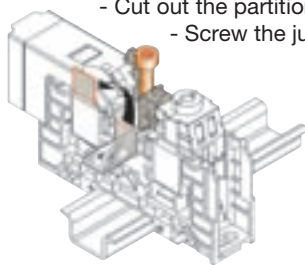
With studs



With studs and bolts

Jumper bar

- Pivoting marker holder, Jumpers remain IP20
- Move the marker holders up
- Cut out the partition
- Screw the jumper bar



Locking foot

Can be opened from the center or the sides

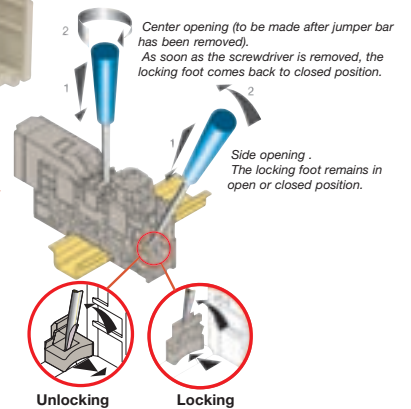
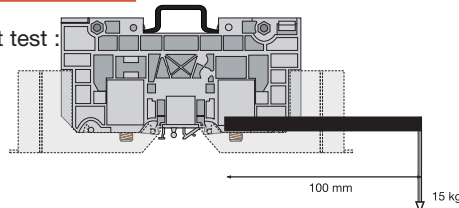


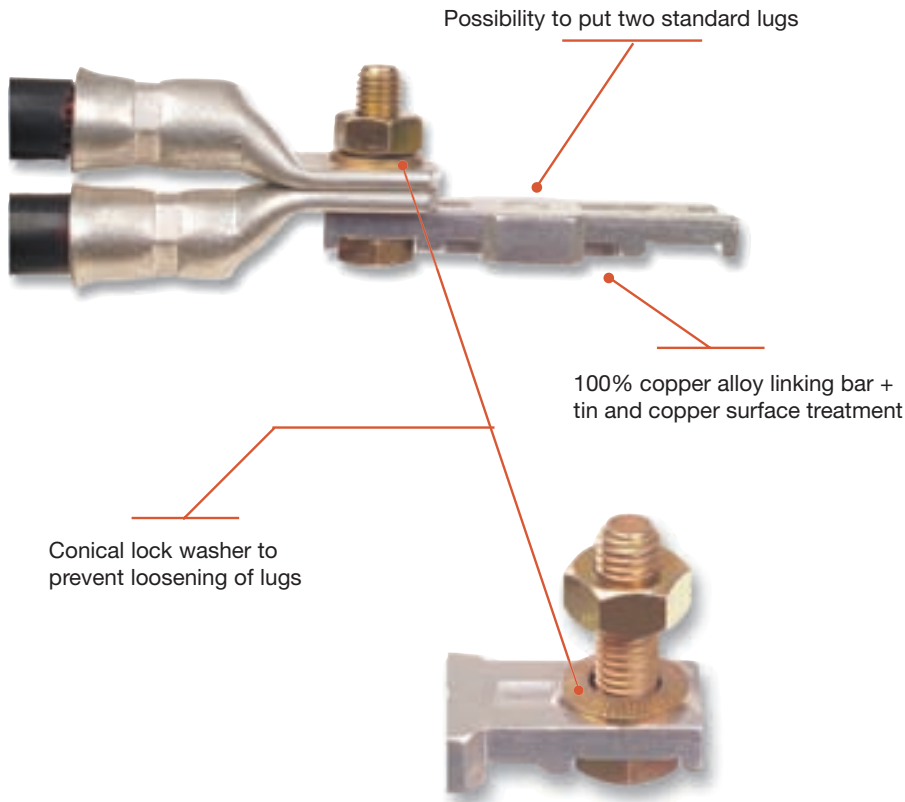
Plate mounting housing

Rail mounting foot test :
High resistance

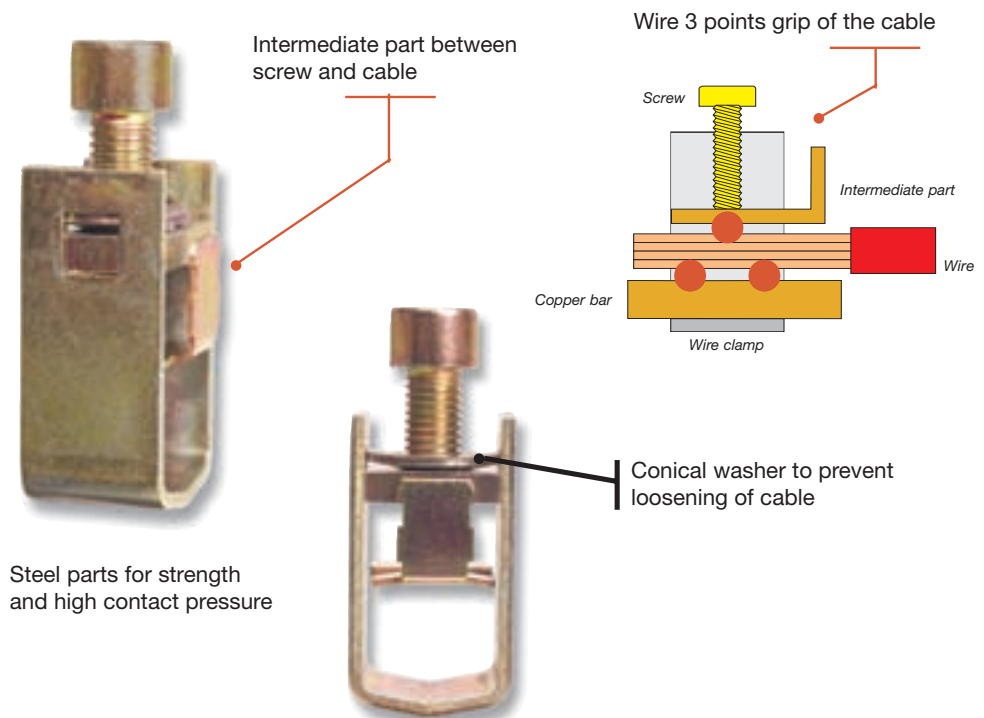


STUD / SCREW CLAMP : SAME SAFETY FEATURES

Stud connection



Screw clamp connection



D